

Visible Light Emitting Diode

Features:

- High Output Power
- High Reliability

Applications:

- Optical Sensor
- Optical Switches
- Medical Applications

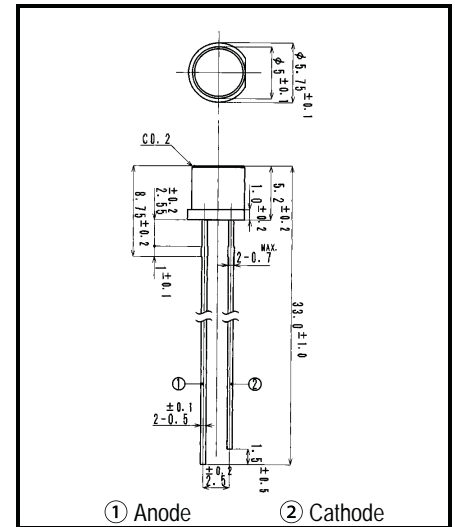


Absolute Maximum Ratings (Ta=25°C)

Items	Symbol	Ratings	Unit
Forward Current (DC)	IF	50	mA
Forward Current (Pulse)*1	IFP	0.5	A
Reverse Voltage	VR	5	V
Power Dissipation	PD	110	mW
Operating Temperature	Topr	-20 ~ +80	°C
Storage Temperature	Tstg	-30 ~ +100	°C
Junction Temperature	Tj	100	°C
Lead Soldering Temperature*2	Tls	260	°C

*1: Tw=10μs, T=10ms

*2: Time 3 Sec. Max, Positions: Up to 2mm from the body



Electrical & Optical Characteristics (Ta = 25°C)

Items	Symbol	Conditions	Min	Typ	Max	Unit
Power Output	PO	IF=20mA	--	5.5	--	mW
Forward Voltage	VF	IF=20mA	--	1.8	1.95	V
Reverse Current	IR	VR=5V	--	--	10	μA
Peak Wavelength	λp	IF=20mA	--	680	--	nm
Spectral Line Half Width	Δλ	IF=20mA	--	30	--	nm
Half Intensity Beam Angle	θ	IF=20mA	--	±35	--	deg.

Graphs:

