

# SYNCHRONOUS DRAM MODULE

**MT8LSDT3264A(I) - 256MB**  
**MT16LSDT6464A(I) - 512MB**

For the latest data sheet, please refer to the Micron Web site: [www.micron.com/modules](http://www.micron.com/modules)

## Features

- PC100- and PC133-compliant
- JEDEC-standard 168-pin, dual in-line memory module (DIMM)
- Unbuffered
- 256MB (32 Meg x 64), 512MB (64 Meg x 64)
- Single +3.3V  $\pm 0.3V$  power supply
- Fully synchronous; all signals registered on positive edge of system clock
- Internal pipelined operation; column address can be changed every clock cycle
- Internal SDRAM banks for hiding row access/precharge
- Programmable burst lengths: 1, 2, 4, 8, or full page
- Auto Precharge, including Concurrent Auto Precharge, and Auto Refresh Modes
- 64ms, 8,192 cycle Auto Refresh cycle
- Self Refresh Mode
- LVTTTL-compatible inputs and outputs
- Serial Presence-Detect (SPD)

## OPTIONS

- Package  
Unbuffered  
168-pin DIMM (gold)
- Operating Temperature Range  
Commercial (0°C to +70°C)  
Industrial (-40°C to +85°C)<sup>1</sup>
- Memory Clock/CAS Latency  
(133 MHz)/CL = 2  
(133 MHz)/CL = 3  
(100 MHz)/CL = 2

## MARKING

A  
G  
None  
I  
-13E  
-133  
-10E

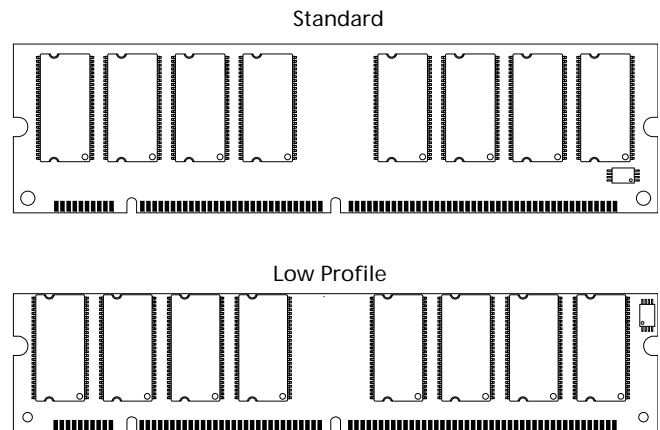
NOTE:

1. Consult Micron for availability; Industrial Temperature Option available in -133 speed only.

**Table 1: Address Table**

	256MB MODULE	512MB MODULE
Refresh Count	8K	8K
Device Banks	4 (BA0, BA1)	4 (BA0, BA1)
Device Configuration	32 Meg x 8	32 Meg x 8
Row Addressing	8K (A0-A12)	8K (A0-A12)
Column Addressing	1K (A0-A9)	1K (A0-A9)
Module Banks	1 (S0,S2)	2 (S0,S2; S1,S3)

**Figure 1: 168-Pin DIMM (MO-161)**



**Table 2: Timing parameters**

MODULE MARKINGS	PC100 CL - <sup>t</sup> RCD - <sup>t</sup> RP	PC133 CL - <sup>t</sup> RCD - <sup>t</sup> RP
-13E	2 - 2 - 2	2 - 2 - 2
-133	2 - 2 - 2	3 - 3 - 3
-10E	2 - 2 - 2	NA

**Table 3: Part Numbers**

PARTNUMBER <sup>1</sup>	CONFIGURATION	SYSTEM BUS SPEED
MT8LSDT3264AG-13E_	32 Meg x 64	133 MHz
MT8LSDT3264AG(I)-133_	32 Meg x 64	133 MHz
MT8LSDT3264AG-10E_	32 Meg x 64	100 MHz
MT16LSDT6464AG-13E_	64 Meg x 64	133 MHz
MT16LSDT6464AG(I)-133_	64 Meg x 64	133 MHz
MT16LSDT6464AG-10E_	64 Meg x 64	100 MHz

NOTE:

1. The designators for component and PCB revision are the last two characters of each part number. Consult factory for current revision codes. Example: MT8LSDT3264AG-133B1.

**Table 4: Pin Assignment, Standard PCB (168-Pin DIMM Front)**

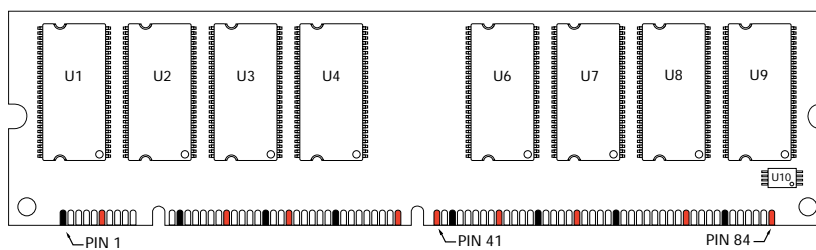
PIN	SYMBOL	PIN	SYMBOL	PIN	SYMBOL	PIN	SYMBOL
1	Vss	22	NC	43	Vss	64	Vss
2	DQ0	23	Vss	44	NC	65	DQ21
3	DQ1	24	NC	45	S2#	66	DQ22
4	DQ2	25	NC	46	DQMB2	67	DQ23
5	DQ3	26	VDD	47	DQMB3	68	Vss
6	VDD	27	WE#	48	NC	69	DQ24
7	DQ4	28	DQMB0	49	VDD	70	DQ25
8	DQ5	29	DQMB1	50	NC	71	DQ26
9	DQ6	30	S0#	51	NC	72	DQ27
10	DQ7	31	NC	52	NC	73	VDD
11	DQ8	32	Vss	53	NC	74	DQ28
12	Vss	33	A0	54	Vss	75	DQ29
13	DQ9	34	A2	55	DQ16	76	DQ30
14	DQ10	35	A4	56	DQ17	77	DQ31
15	DQ11	36	A6	57	DQ18	78	Vss
16	DQ12	37	A8	58	DQ19	79	CK2
17	DQ13	38	A10	59	VDD	80	NC
18	VDD	39	BA1	60	DQ20	81	NC
19	DQ14	40	VDD	61	NC	82	SDA
20	DQ15	41	VDD	62	NC	83	SCL
21	NC	42	CK0	63	CKE1	84	VDD

**Table 5: Pin Assignment, Standard PCB (168-Pin DIMM Back)**

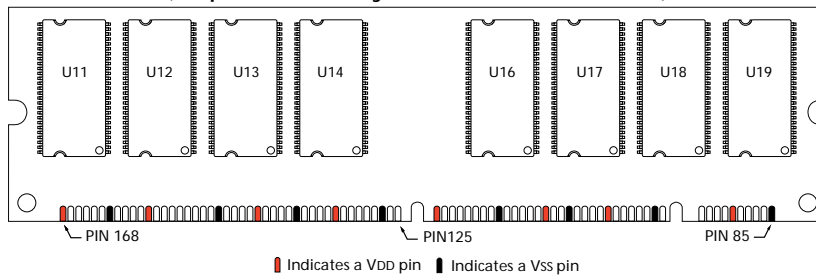
PIN	SYMBOL	PIN	SYMBOL	PIN	SYMBOL	PIN	SYMBOL
85	Vss	106	NC	127	Vss	148	Vss
86	DQ32	107	Vss	128	CKE0	149	DQ53
87	DQ33	108	NC	129	S3#	150	DQ54
88	DQ34	109	NC	130	DQMB6	151	DQ55
89	DQ35	110	VDD	131	DQMB7	152	Vss
90	VDD	111	CAS#	132	NC	153	DQ56
91	DQ36	112	DQMB4	133	VDD	154	DQ57
92	DQ37	113	DQMB5	134	NC	155	DQ58
93	DQ38	114	S1#	135	NC	156	DQ59
94	DQ39	115	RAS#	136	NC	157	VDD
95	DQ40	116	Vss	137	NC	158	DQ60
96	Vss	117	A1	138	Vss	159	DQ61
97	DQ41	118	A3	139	DQ48	160	DQ62
98	DQ42	119	A5	140	DQ49	161	DQ63
99	DQ43	120	A7	141	DQ50	162	Vss
100	DQ44	121	A9	142	DQ51	163	CK3
101	DQ45	122	BA0	143	VDD	164	NC
102	VDD	123	A11	144	DQ52	165	SA0
103	DQ46	124	VDD	145	NC	166	SA1
104	DQ47	125	CK1	146	NC	167	SA2
105	NC	126	A12	147	NC	168	VDD

**Figure 2: PIN Locations (168-PIN DIMM)**

Front View



Back View (Populated only for 512MB module)



■ Indicates a VDD pin ■ Indicates a Vss pin

See Figure 10, 256MB Module Dimensions, on page 23 and Figure 11, 512MB Module Dimensions, on page 24 for module dimensions.

**Table 6: Pin Descriptions**

Pin numbers may not correlate with symbols. Refer to the Pin Assignment table for pin number and symbol information.

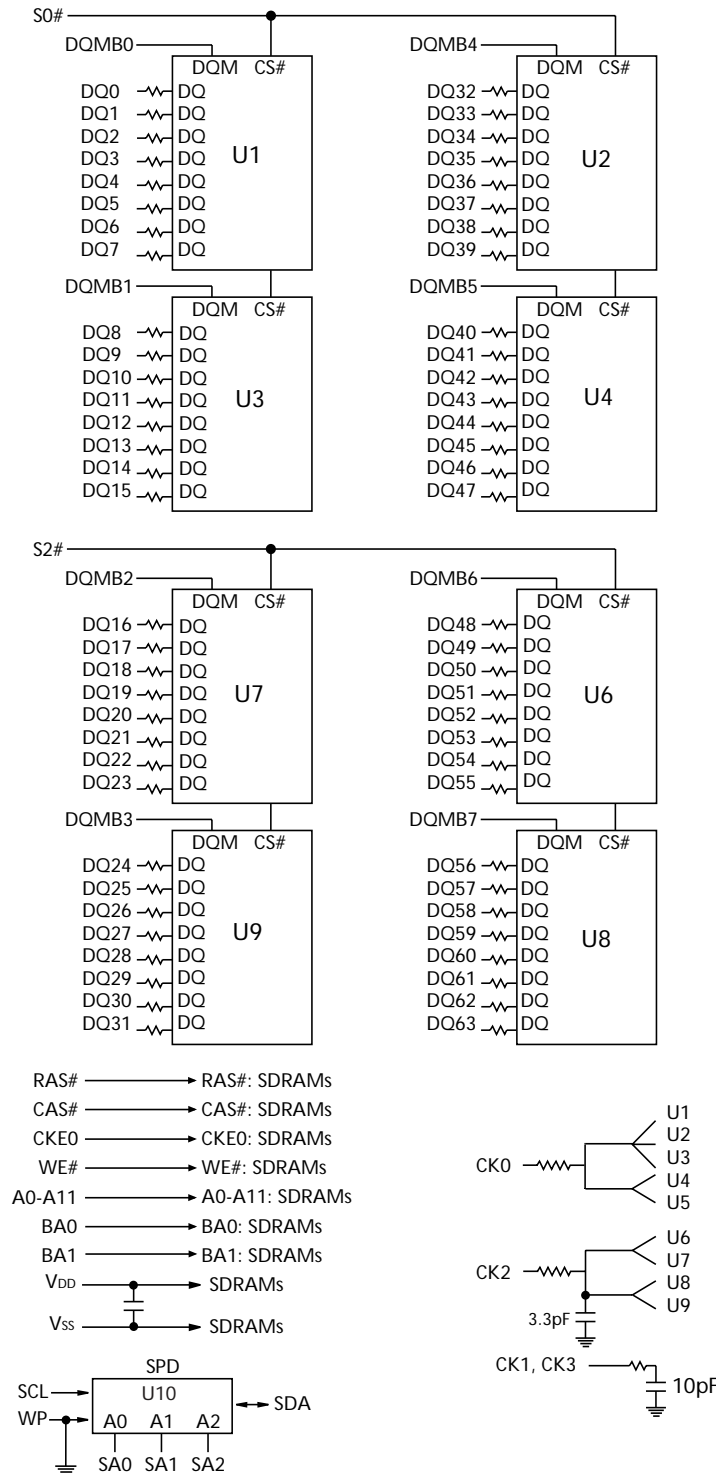
PIN NUMBERS	SYMBOL	TYPE	DESCRIPTION
27, 111, 115	RAS#, CAS#, WE#	Input	Command Inputs: RAS#, CAS#, and WE# (along with S#) define the command being entered.
42, 79, 125, 163	CK0-CK3	Input	Clock: CK is driven by the system clock. All SDRAM input signals are sampled on the positive edge of CK. CK also increments the internal burst counter and controls the output registers.
63, 128	CKE0, CKE1	Input	Clock Enable: CKE activates (HIGH) and deactivates (LOW) the CK signal. Deactivating the clock provides PRECHARGE POWER-DOWN and SELF REFRESH operation (all device banks idle) or CLOCK SUSPEND OPERATION (burst access in progress). CKE is synchronous except after the device enters power-down and self refresh modes, where CKE becomes asynchronous until after exiting the same mode. The input buffers, including CK, are disabled during power-down and self refresh modes, providing low standby power.
30, 45, 114, 129	S0# -S3#	Input	Chip Select: S# enables (registered LOW) and disables (registered HIGH) the command decoder. All commands are masked when S# is registered HIGH. S# is considered part of the command code.
28, 29, 46, 47, 112, 113, 130, 131	DQMB0-DQMB7	Input	Input/Output Mask: DQMB is an input mask signal for write accesses and an output enable signal for read accesses. Input data is masked when DQMB is sampled HIGH during a WRITE cycle. The output buffers are placed in a High-Z state (two-clock latency) when DQMB is sampled HIGH during a READ cycle.
39, 122	BA0, BA1	Input	Bank Address: BA0 and BA1 define to which device bank the ACTIVE, READ, WRITE, or PRECHARGE command is being applied.
33 - 38, 117 - 121, 123, 126	A0-A12	Input	Address Inputs: Provide the row address for ACTIVE commands, and the column address and auto prcharge bit (A10) for READ/WRITE commands, to select one location out of the memory array in the respective device bank. A10 sampled during a PRECHARGE command determines whether the PRECHARGE applies to one device bank (A10 LOW, device bank selected by BA0, BA1) or all device banks (A10 HIGH). The address inputs also provide the op-code during a MODE REGISTER SET command.
83	SCL	Input	Serial Clock for Presence-Detect: SCL is used to synchronize the presence-detect data transfer to and from the module.
165-167	SA0-SA2	Input	Presence-Detect Address Inputs: These pins are used to configure the presence-detect device.
2-5, 7-11, 13-17, 19-20, 55-58, 60, 65-67, 69-72, 74-77, 86-89, 91-95, 97-101, 103-104, 139-142, 144, 149-151, 153-156, 158-161	DQ0-DQ63	Input/Output	Data I/O: Data bus.
82	SDA	Input/Output	Serial Presence-Detect Data: SDA is a bidirectional pin used to transfer addresses and data into and out of the presence-detect portion of the module.

**Table 6: Pin Descriptions (Continued)**

Pin numbers may not correlate with symbols. Refer to the Pin Assignment table for pin number and symbol information.

PIN NUMBERS	SYMBOL	TYPE	DESCRIPTION
6, 18, 26, 40, 41, 49, 59, 73, 84, 90, 102, 110, 124, 133, 143, 157, 168	VDD	Supply	Power Supply: +3.3V ±0.3V.
1, 12, 23, 32, 43, 54, 64, 68, 78, 85, 96, 107, 116, 127, 138, 148, 152, 162	Vss	Supply	Ground.
21-22, 24-25, 31, 44, 48, 50-53, 61-62, 80, 81, 105-106, 108-109, 132, 134-137, 145-147, 164	NC	-	Not Connected: These pins are not connected on these modules.

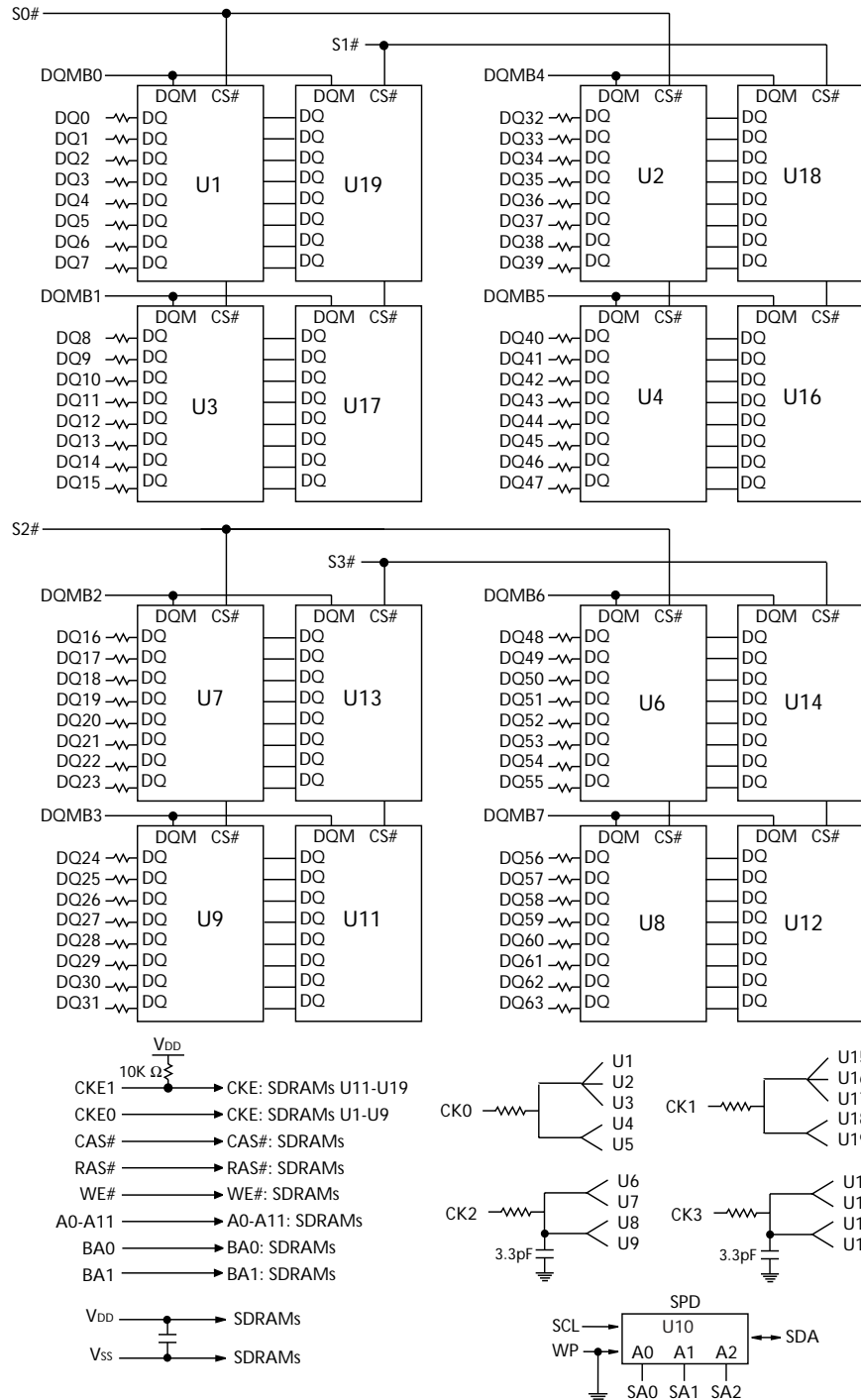
**Figure 3: Functional Block Diagram  
Single Bank Modules**



Notes:  
All resistor values are 10Ω unless otherwise specified.  
Per industry standard, Micron modules use various component speed grades as referenced in the module part numbering guide at:  
[www.micron.com/numberguide](http://www.micron.com/numberguide).

SDRAMs = MT48LC32M8A2TG, Commercial Temperature  
SDRAMs = MT48LC32M8A2TG-75 IT, Industrial Temperature

**Figure 4: Functional Block Diagram  
Dual Bank Modules**



## General Description

The MT8LSDT13264A(I) and MT16LSDT6464A(I) are high-speed CMOS, dynamic random-access, 256MB and 512MB memory modules organized in x64 configurations. These modules use internally configured quad-bank SDRAMs with a synchronous interface (all signals are registered on the positive edge of the clock signals CK0-CK3).

Read and write accesses to the SDRAM modules are burst oriented; accesses start at a selected location and continue for a programmed number of locations in a programmed sequence. Accesses begin with the registration of an ACTIVE command, which is then followed by a READ or WRITE command. The address bits registered coincident with the ACTIVE command are used to select the device bank and row to be accessed (BA0, BA1 select the device bank; A0-A12 select the device row). The address bits registered coincident with the READ or WRITE command are used to select the starting column location for the burst access.

The modules provide for programmable READ or WRITE burst length of 1, 2, 4, or 8 locations, or the full page, with a burst terminate option. An AUTO PRECHARGE function may be enabled to provide a self-timed row precharge that is initiated at the end of the burst sequence.

The modules use an internal pipelined architecture to achieve high-speed operation. This architecture is compatible with the  $2n$  rule of prefetch architectures, but it also allows the column address to be changed on every clock cycle to achieve a high-speed, fully random access. Precharging one device bank while accessing one of the other three device banks will hide the precharge cycles and provide seamless, high-speed, random-access operation.

The modules are designed to operate in 3.3V, low-power memory systems. An auto refresh mode is provided, along with a power-saving, power-down mode. All inputs and outputs are LVTTTL-compatible.

SDRAM modules offer substantial advances in DRAM operating performance, including the ability to synchronously burst data at a high data rate with automatic column-address generation, the ability to interleave between internal banks in order to hide precharge time and the capability to randomly change column addresses on each clock cycle during a burst access. For more information regarding SDRAM operation, refer to the 256Mb SDRAM component data sheet.

## Serial Presence-Detect Operation

These modules incorporate serial presence-detect (SPD). The SPD function is implemented using a 2,048-bit EEPROM. This nonvolatile storage device contains 256 bytes. The first 128 bytes can be programmed by Micron to identify the module type and various SDRAM organizations and timing parameters. The remaining 128 bytes of storage are available for use by the customer. System READ/WRITE operations between the master (system logic) and the slave EEPROM device (DIMM) occur via a standard I<sup>2</sup>C bus using the DIMM's SCL (clock) and SDA (data) signals, together with SA (2:0), which provide eight unique DIMM/EEPROM addresses.

## SDRAM Functional Description

In general, the 256Mb SDRAMs are quad-bank DRAMs that operate at 3.3V and include a synchronous interface (all signals are registered on the positive edge of the clock signal, CLK). The four banks of the x8 configured devices used for these modules are configured as 8,192 bit-rows by 1,024 bit-columns, by 8 input/output bits.

Read and write accesses to the SDRAM are burst oriented; accesses start at a selected location and continue for a programmed number of locations in a programmed sequence. Accesses begin with the registration of an ACTIVE command, which is then followed by a READ or WRITE command. The address bits registered coincident with the active command are used to select the device bank and row to be accessed; BA0 and BA1 select the device bank, A0-A12 select the device row. The address bits A0-A9 registered coincident with the READ or WRITE command are used to select the starting device column location for the burst access.

Prior to normal operation, the SDRAM must be initialized. The following sections provide detailed information covering device initialization, register definition, command descriptions and device operation.

## Initialization

SDRAMS must be powered up and initialized in a predefined manner. Operational procedures other than those specified may result in undefined operation. Once power is applied to VDD and VDDQ (simultaneously) and the clock is stable (stable clock is defined as a signal cycling within timing constraints specified for the clock pin), the SDRAM requires a 100 $\mu$ s delay prior to issuing any command other than a COM-



MAND INHIBIT or NOP. Starting at some point during this 100 $\mu$ s period and continuing at least through the end of this period, COMMAND INHIBIT or NOP commands should be applied.

Once the 100 $\mu$ s delay has been satisfied with at least one COMMAND INHIBIT or NOP command having been applied, a PRECHARGE command should be applied. All device banks must then be precharged, thereby placing the device in the all banks idle state.

Once in the idle state, two AUTO REFRESH cycles must be performed. After the AUTO REFRESH cycles are complete, the SDRAM is ready for mode register programming. Because the mode register will power up in an unknown state, it should be loaded prior to applying any operational command.

### Mode Register Definition

The mode register is used to define the specific mode of operation of the SDRAM. This definition includes the selection of a burst length, a burst type, a CAS latency, an operating mode and a write burst mode, as shown in Figure 5, Mode Register Definition Diagram, on page 8. The mode register is programmed via the LOAD MODE REGISTER command and will retain the stored information until it is programmed again or the device loses power.

Mode register bits M0–M2 specify the burst length, M3 specifies the type of burst (sequential or interleaved), M4–M6 specify the CAS latency, M7 and M8 specify the operating mode, M9 specifies the write burst mode, and M10 and M11 are reserved for future use.

The mode register must be loaded when all device banks are idle, and the controller must wait the specified time before initiating the subsequent operation. Violating either of these requirements will result in unspecified operation.

### Burst Length

Read and write accesses to the SDRAM are burst oriented, with the burst length being programmable, as shown in Figure 5, Mode Register Definition Diagram, on page 8. The burst length determines the maximum number of column locations that can be accessed for a given READ or WRITE command. Burst lengths of 1, 2, 4, or 8 locations are available for both the sequential and the interleaved burst types, and a full-page burst is available for the sequential type. The full-page burst is used in conjunction with the BURST TERMINATE command to generate arbitrary burst lengths.

**Figure 5: Mode Register Definition**

Reserved states should not be used, as unknown operation or incompatibility with future versions may result.

When a READ or WRITE command is issued, a block of columns equal to the burst length is effectively selected. All accesses for that burst take place within this block, meaning that the burst will wrap within the block if a boundary is reached, as shown in the Burst Definition Table. The block is uniquely selected by A1–A9 when the burst length is set to two; A2–A9 when the burst length is set to four; and by A3–A9 when the burst length is set to eight. The remaining (least significant) address bit(s) is (are) used to select the starting location within the block. Full-page bursts wrap within the page if the boundary is reached, as shown in Table 7, Burst Definitions, on page 9.

### Burst Type

Accesses within a given burst may be programmed to be either sequential or interleaved; this is referred to as the burst type and is selected via bit M3.

The ordering of the accesses within a burst is determined by the burst length, the burst type, and the starting column address, as shown in Table 7, Burst Definitions, on page 9.



### Diagram

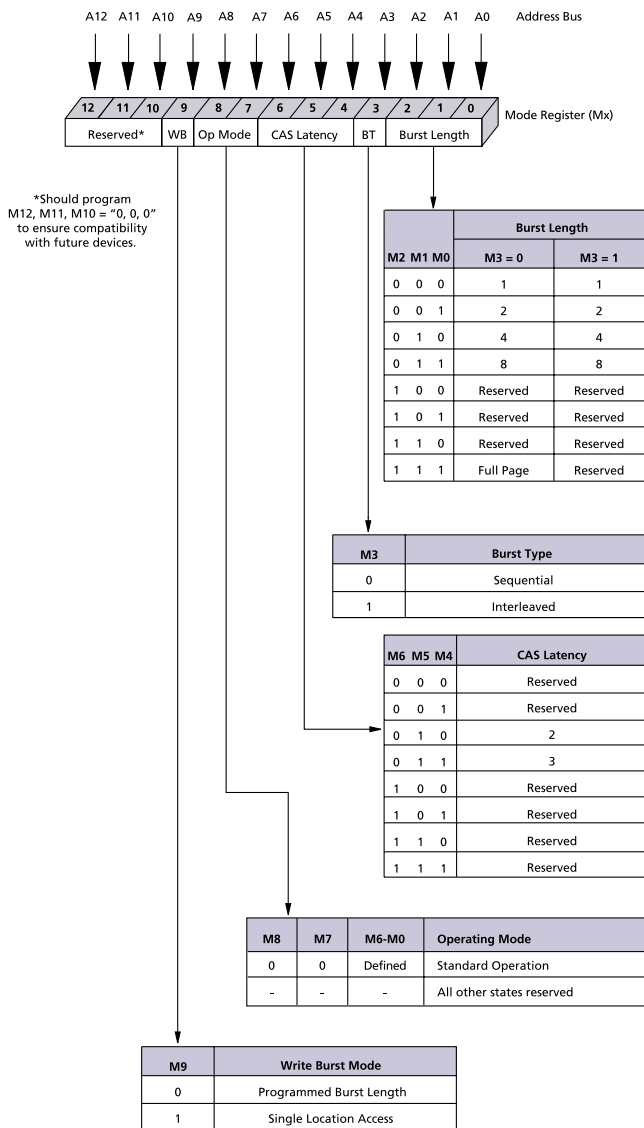


Table 7: Burst Definitions

BURST LENGTH	STARTING COLUMN ADDRESS	ORDER OF ACCESSES WITHIN A BURST	
		TYPE = SEQUENTIAL	TYPE = INTERLEAVED
2	<b>A0</b>		
	0	0-1	0-1
	1	1-0	1-0
4	<b>A1 A0</b>		
	0 0	0-1-2-3	0-1-2-3
	0 1	1-2-3-0	1-0-3-2
	1 0	2-3-0-1	2-3-0-1
	1 1	3-0-1-2	3-2-1-0
8	<b>A2 A1 A0</b>		
	0 0 0	0-1-2-3-4-5-6-7	0-1-2-3-4-5-6-7
	0 0 1	1-2-3-4-5-6-7-0	1-0-3-2-5-4-7-6
	0 1 0	2-3-4-5-6-7-0-1	2-3-0-1-6-7-4-5
	0 1 1	3-4-5-6-7-0-1-2	3-2-1-0-7-6-5-4
	1 0 0	4-5-6-7-0-1-2-3	4-5-6-7-0-1-2-3
	1 0 1	5-6-7-0-1-2-3-4	5-4-7-6-1-0-3-2
	1 1 0	6-7-0-1-2-3-4-5	6-7-4-5-2-3-0-1
1 1 1	7-0-1-2-3-4-5-6	7-6-5-4-3-2-1-0	
Full Page (y)	n= A0-A11/9/8 (location 0 - y)	Cn, Cn+1, Cn+2 Cn+3, Cn+4... ...Cn-1, Cn...	Not Supported

NOTE:

1. For full-page accesses: y = 1,024
2. For a burst length of two, A1-A9 select the block of two burst; A0 selects the starting column within the block.
3. For a burst length of four, A2-A9 select the block of four burst; A0-A1 select the starting column within the block.
4. For a burst length of eight, A3-A9 select the block of eight burst; A0-A2 select the starting column within the block.
5. For a full-page burst, the full row is selected and A0-A9 select the starting column.
6. Whenever a boundary of the block is reached within a given sequence above, the following access wraps within the block.
7. For a burst length of one, A0-A9 select the unique column to be accessed, and Mode Register bit M3 is ignored. For a full-page burst, the full row is selected and A0-A8 select the starting column.

### CAS Latency

The CAS latency is the delay, in clock cycles, between the registration of a READ command and the availability of the first piece of output data. The latency can be set to two or three clocks.

If a READ command is registered at clock edge  $n$ , and the latency is  $m$  clocks, the data will be available by clock edge  $n + m$ . The DQs will start driving as a result of the clock edge one cycle earlier ( $n + m - 1$ ), and provided that the relevant access times are met, the data will be valid by clock edge  $n + m$ . For example, assuming that the clock cycle time is such that all relevant access times are met, if a READ command is registered at  $T_0$  and the latency is programmed to two clocks, the DQs will start driving after  $T_1$  and the data will be valid by  $T_2$ , as shown in Figure 6, CAS Latency Diagram. Table 8, CAS Latency Table, indicates the operating frequencies at which each CAS latency setting can be used.

Reserved states should not be used as unknown operation or incompatibility with future versions may result.

### Operating Mode

The normal operating mode is selected by setting M7 and M8 to zero; the other combinations of values for M7 and M8 are reserved for future use and/or test modes. The programmed burst length applies to both READ and WRITE bursts.

Test modes and reserved states should not be used because unknown operation or incompatibility with future versions may result.

### Write Burst Mode

When M9 = 0, the burst length programmed via M0–M2 applies to both READ and WRITE bursts; when M9 = 1, the programmed burst length applies to READ bursts, but write accesses are single-location (non-burst) accesses.

Figure 6: CAS Latency Diagram

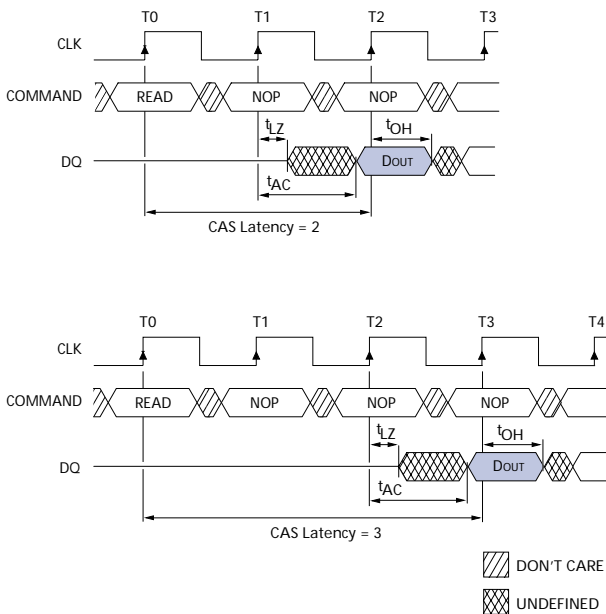


Table 8: CAS Latency Table

SPEED	ALLOWABLE OPERATING CLOCK FREQUENCY (MHZ)	
	CAS LATENCY = 2	CAS LATENCY = 3
-13E	≤ 133	≤ 143
-133	≤ 100	≤ 133
-10E	≤ 100	NA

## Commands

The Truth Table provides a quick reference of available commands. This is followed by written description of each command. For a more detailed descrip-

tion of commands and operations, refer to the 256Mb SDRAM component data sheet.

**Table 9: Truth Table – SDRAM Commands and DQMB Operation**

CKE is HIGH for all commands shown except SELF REFRESH; notes appear following the Truth Table

NAME (FUNCTION)	CS#	RAS#	CAS#	WE#	DQMB	ADDR	DQ	NOTES
COMMAND INHIBIT (NOP)	H	X	X	X	X	X	X	
NO OPERATION (NOP)	L	H	H	H	X	X	X	
ACTIVE (Select bank and activate row)	L	L	H	H	X	Bank/Row	X	1
READ (Select bank and column, and start READ burst)	L	H	L	H	L/H	Bank/Col	X	2
WRITE (Select bank and column, and start WRITE burst)	L	H	L	L	L/H	Bank/Col	Valid	2
BURST TERMINATE	L	H	H	L	X	X	Active	
PRECHARGE (Deactivate row in bank or banks)	L	L	H	L	X	Code	X	3
AUTO REFRESH or SELF REFRESH (Enter self refresh mode)	L	L	L	H	X	X	X	4, 5
LOAD MODE REGISTER	L	L	L	L	X	Op-code	X	6
Write Enable/Output Enable	-	-	-	-	L	-	Active	7
Write Inhibit/Output High-Z	-	-	-	-	H	-	High-Z	7

NOTE:

1. A0–A12 provide row address; BA0–BA1 determine which device bank is made active.
2. A0–A9 provide column address; A10 HIGH enables the auto-precharge feature (nonpersistent), while A10 LOW disables the auto-precharge feature; BA0–BA1 determine which device bank is being read from or written to.
3. A10 LOW: BA0–BA1 determine which device bank is being precharged. A10 HIGH: all device banks are precharged and BA0, BA1 are “Don’t Care.”
4. This command is AUTO REFRESH if CKE is HIGH, SELF REFRESH if CKE is LOW.
5. Internal refresh counter controls row addressing; all inputs and I/Os are “Don’t Care” except for CKE.
6. A0–A11 define the op-code written to the mode register and A12 should be driven LOW.
7. Activates or deactivates the DQs during WRITES (zero-clock delay) and READs (two-clock delay).

### Absolute Maximum Ratings

Stresses greater than those listed may cause permanent damage to the device. This is a stress rating only, and functional operation of the device at these or any other conditions above those indicated in the opera-

tional sections of this specification is not implied. Exposure to absolute maximum rating conditions for extended periods may affect reliability.

Voltage on VDD, VDDQ Supply  
Relative to VSS. . . . . -1V to +4.6V  
Voltage on Inputs NC or I/O Pins  
Relative to VSS. . . . . -1V to +4.6V  
Operating Temperature  
T<sub>A</sub> (Commercial) . . . . . 0°C to +70°C  
T<sub>A</sub> (Industrial). . . . . -40°C to +85°C

Storage Temperature (plastic) . . . . . -55°C to +150°C  
Power Dissipation, 256MB . . . . . 8W  
Power Dissipation, 512MB . . . . . 16W

**Table 10: DC Electrical Characteristics and Operating Conditions – 256MB Module**

Notes: 1, 5, 6; notes appear on page 17; VDD, VDDQ = +3.3V ±0.3V

PARAMETER/CONDITION	SYMBOL	MIN	MAX	UNITS	NOTES
SUPPLY VOLTAGE	VDD, VDDQ	3	3.6	V	
INPUT HIGH VOLTAGE: Logic 1; All inputs	V <sub>IH</sub>	2	VDD + 0.3	V	22
INPUT LOW VOLTAGE: Logic 0; All inputs	V <sub>IL</sub>	-0.3	0.8	V	22
INPUT LEAKAGE CURRENT: Any input 0V ≤ VIN ≤ VDD (All other pins not under test = 0V)	Command and Address Inputs, CKE	-40	40	μA	33
	CK, S#	-20	20	μA	
	DQ, DQMB	-5	5	μA	
OUTPUT LEAKAGE CURRENT: DQ pins are disabled; 0V ≤ VOUT ≤ VDDQ	I <sub>OZ</sub>	-5	5	μA	33
OUTPUT LEVELS: Output High Voltage (I <sub>OUT</sub> = -4mA) Output Low Voltage (I <sub>OUT</sub> = 4mA)	V <sub>OH</sub>	2.4	-	V	
	V <sub>OL</sub>	-	0.4	V	

**Table 11: DC Electrical Characteristics and Operating Conditions – 512MB Module**

Notes: 1, 5, 6; notes appear on page 17; VDD, VDDQ = +3.3V ±0.3V

PARAMETER/CONDITION	SYMBOL	MIN	MAX	UNITS	NOTES
SUPPLY VOLTAGE	VDD, VDDQ	3	3.6	V	
INPUT HIGH VOLTAGE: Logic 1; All inputs	V <sub>IH</sub>	2	VDD + 0.3	V	22
INPUT LOW VOLTAGE: Logic 0; All inputs	V <sub>IL</sub>	-0.3	0.8	V	22
INPUT LEAKAGE CURRENT: Any input 0V ≤ VIN ≤ VDD (All other pins not under test = 0V)	Command and Address Inputs, CKE	-80	80	μA	33
	CK, S#	-20	20	μA	
	DQ, DQMB	-10	10	μA	
OUTPUT LEAKAGE CURRENT: DQ pins are disabled; 0V ≤ VOUT ≤ VDDQ	I <sub>OZ</sub>	-10	10	μA	33
OUTPUT LEVELS: Output High Voltage (I <sub>OUT</sub> = -4mA) Output Low Voltage (I <sub>OUT</sub> = 4mA)	V <sub>OH</sub>	2.4	-	V	
	V <sub>OL</sub>	-	0.4	V	

**Table 12: IDD Specifications and Conditions – 256MB Module**

Notes: 1, 5, 6, 11, 13; notes appear on page 17; VDD, VDDQ = +3.3v ±0.3v; SDRAM component values only

PARAMETER/CONDITION	SYMBOL	MAX			UNITS	NOTES	
		-13E	-133	-10E			
OPERATING CURRENT: Active Mode; Burst = 2; READ or WRITE; t <sub>RC</sub> = t <sub>RC</sub> (MIN)	IDD1	1,080	1,080	1,080	mA	3, 18,19, 22	
STANDBY CURRENT: Power-Down Mode; All device device banks idle; CKE = LOW	IDD2	16	16	16	mA	22	
STANDBY CURRENT: Active Mode; CKE = HIGH; CS# = HIGH; All device banks active after t <sub>RCD</sub> met; No accesses in progress	IDD3	320	320	320	mA	3, 12, 19, 22	
OPERATING CURRENT: Burst Mode; Continuous burst; READ or WRITE; All device banks active	IDD4	1,080	1,080	1,080	mA	3, 18, 19, 22	
AUTO REFRESH CURRENT	t <sub>RFC</sub> = t <sub>RFC</sub> (MIN)	IDD5	2,280	2,160	2,160	mA	3, 12
CKE = HIGH; CS# = HIGH	t <sub>RFC</sub> = 7.8125μs	IDD6	28	28	28	mA	18, 19, 22, 31
SELF REFRESH CURRENT: CKE ≤ 0.2V	IDD7	20	20	20	mA	4	

**Table 13: IDD Specifications and Conditions – 512MB Module**

Notes: 1, 6, 11, 13; notes appear on page 17; VDD, VDDQ = +3.3V ±0.3V; SDRAM component values only

PARAMETER/CONDITION	SYMBOL	MAX			UNITS	NOTES	
		-13E	-133	-10E			
OPERATING CURRENT: Active Mode; Burst = 2; READ or WRITE; t <sub>RC</sub> = t <sub>RC</sub> (MIN)	IDD1 <sup>a</sup>	1,096	1,016	1,016	mA	3, 18,19, 22	
STANDBY CURRENT: Power-Down Mode; All device device banks idle; CKE = LOW	IDD2 <sup>b</sup>	32	32	32	mA	22	
STANDBY CURRENT: Active Mode; CKE = HIGH; CS# = HIGH; All device banks active after t <sub>RCD</sub> met; No accesses in progress	IDD3 <sup>a</sup>	336	336	336	mA	3, 12, 19, 22	
OPERATING CURRENT: Burst Mode; Continuous burst; READ or WRITE; All device banks active	IDD4 <sup>a</sup>	1,096	1,096	1,096	mA	3, 18, 19, 22	
AUTO REFRESH CURRENT	t <sub>RFC</sub> = t <sub>RFC</sub> (MIN)	IDD5 <sup>b</sup>	4,560	4,320	4,320	mA	3, 12
CKE = HIGH; CS# = HIGH	t <sub>RFC</sub> = 7.8125μs	IDD6 <sup>b</sup>	56	56	56	mA	18, 19, 22, 31
SELF REFRESH CURRENT: CKE ≤ 0.2V	IDD7 <sup>b</sup>	40	40	40	mA	4	

NOTE:

- a - Value calculated as one module bank in this condition, and all other module banks in Power-Down Mode (IDD2).
- b - Value calculated reflects all module banks in this condition.

**Table 14: Capacitance – 256MB Module**

Note 2; notes appear on page 17

PARAMETER	SYMBOL	MIN	MAX	UNITS
Input Capacitance: A0-A12, BA0, BA1, RAS#, CAS#, WE#	C <sub>11</sub>	20	30.4	pF
Input Capacitance: CK	C <sub>12</sub>	13.3	17.3	pF
Input Capacitance: S#	C <sub>13</sub>	10	15.2	pF
Input Capacitance: CKE	C <sub>14</sub>	20	30.4	pF
Input Capacitance: DQMB	C <sub>15</sub>	2.5	3.8	pF
Input/Output Capacitance: SCL, SA, SDA	C <sub>16</sub>	–	10	pF
Input/Output Capacitance: DQ	C <sub>10</sub>	4	6	pF

**Table 15: Capacitance – 512MB Module**

Note 2; notes appear on page 17

PARAMETER	SYMBOL	MIN	MAX	UNITS
Input Capacitance: A0-A12, BA0, BA1, RAS#, CAS#, WE#	C <sub>11</sub>	40	60.8	pF
Input Capacitance: CK	C <sub>12</sub>	13.3	17.3	pF
Input Capacitance: S#	C <sub>13</sub>	10	15.2	pF
Input Capacitance: CKE	C <sub>14</sub>	20	30.4	pF
Input Capacitance: DQMB	C <sub>15</sub>	5	7.6	pF
Input/Output Capacitance: SCL, SA, SDA	C <sub>16</sub>	–	10	pF
Input/Output Capacitance: DQ	C <sub>10</sub>	8	12	pF

**Table 16: Electrical Characteristics and Recommended AC Operating Conditions**

Notes: 5, 6, 8, 9, 11; notes appear on page 17

Module AC timing parameters comply with PC100 and PC133 Design Specs, based on component parameters

AC CHARACTERISTICS			-13E		-133		-10E			
PARAMETER	SYMBOL	MIN	MAX	MIN	MAX	MIN	MAX	UNITS	NOTES	
Access time from CLK (pos. edge)	CL=3	$t_{AC(3)}$		5.4		5.4		6	ns	27
	CL=2	$t_{AC(2)}$		5.4		6		6	ns	
Address hold time		$t_{AH}$	0.8		0.8		1		ns	
Address setup time		$t_{AS}$	1.5		1.5		2		ns	
CLK high-level width		$t_{CH}$	2.5		2.5		3		ns	
CLK low-level width		$t_{CL}$	2.5		2.5		3		ns	
Clock cycle time	CL=3	$t_{CK(3)}$	7		7.5		8		ns	23
	CL = 2	$t_{CK(2)}$	7.5		10		10		ns	23
CKE hold time		$t_{CKH}$	0.8		0.8		1		ns	
CKE setup time		$t_{CKS}$	1.5		1.5		2		ns	
CS#, RAS#, CAS#, WE#, DQM hold time		$t_{CMH}$	0.8		0.8		1		ns	
CS#, RAS#, CAS#, WE#, DQM setup time		$t_{CMS}$	1.5		1.5		2		ns	
Data-in hold time		$t_{DH}$	0.8		0.8		1		ns	
Data-in setup time		$t_{DS}$	1.5		1.5		2		ns	
Data-out high-impedance time	CL = 3	$t_{HZ(3)}$		5.4		5.4		6	ns	10
	CL = 2	$t_{HZ(2)}$		5.4		6		6	ns	10
Data-out low-impedance time		$t_{LZ}$	1		1		1		ns	
Data-out hold time (load)		$t_{OH}$	3		3		3		ns	
Data-out hold time (no load)		$t_{OH_N}$	1.8		1.8		1.8		ns	28
ACTIVE to PRECHARGE command		$t_{RAS}$	37	120,000	44	120,000	50	120,000	ns	29
ACTIVE to ACTIVE command period		$t_{RC}$	60		66		70		ns	
ACTIVE to READ or WRITE delay		$t_{RCD}$	15		20		20		ns	
Refresh period (8,192 rows)		$t_{REF}$		64		64		64	ms	
AUTOREFRESH period		$t_{RFC}$	66		66		70		ns	
PRECHARGE command period		$t_{RP}$	15		20		20		ns	
ACTIVE bank a to ACTIVE bank b command		$t_{RRD}$	14		15		20		ns	
Transition time		$t_T$	0.3	1.2	0.3	1.2	0.3	1.2	ns	7
WRITE recovery time		$t_{WR}$	1 CLK + 7ns		1 CLK + 7.5ns		1 CLK + 7ns		ns	24
			14		15		15		ns	25
Exit SELF REFRESH to ACTIVE command		$t_{XSR}$	67		75		80		ns	20



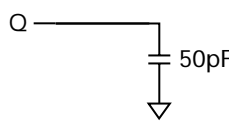
**Table 17: AC Functional Characteristics**

Notes: 5, 6, 7, 8, 9, 11; notes appear on page 17

PARAMETER	SYMBOL	-13E	-133	-10E	UNITS	NOTES
READ/WRITE command to READ/WRITE command	$t_{CCD}$	1	1	1	$t_{CK}$	17
CKE to clock disable or power-down entry mode	$t_{CKED}$	1	1	1	$t_{CK}$	14
CKE to clock enable or power-down exit setup mode	$t_{PED}$	1	1	1	$t_{CK}$	14
DQM to input data delay	$t_{DQD}$	0	0	0	$t_{CK}$	17
DQM to data mask during WRITES	$t_{DQM}$	0	0	0	$t_{CK}$	17
DQMto data high-impedance during READs	$t_{DQZ}$	2	2	2	$t_{CK}$	17
WRITE command to input data delay	$t_{DWD}$	0	0	0	$t_{CK}$	17
Data-into ACTIVE command	$t_{DAL}$	4	5	4	$t_{CK}$	15, 21
Data-into PRECHARGE command	$t_{DPL}$	2	2	2	$t_{CK}$	16, 21
Last data-in to burst STOP command	$t_{BDL}$	1	1	1	$t_{CK}$	17
Last data-in to new READ/WRITE command	$t_{CDL}$	1	1	1	$t_{CK}$	17
Lastdata-into PRECHARGE command	$t_{RDL}$	2	2	2	$t_{CK}$	16, 21
LOADMODEREGISTER command to ACTIVE or REFRESH command	$t_{MRD}$	2	2	2	$t_{CK}$	26
Data-out to high-impedance from PRECHARGE command	CL = 3	$t_{ROH(3)}$	3	3	$t_{CK}$	17
	CL = 2	$t_{ROH(2)}$	2	2	$t_{CK}$	17

## Notes

1. All voltages referenced to VSS.
2. This parameter is sampled. VDD, VDDQ = +3.3V; T<sub>A</sub> = 25°C; pin under test biased at 1.4; f = 1 MHz.
3. IDD is dependent on output loading and cycle rates. Specified values are obtained with minimum cycle time and the outputs open.
4. Enables on-chip refresh and address counters.
5. The minimum specifications are used only to indicate cycle time at which proper operation over the full temperature range is ensured (Commercial Temperature: 0°C ≤ T<sub>A</sub> +70°C and Industrial Temperature: -40°C ≤ T<sub>A</sub> ≤ +85°C).
6. An initial pause of 100μs is required after power-up, followed by two AUTO REFRESH commands, before proper device operation is ensured. (VDD and VDDQ must be powered up simultaneously. VSS and VSSQ must be at same potential.) The two AUTO REFRESH command wake-ups should be repeated any time the tREF refresh requirement is exceeded.
7. AC characteristics assume <sup>t</sup>T = 1ns.
8. In addition to meeting the transition rate specification, the clock and CKE must transit between V<sub>IH</sub> and V<sub>IL</sub> (or between V<sub>IL</sub> and V<sub>IH</sub>) in a monotonic manner.
9. Outputs measured at 1.5V with equivalent load:
 



A circuit diagram showing an output pin labeled 'Q' connected to a 50pF load capacitor. The capacitor is connected to ground, represented by a downward-pointing triangle.
10. <sup>t</sup>HZ defines the time at which the output achieves the open circuit condition; it is not a reference to V<sub>OH</sub> or V<sub>OL</sub>. The last valid data element will meet <sup>t</sup>OH before going High-Z.
11. AC timing and IDD tests have V<sub>IL</sub> = 0V and V<sub>IH</sub> = 3V, with timing referenced to 1.5V crossover point. If the input transition time is longer than 1ns, then the timing is referenced at V<sub>IL</sub> (MAX) and V<sub>IH</sub> (MIN) and no longer at the 1.5V crossover point.
12. Other input signals are allowed to transition no more than once every two clocks and are otherwise at valid V<sub>IH</sub> or V<sub>IL</sub> levels.
13. IDD specifications are tested after the device is properly initialized.
14. Timing actually specified by <sup>t</sup>CKS; clock(s) specified as a reference only at minimum cycle rate.
15. Timing actually specified by <sup>t</sup>WR plus <sup>t</sup>RP; clock(s) specified as a reference only at minimum cycle rate.
16. Timing actually specified by <sup>t</sup>WR.
17. Required clocks are specified by JEDEC functionality and are not dependent on any timing parameter.
18. The IDD current will increase or decrease proportionally according to the amount of frequency alteration for the test condition.
19. Address transitions average one transition every two clocks.
20. CLK must be toggled a minimum of two times during this period.
21. Based on <sup>t</sup>CK = 10ns for -10E, and <sup>t</sup>CK = 7.5ns for -133 and -13E.
22. V<sub>IH</sub> overshoot: V<sub>IH</sub> (MAX) = VDDQ + 2V for a pulse width ≤ 3ns, and the pulse width cannot be greater than one third of the cycle rate. V<sub>IL</sub> undershoot: V<sub>IL</sub> (MIN) = -2V for a pulse width ≤ 3ns.
23. The clock frequency must remain constant (stable clock is defined as a signal cycling within timing constraints specified for the clock pin) during access or precharge states (READ, WRITE, including <sup>t</sup>WR, and PRECHARGE commands). CKE may be used to reduce the data rate.
24. Auto precharge mode only. The precharge timing budget (<sup>t</sup>RP) begins 7ns for -13E; 7.5ns for -133 and 7ns for -10E after the first clock delay, after the last WRITE is executed. May not exceed limit set for precharge mode.
25. Precharge mode only.
26. JEDEC and PC100 specify three clocks.
27. <sup>t</sup>AC for -133/-13E at CL = 3 with no load is 4.6ns and is guaranteed by design.
28. Parameter guaranteed by design.
29. The value of <sup>t</sup>RAS used in -13E speed grade module SPDs is calculated from <sup>t</sup>RC - <sup>t</sup>RP = 45ns.
30. For -10E, CL= 2 and <sup>t</sup>CK = 10ns; for -133, CL = 3 and <sup>t</sup>CK = 7.5ns; for -13E, CL = 2 and <sup>t</sup>CK = 7.5ns.
31. CKE is HIGH during refresh command period <sup>t</sup>RFC (MIN) else CKE is LOW. The IDD6 limit is actually a nominal value and does not result in a fail value.
32. Leakage number reflects the worst-case leakage possible through the module pin, not what each memory device contributes.
33. Leakage number reflects the worst-case leakage possible through the module pin, not what each memory device contributes.

### SPD Clock and Data Conventions

Data states on the SDA line can change only during SCL LOW. SDA state changes during SCL HIGH are reserved for indicating start and stop conditions (as shown in Figure 7 and Figure 8).

### SPD Start Condition

All commands are preceded by the start condition, which is a HIGH-to-LOW transition of SDA when SCL is HIGH. The SPD device continuously monitors the SDA and SCL lines for the start condition and will not respond to any command until this condition has been met.

### SPD Stop Condition

All communications are terminated by a stop condition, which is a LOW-to-HIGH transition of SDA when SCL is HIGH. The stop condition is also used to place the SPD device into standby power mode.

### SPD Acknowledge

Acknowledge is a software convention used to indicate successful data transfers. The transmitting device, either master or slave, will release the bus after transmitting eight bits. During the ninth clock cycle, the receiver will pull the SDA line LOW to acknowledge that it received the eight bits of data (as shown in Figure 9).

The SPD device will always respond with an acknowledge after recognition of a start condition and its slave address. If both the device and a WRITE operation have been selected, the SPD device will respond with an acknowledge after the receipt of each subsequent eight bit word. In the read mode the SPD device will transmit eight bits of data, release the SDA line and monitor the line for an acknowledge. If an acknowledge is detected and no stop condition is generated by the master, the slave will continue to transmit data. If an acknowledge is not detected, the slave will terminate further data transmissions and await the stop condition to return to standby power mode.

Figure 7: Data Validity

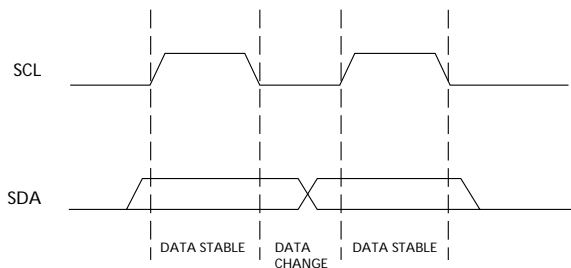


Figure 8: Definition of Start and Stop

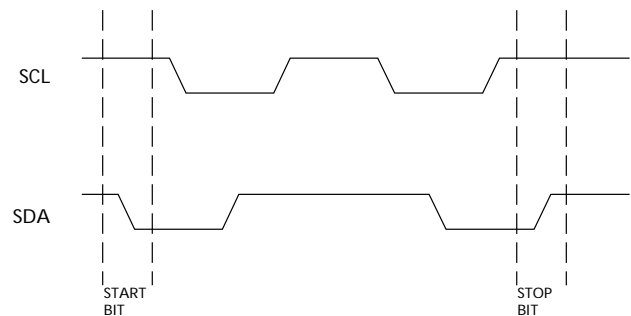
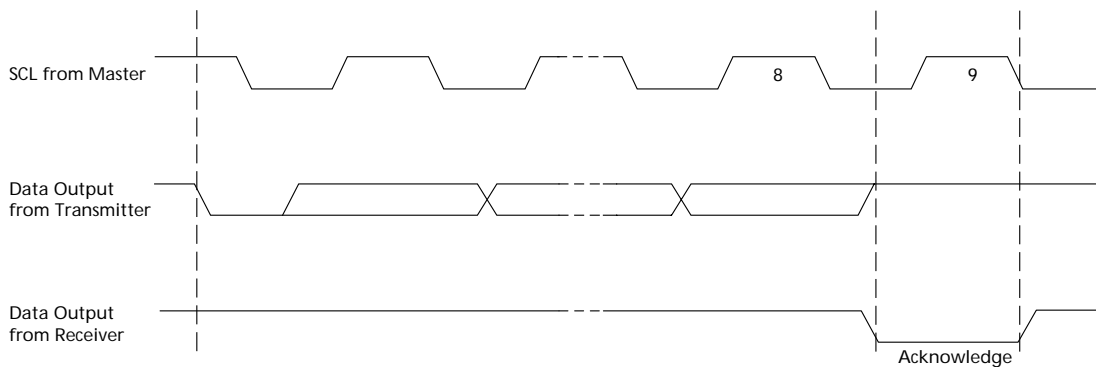


Figure 9: Acknowledge Response From Receiver



**Table 18: EEPROM Device Select Code**

The most significant bit (b7) is sent first

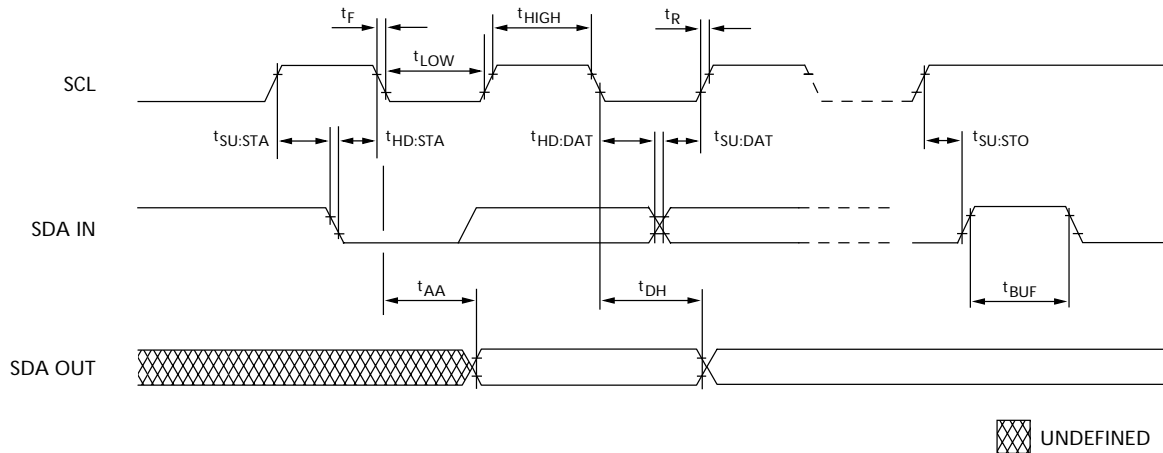
	DEVICE TYPE IDENTIFIER				CHIP ENABLE			$\overline{RW}$
	b7	b6	b5	b4	b3	b2	b1	b0
Memory Area Select Code (two arrays)	1	0	1	0	SA2	SA1	SA0	$\overline{RW}$
Protection Register Select Code	0	1	1	0	SA2	SA1	SA0	$\overline{RW}$

**Table 19: EEPROM Operating Modes**

MODE	$\overline{RW}$ BIT	$\overline{WC}$	BYTES	INITIAL SEQUENCE
Current Address Read	1	$V_{IH}$ or $V_{IL}$	1	Start, Device Select, $\overline{RW} = 1$
RandomAddressRead	0	$V_{IH}$ or $V_{IL}$	1	Start, Device Select, $\overline{RW} = 0$ , Address
	1	$V_{IH}$ or $V_{IL}$		RESTART, Device Select, $\overline{RW} = 1$
Sequential Read	1	$V_{IH}$ or $V_{IL}$	$\geq 1$	Similar to Current or Random Address Read
Byte Write	0	$V_{IL}$	1	START, Device Select, $\overline{RW} = 0$
Page Write	0	$V_{IL}$	$\leq 16$	START, Device Select, $\overline{RW} = 0$

**Table 20: SERIAL Presence-Detect EEPROM DC Operating Conditions**
 $V_{DD} = +3.3V \pm 0.3V$ ; All voltages referenced to  $V_{SS}$ 

PARAMETER/CONDITION	SYMBOL	MIN	MAX	UNITS
SUPPLY VOLTAGE	$V_{DD}$	3	3.6	V
INPUT HIGH VOLTAGE: Logic 1; All inputs	$V_{IH}$	$V_{DD} \times 0.7$	$V_{DD} + 0.5$	V
INPUT LOW VOLTAGE: Logic 0; All inputs	$V_{IL}$	-1	$V_{DD} \times 0.3$	V
OUTPUT LOW VOLTAGE: $I_{OUT} = 3mA$	$V_{OL}$	-	0.4	V
INPUT LEAKAGE CURRENT: $V_{IN} = GND$ to $V_{DD}$	$I_{LI}$	-	10	$\mu A$
OUTPUT LEAKAGE CURRENT: $V_{OUT} = GND$ to $V_{DD}$	$I_{LO}$	-	10	$\mu A$
STANDBY CURRENT: $SCL = SDA = V_{DD} - 0.3V$ ; All other inputs = GND or $3.3V \pm 10\%$	$I_{CCS}$	-	30	$\mu A$
POWER SUPPLY CURRENT: SCL Clock frequency = 100 KHz	Icc Write	-	3	mA
	Icc Read	-	1	

**SPD EEPROM TIMING DIAGRAM**

**Table 21: Serial Presence-Detect EEPROM AC Operating Conditions**

VDD = +3.3V ±0.3V; All voltages referenced to Vss

PARAMETER/CONDITION	SYMBOL	MIN	MAX	UNITS	NOTES
SCL LOW to SDA data-out valid	$t_{AA}$	0.3	3.5	$\mu$ s	
Time the bus must be free before a new transition can start	$t_{BUF}$	4.7	-	$\mu$ s	
Data-out hold time	$t_{DH}$	300		ns	
SDA and SCL fall time	$t_F$		300	ns	
Data-in hold time	$t_{HD:DAT}$	0		$\mu$ s	
Start condition hold time	$t_{HD:STA}$	4		$\mu$ s	
Clock HIGH period	$t_{HIGH}$	4		$\mu$ s	
Noise suppression time constant at SCL, SDA inputs	$t_I$		100	ns	
Clock LOW period	$t_{LOW}$	4.7		$\mu$ s	
SDA and SCL rise time	$t_R$		1	$\mu$ s	
SCL clock frequency	$f_{SCL}$		100	KHz	
Data-in setup time	$t_{SU:DAT}$	250		ns	
Start condition setup time	$t_{SU:STA}$	4.7		$\mu$ s	
Stop condition setup time	$t_{SU:STO}$	4.7		$\mu$ s	
WRITE cycle time	$t_{WRC}$		10	ms	1

**NOTE:**

- The SPD EEPROM WRITE cycle time ( $t_{WRC}$ ) is the time from a valid stop condition of a write sequence to the end of the EEPROM internal erase/program cycle. During the WRITE cycle, the EEPROM bus interface circuit is disabled, SDA remains HIGH due to pull-up resistor, and the EEPROM does not respond to its slave address.

**Table 22: Serial Presence-Detect Matrix**

VDD = +3.3V ±0.3V; "1"/"0": Serial Data, "driven to HIGH"/"driven to LOW"

BYTE	DESCRIPTION	ENTRY (VERSION)	MT8LSDT3264A(I)	MT16LSDT6464A(I)
0	NUMBER OF BYTES USED BY MICRON	128	80	80
1	TOTAL NUMBER OF SPD MEMORY BYTES	256	08	08
2	MEMORY TYPE	SDRAM	04	04
3	NUMBER OF ROWADDRESSES	13	0D	0D
4	NUMBER OF COLUMN ADDRESSES	10	0A	0A
5	NUMBER OF MODULE BANKS	1 or 2	01	02
6	MODULE DATA WIDTH	64	40	40
7	MODULE DATA WIDTH (continued)	0	00	00
8	MODULE VOLTAGE INTERFACE LEVELS	LVTTL	01	01
9	SDRAM CYCLE TIME, <sup>t</sup> CK (CAS LATENCY = 3)	7ns (-13E) 7.5ns (-133) 8ns (-10E)	70 75 80	70 75 80
10	SDRAM ACCESS FROM CLK, <sup>t</sup> AC (CAS LATENCY = 3)	5.4ns (-13E/-133) 6ns (-10E)	54 60	54 60
11	MODULE CONFIGURATION TYPE	NONPARITY	00	00
12	REFRESH RATE/TYPE	7.8125µs/SELF	82	82
13	SDRAM WIDTH (PRIMARY SDRAM)	8	08	08
14	ERROR-CHECKING SDRAM DATA WIDTH	NONE	00	00
15	MINIMUM CLOCK DELAY FROM BACK-TO-BACK RANDOM COLUMN ADDRESSES, <sup>t</sup> CCD	1	01	01
16	BURST LENGTHS SUPPORTED	1, 2, 4, 8, PAGE	8F	8F
17	NUMBER OF BANKS ONS DRAM DEVICE	4	04	04
18	CAS LATENCIES SUPPORTED	2, 3	06	06
19	CS LATENCY	0	01	01
20	WE LATENCY	0	01	01
21	SDRAM MODULE ATTRIBUTES	UNBUFFERED	00	00
22	SDRAM DEVICE ATTRIBUTES:GENERAL	0E	0E	0E
23	SDRAM CYCLE TIME, <sup>t</sup> CK (CAS LATENCY = 2) 10 (-133/-10E) A0	7.5ns (13E) 10ns (-133/-10E)	75 A0	75 A0
24	SDRAMACCESSFROMCLK, <sup>t</sup> AC (CAS LATENCY = 2)	5.4ns (-13E) 6ns (-133/-10E)	54 60	54 60
25	SDRAM CYCLE TIME, <sup>t</sup> CK (CAS LATENCY = 1)		00	00
26	SDRAM ACCESS FROM CLK, <sup>t</sup> AC (CAS LATENCY = 1)		00	00
27	MINIMUM ROW PRECHARGE TIME, <sup>t</sup> RP	15ns (-13E) 20ns (-133/-10E)	0F 14	0F 14
28	MINIMUM ROW ACTIVE TO ROW ACTIVE, <sup>t</sup> RDD	14ns (-13E) 15ns (-133) 20ns (-10E)	0E 0F 14	0E 0F 14
29	MINIMUM RAS# TO CAS# DELAY, <sup>t</sup> RCD	15ns (-13E) 20ns (-133/-10E)	0F 14	0F 14
30	MINIMUM RAS# PULSE WIDTH, <sup>t</sup> RAS (See note 1)	45ns (-13E) 44ns (133) 50ns (-10E)	2D 2C 32	2D 2C 32

**Table 22: Serial Presence-Detect Matrix (Continued)**

VDD = +3.3V ±0.3V; "1"/"0": Serial Data, "driven to HIGH"/"driven to LOW"

BYTE	DESCRIPTION	ENTRY (VERSION)	MT8LSDT3264A(I)	MT16LSDT6464A(I)
31	MODULE BANK DENSITY	256MB	40	40
32	COMMAND AND ADDRESS SETUP TIME, $t_{AS}$ , $t_{CMS}$	1.5ns (-13E/-133) 2ns (-10E)	15 20	15 20
33	COMMAND AND ADDRESS HOLD TIME, $t_{AH}$ , $t_{CMH}$	0.8ns (-13E/-133) 1ns (-10E)	08 10	08 10
34	DATA SIGNAL INPUT SETUP TIME, $t_{DS}$	1.5ns (-13E/-133) 2ns (-10E)	15 20	15 20
35	DATA SIGNAL INPUT HOLD TIME, $t_{DH}$	0.8ns (-13E/-133) 1ns (-10E)	08 10	08 10
36-61	RESERVED		00	00
62	SPD REVISION	REV. 1.2	12	12
63	CHECKSUM FOR BYTES 0-62	(-13E) (-133) (-10E)	8B D1 19	8C D2 1A
64	MANUFACTURER'S JEDEC ID CODE	MICRON	2C	2C
65-71	MANUFACTURER'S JEDEC ID CODE(CONT.)		FF	FF
72	MANUFACTURING LOCATION		01 - 06	01 - 06
73-90	MODULE PART NUMBER (ASCII)		Variable Data	Variable Data
91	PCB IDENTIFICATION CODE		01-04	01-04
92	IDENTIFICATION CODE (CONT.)	0	00	00
93	YEAR OF MANUFACTURE IN BCD		Variable Data	Variable Data
94	WEEK OF MANUFACTURE IN BCD		Variable Data	Variable Data
95-98	MODULE SERIAL NUMBER		Variable Data	Variable Data
99-125	MANUFACTURER-SPECIFIC DATA (RSVD)			
126	SYSTEM FREQUENCY	100 MHz (-13E/ -133/-10E)	64	64
127	SDRAM COMPONENT & CLOCK DETAIL		AF	FF

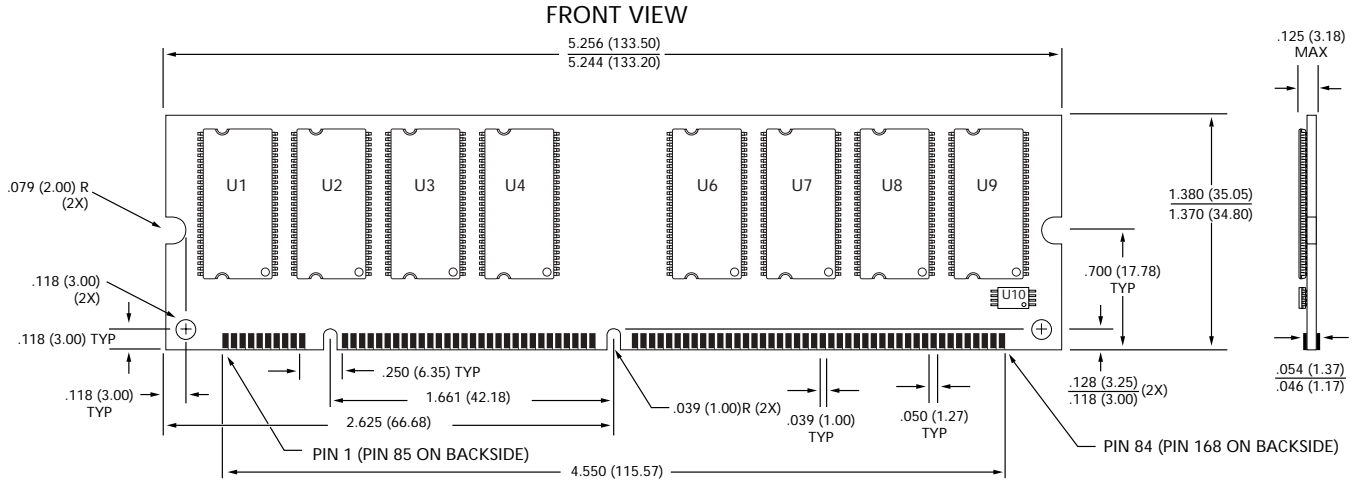
**NOTE:**

1. The value of  $t_{RAS}$  used for -13E modules is calculated from  $t_{RC} - t_{RP}$ . Actual device spec. value is 37ns.

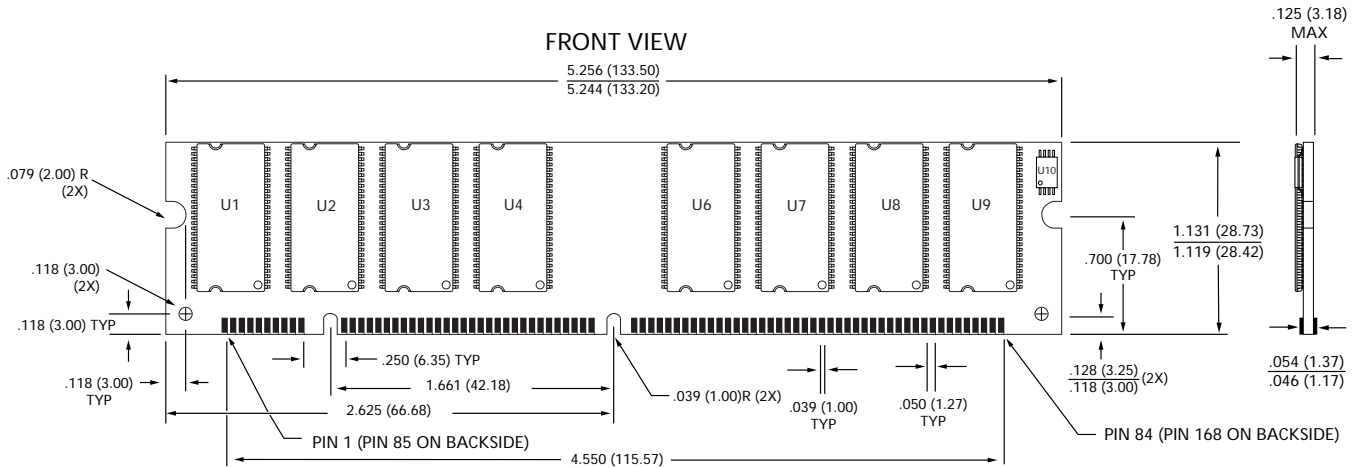


Figure 10: 256MB Module Dimensions

STANDARD PCB



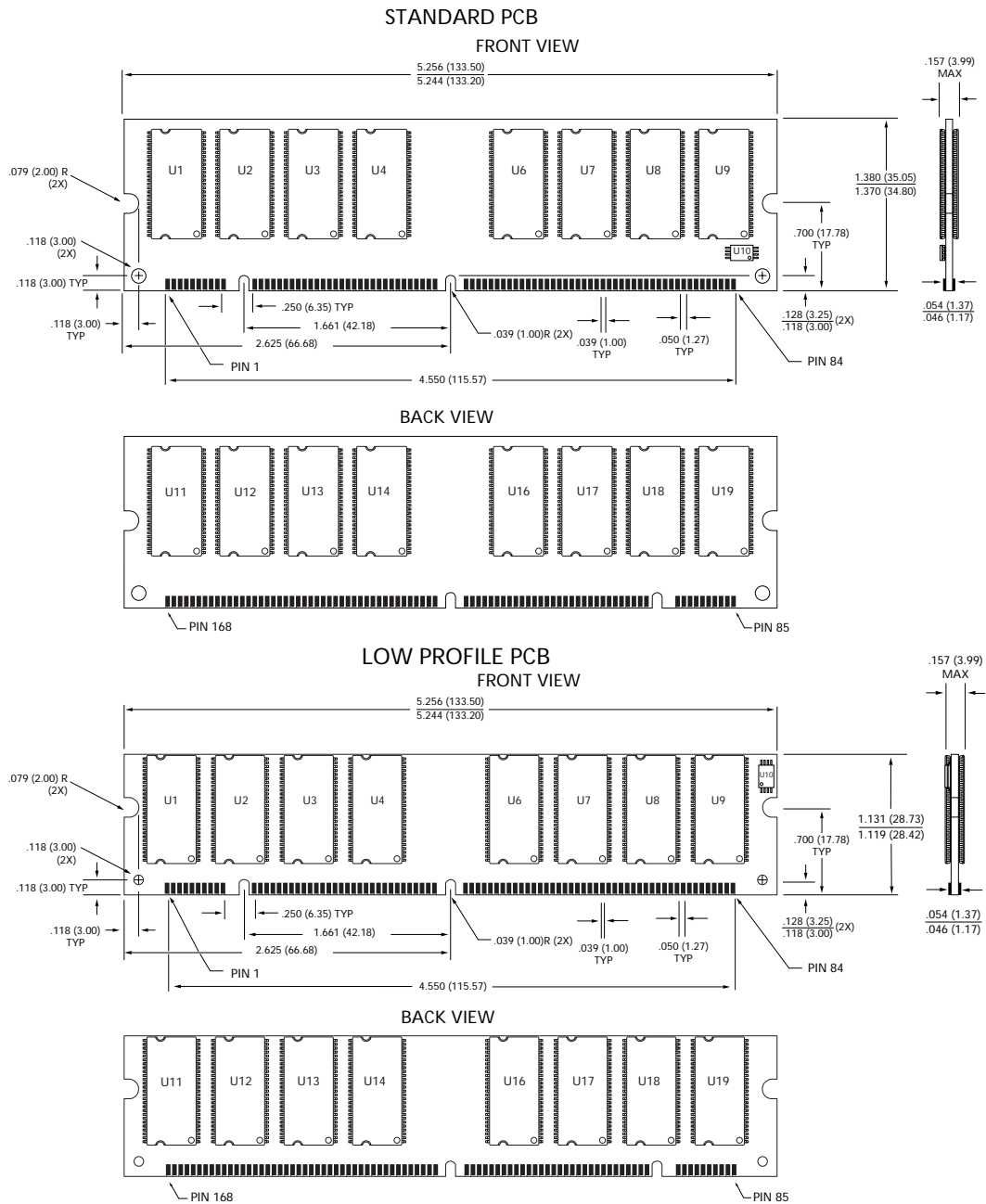
LOW PROFILE PCB



NOTE:

All dimensions in inches (millimeters)  $\frac{\text{MAX}}{\text{MIN}}$  or typical where noted.

Figure 11: 512MB Module Dimensions



NOTE:

All dimensions in inches (millimeters)  $\frac{\text{MAX}}{\text{MIN}}$  or typical where noted.



8000 S. Federal Way, P.O. Box 6, Boise, ID 83707-0006, Tel: 208-368-3900

E-mail: [prodmktg@micron.com](mailto:prodmktg@micron.com), Internet: <http://www.micron.com>, Customer Comment Line: 800-932-4992

Micron and the M logo are registered trademarks and the Micron logo is a trademark of Micron Technology, Inc.