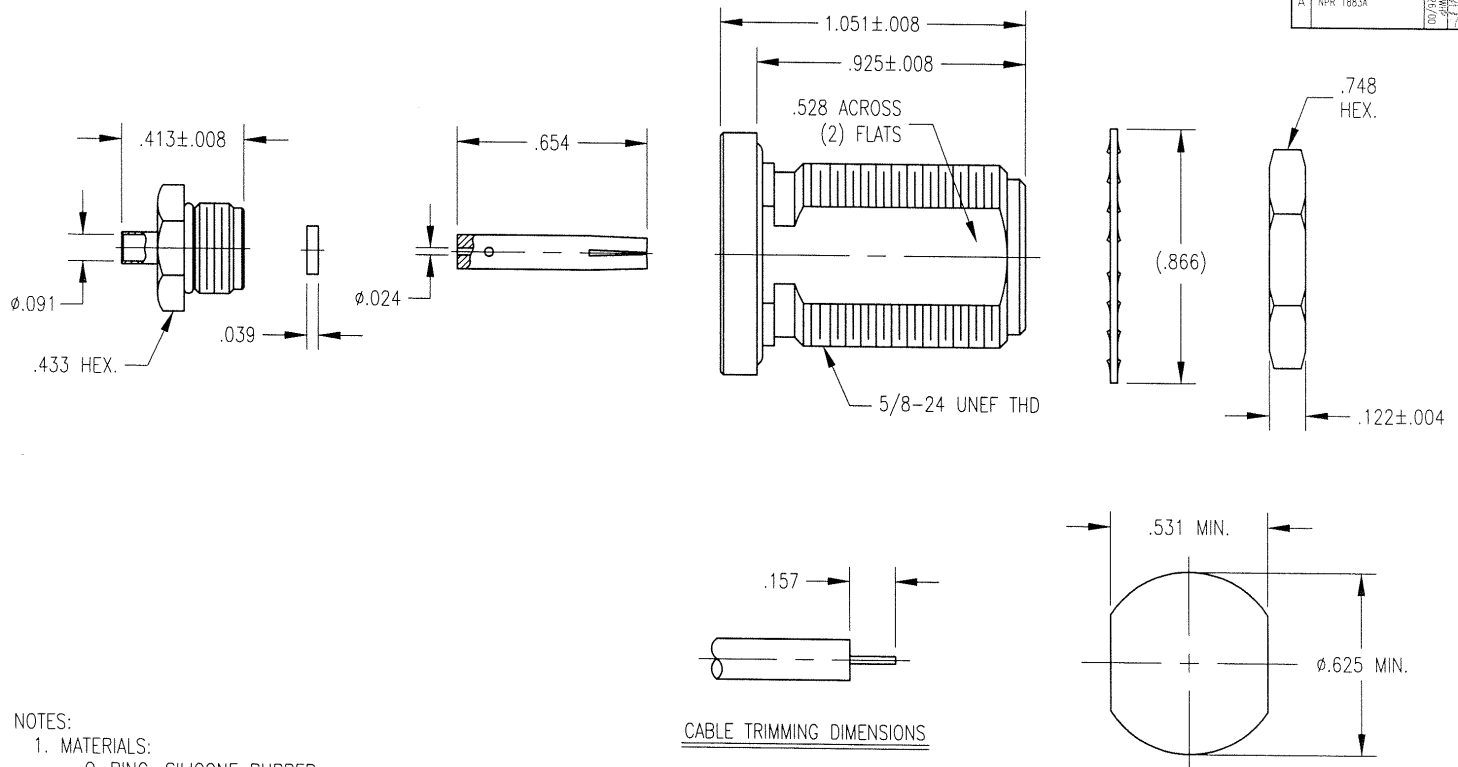


| | | | |
|----------|--------------------------|---------------|-------|
| DWC. NO. | | 601-526-0850Y | |
| REV | DESCRIPTION | DATE | APPD. |
| A | RELEASE PER NPR 1683A | 01/24/00 | JH |



NOTES:

- MATERIALS:
O-RING: SILICONE RUBBER
CENTER CONTACT: BERYLLIUM COPPER
ALL OTHER METAL PARTS: BRASS
INSULATOR: TEFLON
- FINISH:
CENTER CONTACT: .000030 MIN. GOLD PLATE OVER NICKEL
ALL OTHER METAL PARTS: NICKEL PLATE
- ELECTRICAL:
IMPEDANCE: 50 OHMS NOMINAL
- FOR USE WITH .085 DIA. SEMI-RIGID CABLE.

CABLE TRIMMING DIMENSIONS

MOUNTING HOLE LAYOUT

| | | | | | |
|---|---------|------------|---------|---|---------------|
| PER ASME Y14.5M-1994 UNLESS OTHERWISE SPECIFIED: DIMENSIONS ARE IN INCHES OR INCHES/MM TOLERANCES: .001 DECIMALS .XX ± .01/0.254 XXX ± .005/0.127 ANGLES ± 2° | | SCALE: 2:1 | | Litton Winchester Electronics/RETCONN <small>400 Park Road Wallingford, Connecticut 06495</small> | |
| CUSTOMER DRAWING | | TITLE | | TYPE N BULKHEAD JACK | |
| DRWN | DATE | CHECKED | DATE | A | 601-526-0850Y |
| JED | 1/24/00 | JH | 1/24/00 | | |
| APPROVED | DATE | APPROVED | DATE | SHL | UP |
| JMC | 1/24/00 | KJT | 1/24/00 | 1 | 1 |
| | | | | REV | A |

June 2006 - This drawing became the property of Winchester Electronics Corporation, Wallingford, CT.