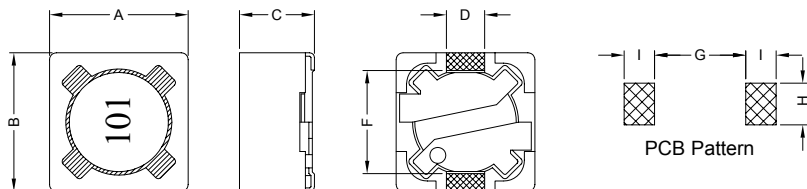


1. PART NO. EXPRESSION :

S D C 0 7 0 4 - 1 0 1 M F
 (a) (b) (c) (d)(e)

- (a) Series code
- (b) Dimension code
- (c) Inductance code : 101 = 100uH
- (d) Tolerance code : M = ±20%
- (e) F : Lead Free

2. CONFIGURATION & DIMENSIONS :



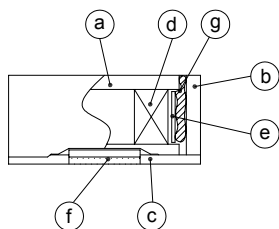
Unit:m/m

A	B	C	D	F	G	H	I
7.30±0.20	7.30±0.20	4.50 Max.	1.80 Ref.	5.00 Ref.	4.8 Ref.	2.2 Ref.	1.6 Ref.

3. SCHEMATIC :



4. MATERIALS :



- (a) Core : DR Ferrite Core
- (b) Core : RI Ferrite Core
- (c) Base : LCP
- (d) Wire : Enamelled Copper Wire
- (e) Tape : Mylar Tape
- (f) Terminal : Tinned Copper Plate
- (g) Adhesive : Epoxy

5. GENERAL SPECIFICATION :

- a) Temp. rise : 40°C Max.
- b) Rated current : Base on temp. rise & ΔL/L0A = 25% Max.
- c) Operating temp. : -40°C to +85°C



RoHS Compliant

NOTE : Specifications subject to change without notice. Please check our website for latest information.

05.05.2008



SUPERWORLD ELECTRONICS (S) PTE LTD

6. ELECTRICAL CHARACTERISTICS :

Part No.	Inductance (μ H)	Test Frequency	RDC (Ω) Max.	IDC (A) Max.
SDC0704-3R3MF	3.396 \pm 20%	100KHz / 0.25V	0.0245	3.94
SDC0704-100MF	10 \pm 20%	1KHz / 0.25V	0.049	1.84
SDC0704-120MF	12 \pm 20%	1KHz / 0.25V	0.058	1.71
SDC0704-150MF	15 \pm 20%	1KHz / 0.25V	0.081	1.47
SDC0704-180MF	18 \pm 20%	1KHz / 0.25V	0.091	1.31
SDC0704-220MF	22 \pm 20%	1KHz / 0.25V	0.110	1.23
SDC0704-270MF	27 \pm 20%	1KHz / 0.25V	0.150	1.12
SDC0704-330MF	33 \pm 20%	1KHz / 0.25V	0.170	0.96
SDC0704-390MF	39 \pm 20%	1KHz / 0.25V	0.230	0.91
SDC0704-470MF	47 \pm 20%	1KHz / 0.25V	0.260	0.88
SDC0704-560MF	56 \pm 20%	1KHz / 0.25V	0.350	0.75
SDC0704-680MF	68 \pm 20%	1KHz / 0.25V	0.380	0.69
SDC0704-820MF	82 \pm 20%	1KHz / 0.25V	0.430	0.61
SDC0704-101MF	100 \pm 20%	1KHz / 0.25V	0.610	0.60
SDC0704-121MF	120 \pm 20%	1KHz / 0.25V	0.660	0.52
SDC0704-151MF	150 \pm 20%	1KHz / 0.25V	0.880	0.46
SDC0704-181MF	180 \pm 20%	1KHz / 0.25V	0.980	0.42
SDC0704-221MF	220 \pm 20%	1KHz / 0.25V	1.170	0.36
SDC0704-271MF	270 \pm 20%	1KHz / 0.25V	1.640	0.34
SDC0704-331MF	330 \pm 20%	1KHz / 0.25V	1.860	0.32
SDC0704-391MF	390 \pm 20%	1KHz / 0.25V	2.850	0.29
SDC0704-471MF	470 \pm 20%	1KHz / 0.25V	3.010	0.26
SDC0704-561MF	560 \pm 20%	1KHz / 0.25V	3.620	0.23
SDC0704-681MF	680 \pm 20%	1KHz / 0.25V	4.630	0.22
SDC0704-821MF	820 \pm 20%	1KHz / 0.25V	5.200	0.20
SDC0704-102MF	1000 \pm 20%	1KHz / 0.25V	6.000	0.18



RoHS Compliant

NOTE : Specifications subject to change without notice. Please check our website for latest information.

05.05.2008

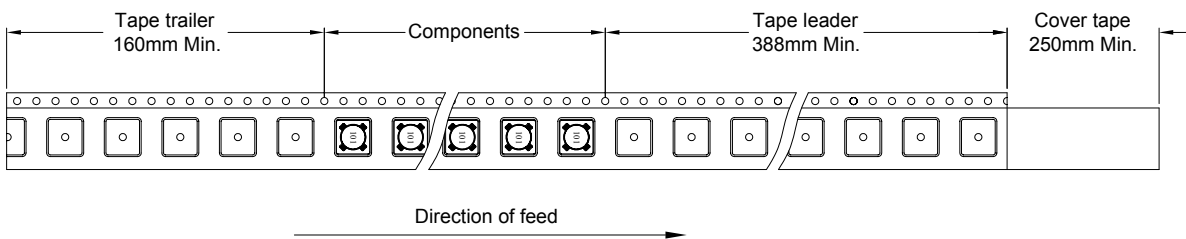
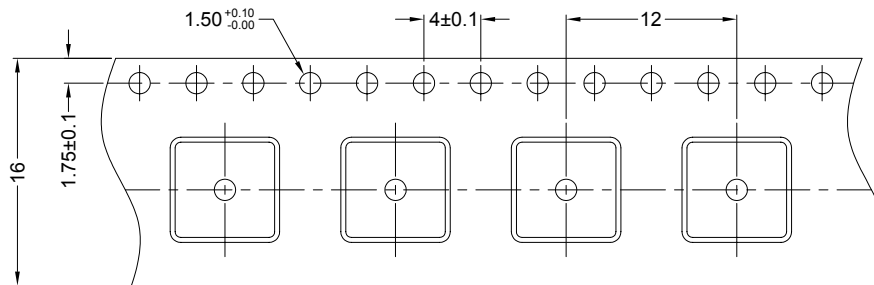
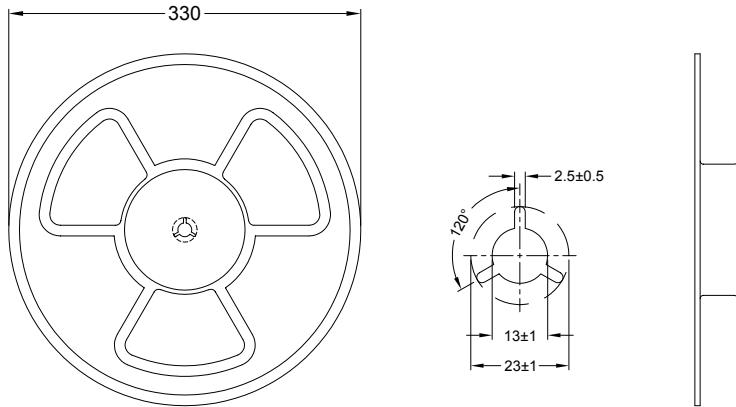


SUPERWORLD ELECTRONICS (S) PTE LTD

PG. 2

7. PACKAGING INFORMATION : (Unit : mm)

7-1. Reel & Tape Dimension



7-2. Quantity & G.W. per package

SERIES	INNER : REEL			OUTER : CARTON		
	Q'TY (PCS)	G.W. (Kg)	STYLE	Q'TY (PCS)	G.W. (Kg)	SIZE (cm)
SDC0704	1000	1.2	13-16	16000	24	36 x 36 x 40

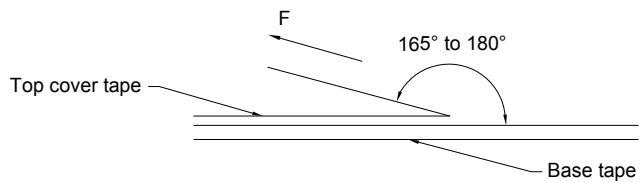


RoHS Compliant

NOTE : Specifications subject to change without notice. Please check our website for latest information.

05.05.2008

7-3. Tearing Off Force



The force for tearing off cover tape is 10 to 60 grams in the arrow direction.



RoHS Compliant

NOTE : Specifications subject to change without notice. Please check our website for latest information.

05.05.2008



SUPERWORLD ELECTRONICS (S) PTE LTD

PG. 4