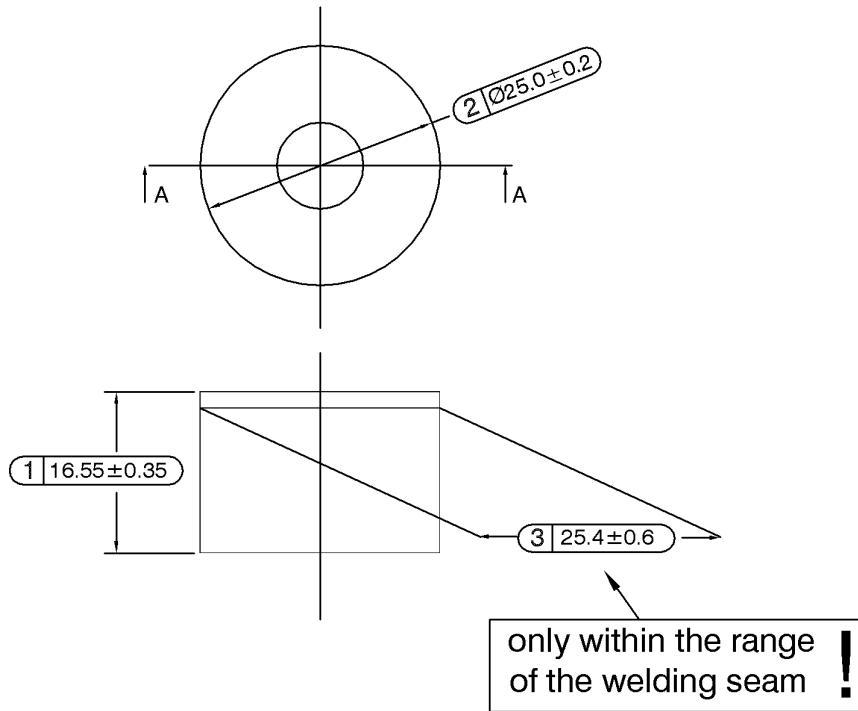
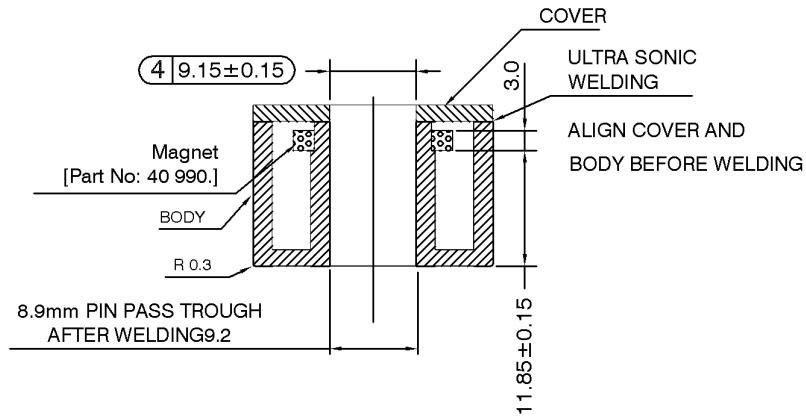


Preliminary Datasheet



SECTION A-A



unspecified tolerances acc. to DIN ISO 2768-m

Modifications in the sense of technical progress are reserved

Designed at: 30.10.08 Designed by: ALICHTENSTEIN
 Last Change at: Last Change by:

Approval at:
 Approval at:

Approval by:
 Approval by:

Version: 07



Products for tomorrow...

Europe: +49 / 7731 8399 0 | Email: info@meder.com
USA: +1 / 508 295 0771 | Email: salesusa@meder.com
Asia: +852 / 2955 1682 | Email: salesasia@meder.com

Item No.: **2500000010**
Item: **Floating magnet MS02-PP**

Preliminary Datasheet

Special Product Data	Conditions	Min	Typ	Max	Unit
Material of float			PP opaque		
Float weight		4,15		4,36	g

Mag. values DIN IEC 60404-8-	Conditions	Min	Typ	Max	Unit
Magnetic moment	measured with MS150	4	4,95	5,9	E-6 Vs cm