

ES-1112N-LXME

1.0 ELECTRICAL CHARACTERISTICS:

1.1 ABSOLUTE MAXIMUM RATING :

| ITEM | SYM | LIMITS | UNIT | REMARK |
|-----------------------|------|----------|------|--------------------|
| INPUT VOLTAGE | VIN | 15 | VDC | |
| OUTPUT POWER | PD | 6.5 | W | TOTAL OUTPUT POWER |
| OPERATING TEMPERATURE | Top | 0 - 50 | °C | |
| STORAGE TEMPERATURE | Tstg | -20 - 85 | °C | |
| RELATIVE HUMIDITY | RH | 95 | % | |

1.2 OPERATING CHARACTERISTICS :

| ITEM | SYM | Min. | TYP. | Max. | UNIT | REMARK |
|-----------------------|------|-------|-------|-------|------|-----------------------------|
| INPUT VOLTAGE | Vin | 10.80 | 12.00 | 13.20 | VDC | Measure at CN1 |
| INPUT CURRENT | Iin | ----- | 0.56 | 0.73 | ADC | AT 12VDC INPUT 25°C |
| LAMP CURRENT (Min.) | Imin | 1.50 | 2.00 | 2.50 | mA | RMS VALUE, Vdim=5V |
| LAMP CURRENT (Max.) | Imax | 5.50 | 6.00 | 6.50 | mA | RMS VALUE, Vdim=0V |
| OUTPUT FREQUENCY | Fo | 45.00 | 55.00 | 65.00 | KHz | |
| NO LOAD O/P VOLTAGE | Vnl | ----- | 1600 | 1800 | Vrms | MEASURE ON TRANSFORMER SIDE |
| CONTROL ON VOLTAGE | Von | 2.50 | ----- | 5.00 | VDC | |
| CONTROL OFF VOLTAGE | Voff | 0 | 0 | 0.50 | VDC | |
| DIMMING CONTROL | Vdim | 0 | ----- | 5.00 | VDC | |
| NO LOAD SHUTDOWN TIME | Tsd | ----- | 1.00 | ---- | SEC. | |

2.0 INTERFACE SPECIFICATION :

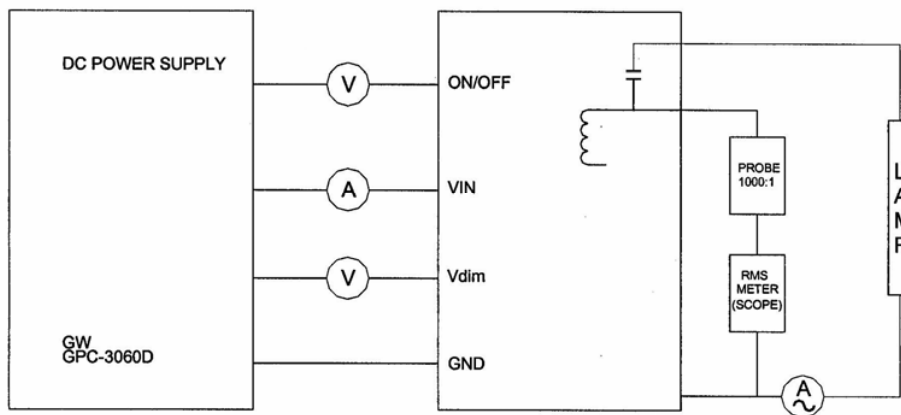
2.1 INPUT CONNECTOR (CN1) : S5B-PH-SM3-TB OR EQUIV

| PIN NUMBER | FUNCTION | REMARK |
|------------|-----------------|--------|
| 1 | VIN | |
| 2 | DIMMING CONTROL | |
| 3,4 | GND | |
| 5 | ON/OFF CONTROL | |

2.2 OUTPUT CONNECTOR (CN3,CN5) : SM02(8.0)B-BHS-1-TB OR EQUIV.

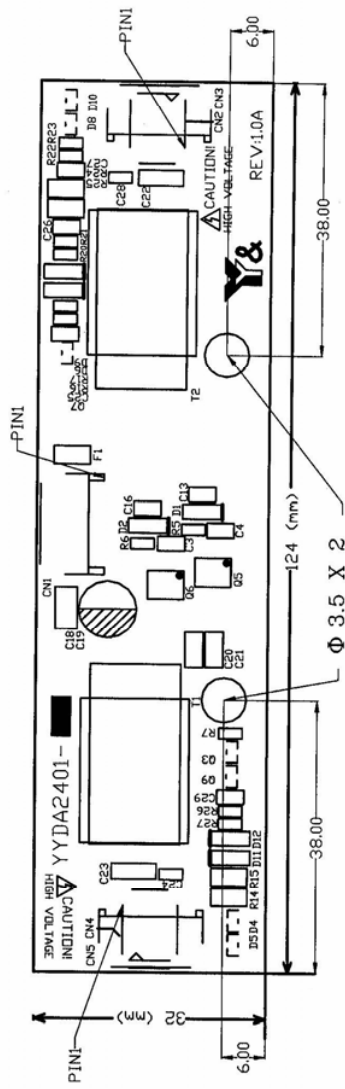
| PIN NUMBER | FUNCTION | REMARK |
|------------|----------------|--------|
| 1 | CCFL HV OUTPUT | |
| 2 | CCFL RTN | |

3.0 TESTING BLOCK DIAGRAM :

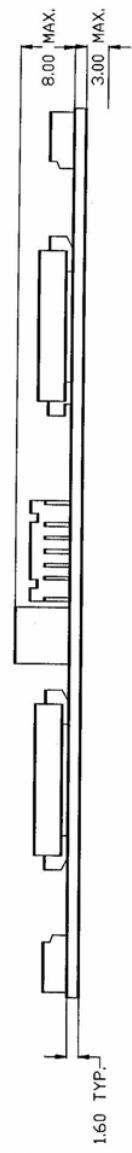


EQUIPMENT:

1. PROBE : TEKTRONIX P6015A 1000X
2. SCOPE : TEKTRONIX TDS3032
3. AC CURRENT METER: TEKTRONIX TM502A+AM503B CURRENT PROBE SYSTEM
4. DC POWER SUPPLY GW GPC-3060D



TOLERANCE : ±0.25mm
UNIT : mm



INPUT CONNECTOR (CN1): S5B-PH-SM3-TB OR EQUIV. OUTPUT CONNECTOR (CN3,5): SM02(8.0)B-BHS-1-TB OR EQUIV.
 PIN 1: VIN PIN 1: CCFL HV OUTPUT
 PIN 2: DIMMING CONTROL PIN 2: CCFL RTN
 PIN 3,4: GND
 PIN 5: ON/OFF CONTROL

