

ES-1110R-LSAE

1.0 ELECTRICAL CHARACTERISTICS:

1.1 ABSOLUTE MAXIMUM RATING :

ITEM	SYM	LIMITS	UNIT	REMARK
INPUT VOLTAGE	VIN	20	VDC	
OUTPUT POWER	PD	3	W	TOTAL OUTPUT POWER
OPERATING TEMPERATURE	Top	0-50	°C	
STORATING TEMPERATURE	Tstg	-20 - 85	°C	
RELATIVE HUMIDITY	RH	95	%	

1.2 OPERAING CHARACTERISTICS :

ITEM	SYM	Min.	TYP.	Max.	UNIT	REMARK
INPUT VOLTAGE	Vin	10.00	-----	18.00	VDC	
INPUT CURRENT	Iin	-----	-----	0.50	ADC	
LAMP CURRENT (Min.)	Imin	1.00	1.50	2.00	mA	RMS VALUE, Vdim=5V
LAMP CURRENT (Max.)	Imax	4.10	4.60	5.10	mA	RMS VALUE, Vdim=0 V
OUTPUT FREQUENCY	Fo	50.00	57.00	65.00	KHz	
INRUSH CURRENT	Iinr	-----	-----	1.50	ADC	
NO LOAD O/P VOLTAGE	Vnl	1350	1600	2100	Vrms	MEASURE ON TRANSFORMER SIDE
CONTROL ON VOTAGE	Von	4.50	-----	5.50	VDC	
CONTROL OFF VOLTAGE	Voff	0	0	0.40	VDC	
DIMMING CONTROL	Vdim	0	-----	5.00	VDC	
NO LOAD SHUTDOWN TIME	Tsd	1.00	-----	-----	SEC.	

2.0 INTERFACE SPECIFICATION :

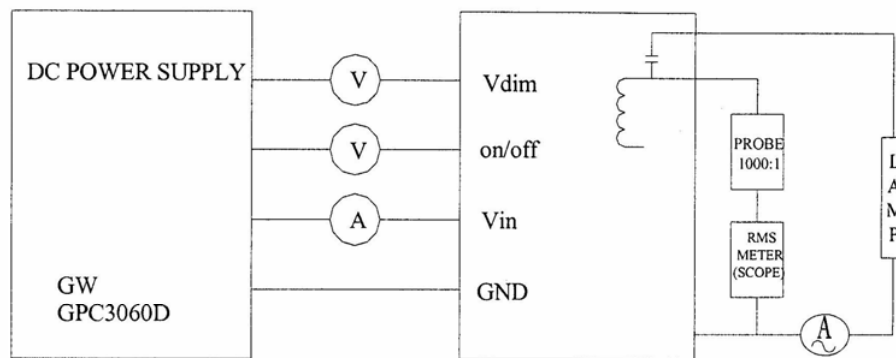
2.1 INPUT CONNECTOR (CN1) : S5B-PH-SM3-TB

PIN NUMBER	FUNCTION	REMARK
1	Vin	
2,4	GND	
3	Dimming Control	
5	ON/OFF Control	

2.2 OUTPUT CONNECTOR (CN2) : SMO2B-BHSS-1-TB OR EQUIV.

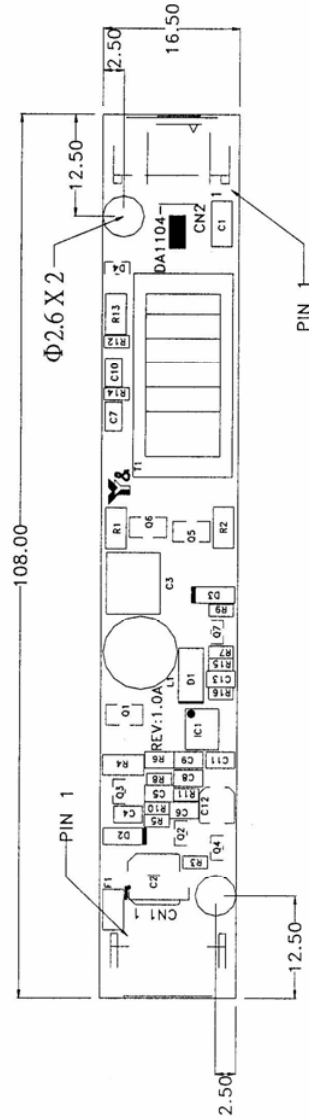
PIN NUMBER	FUNCTION	REMARK
1	CCFL HV	
2	CCFL RTN	

3.0 TESTING BLOCK DIAGRAM :

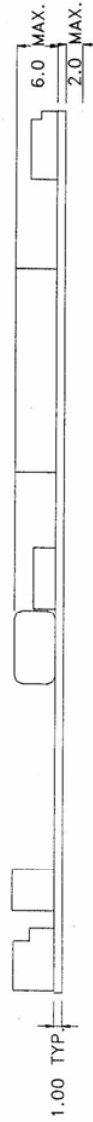


EQUIPMENT :

1. PROBE : TEKTRONIX P6015A
2. VRMS SCOP : TEKTRONIX TDS3032
3. AC CURRENT METER : FLUKE 45
4. DC POWER SUPPLY : GW GPC3036D



UNIT : mm
TOLERANCE : ±0.25mm



INPUT CONNECTOR (CN1) : S5B-PH-SM3-TB
PIN 1 : VIN
PIN 2,4 : GND
PIN 3 : DIMMING CONTROL
PIN 5 : ON/OFF CONTROL

OUTPUT CONNECTOR (CN2) : SM02B-BHSS-1-TB
PIN 1 : CCFL HV
PIN 2 : CCFL RTN