

Slim V.34 Telephone Line Interface with 2/4 Wire Hybrid

Description

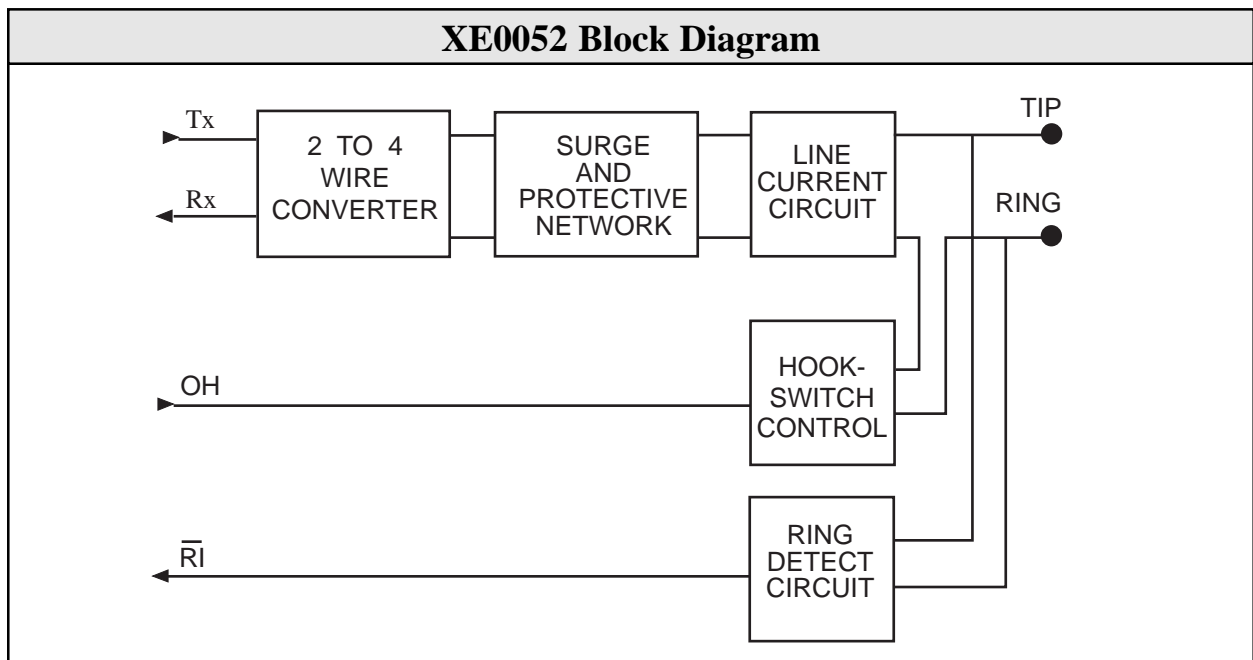
The XE0052S and XE0052T are compact telephone interface modules which support V.34 communications at data rates to 33,600 bps yet are just 0.31 inches thick and comply with FCC Part 68 Rules for connection to the public telephone network.

The XE0052S and XE0052T are complete DAAs. They include the 2-4 wire convertor to separate transmit and receive signals, ring detection, and the switch hook to control line access. The two models differ only in their RI outputs. The XE0052S has an integrated RI output which remains low for the duration of the ring. The XE0052T RI output is not integrated and provides a pulse train at twice the ring frequency.

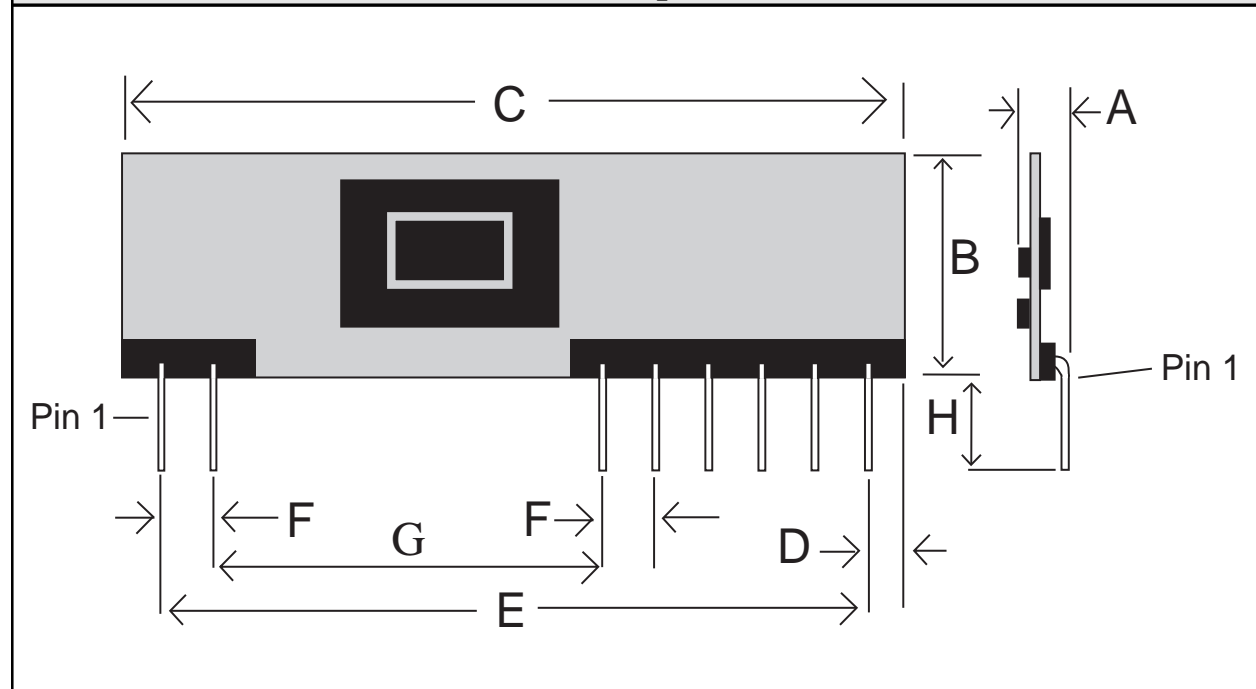
Xecom offers two mechanical variations for each of the XE0052S and XE0052T. The XE0052S1/T1 mount vertically to consume minimal board space. The XE0052S2/T2 mount horizontally to maintain a low profile. Both versions are electrically identical and share the same pin configuration.

Features

- * Small Size: just 1.5" by 0.5" by 0.32";
- * FCC Part 68 Compliant;
- * Internal 2-4 wire convertor separates transmit and receive signals
- * Two Ring Detect Options;
XE0052S1/S2: - Continuous Low Level
XE0052T1/T2 - Ring Signal Pulses
- * Single +5V Operation;
- * Hookswitch Control
- * Compatible with V.34 data transfer
- * Two Mechanical Variations
XE0052S1/T1 - Vertical Mount
XE0052S2/T2 - Horizontal Mount



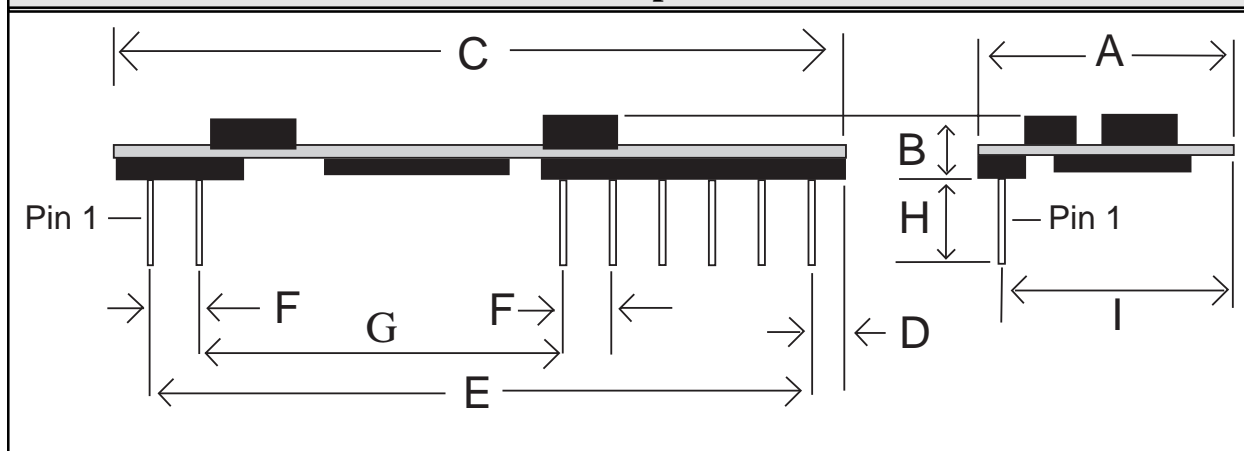
XE0052S1 and XE0052T1 Mechanical Specifications



Vertical Package

Dim	Inches		Millimeters	
	Min	Max	Min	Max
A	0.300	0.320	7.62	8.13
B	0.490	0.510	12.45	12.95
C	1.490	1.510	37.85	38.35
D	0.040	0.060	1.02	1.52
E	1.390	1.410	35.31	35.81
F	0.090	0.110	2.29	2.79
G	0.790	0.810	20.07	20.57
H	0.125	0.200	3.18	5.08

XE0052S2 and XE0052T2 Mechanical Specifications



Horizontal Package

Dim	Inches		Millimeters	
	Min	Max	Min	Max
A	0.490	0.510	12.45	12.95
B	0.320	0.330	8.13	8.38
C	1.490	1.510	37.85	38.35
D	0.040	0.060	1.02	1.52
E	1.390	1.410	35.31	35.81
F	0.090	0.110	2.29	2.79
G	0.790	0.810	20.07	20.57
H	0.125	0.200	3.18	5.08
I	0.440	0.450	11.18	11.43

XE0052 Pin Configuration (Top view)

8	7	6	5	4	3	2	1
0	0	0	0	0	0	0	0
/RI	RX	VCC	Gnd	TX	OH	Tip	Ring

XE0052 Pin Descriptions

Pin	Name	I/O	Description
1	Ring	---	Ring connection to the phone line (RJ11 Pin 4). The Ring pin has 1500 volts isolation from the rest of the circuitry. This isolation must be preserved throughout the system.
2	Tip	---	Tip Connection to the phone line (RJ11 Pin 3). The Tip pin has 1500 volts isolation from the rest of the circuitry. This isolation must be preserved throughout the system.
3	OH	I	Hookswitch relay control. A high on OH closes the internal relay and connects the equipment to the telephone line.
4	TX	I	TX provides the analog input signal to the 2-4 wire converter of the XE0052S. TX uses a 2.5 volt reference signal and therefore must be capacitively coupled to the host equipment.
5	GND	--	Ground
6	VCC	---	+5 Volts supply power
7	RX	O	RX provides the analog output signal from the 2-4 wire converter of the XE0052S. RX uses a 2.5 volt reference signal and therefore must be capacitively coupled to the host equipment.
8	/RI	O	Ring Indicate, output, active low, TTL. On the XE0052S a low on /RI indicates the modem is receiving a ring signal. The XE0052T provides a pulse string at twice the ring frequency when a ring is detected.

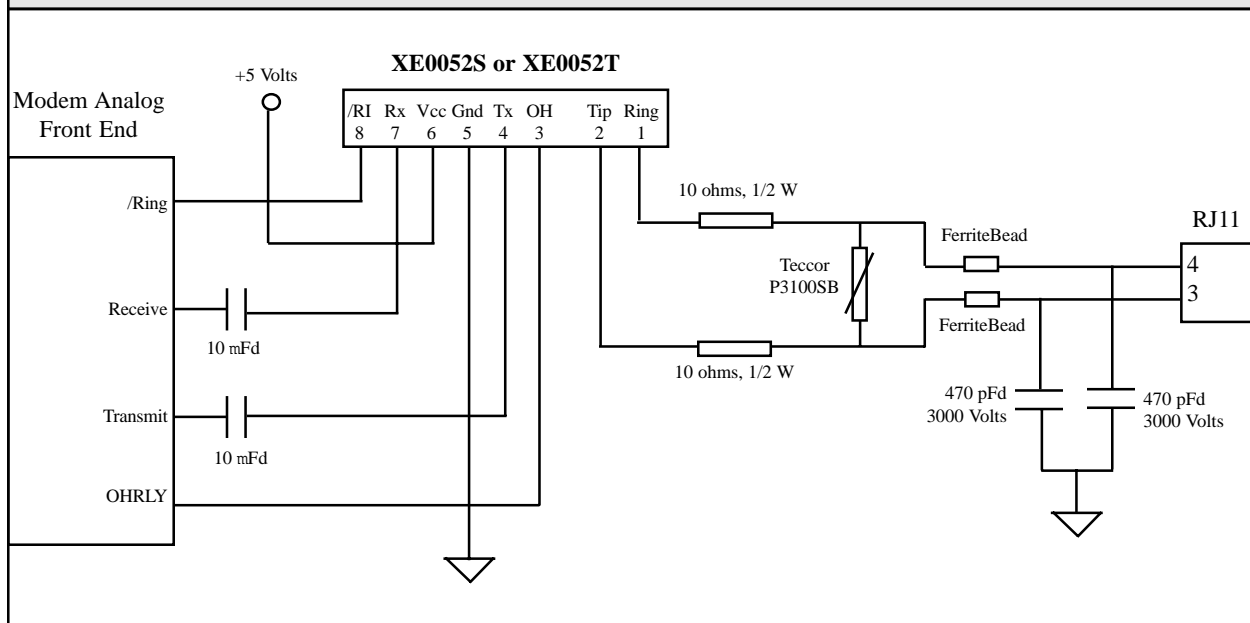
XE0052 Absolute Maximum Ratings

Storage Temperature	-25 ^o C to +85 ^o C
Operating Temperature Range	0 ^o C to +70 ^o C
Maximum Lead Temperature (soldering 2 seconds per wave)	260 ^o C

XE0052 Electrical Specifications (VCC = 5V + 10%, Ta = 0 to 70C)

Parameter	Conditions	Min	Typ	Max	Units
Power Supply Current	Ring Indicate Active		10	15	mA
Transmit Insertion loss	600 Ohm Impedence, 1000 Hz		0		dB
Receive Insertion loss	600 Ohm Impedence, 1000 Hz		0		dB
Line Impedance	At 1000 Hz	540	600	660	Ohms
Transhybrid Loss	Attenuation between transmitter input and receiver output at 1KHz with 600 ohm line termination	10	18		dB
Ring Detect Sensitivity	Min. AC voltage between Tip & Ring Type B ringer	38			Vrms
Ring Detect Peak Current	Ringing voltage of 40 Vrms applied between Tip & Ring	100			uA
Ring Detect Idle Current	No Ringing Voltage present			10	uA
Ring Indicate Output	Ring Voltage present on Tip and Ring		0.2	0.5	Volts
Loop Current Switch Control Voltage	ON: (off-hook)	2.0	3.0		Volts
	OFF: (on-hook)		0.2	0.5	Volts
Loop Current Switch Control Current	Off-Hook			0.5	mA

XE0052 Typical Connection Diagram



XE0052 FCC Instructions

When developing a product to be connected to the telephone line, it is necessary to use a circuit described as a Data Access Arrangement (DAA) which is approved by the appropriate governmental agency. In the US, for example, this agency is the Federal Communications Commission (FCC), while in Canada it is the Department of Communications (DOC). These agencies test and approve the product to ensure that it meets their specifications, thereby protecting the telephone system from damage and protecting the user from high voltage transients (such as lightning strikes) which may come down the telephone line.

The XE0052 has been designed to meet all FCC Part 68 requirements for hazardous voltage, surge protection and leakage current. If the system developed transmits data, or DTMF tones on the telephone line, the user must certify that the signals transmitted meet basic FCC requirements for maximum transmission levels, out of band energy and billing delay. Full details may be obtained from the FCC under Part 68 of the FCC Rules and Regulations, or in Title 47 of the Code of Federal Regulations, however the basic requirements are as follows:

1. Maximum Transmit Level

For the normal “permissive” (standard) telephone line, equipment which transmits data (such as a modem) must not exceed a transmission level of -9 dBm.

2. Out of Band Energy

Data equipment must not transmit “out of band” energy on the telephone line which exceeds the following limits:

Frequency		Range	Max. Power
200Hz	to	3990Hz	-9 dBm
3990Hz	to	4005Hz	-27 dBm
4005Hz	to	16kHz	-16 dBm
8kHz	to	94kHz	-47 dBm
86kHz	to	270kHz	-46 dBm
270kHz	to	6MHz	-6 dBm

3. DTMF Transmission Level

If the system is capable of DTMF dialing, the maximum DTMF transmission level must be less than 0 dBm averaged over a 3 second interval.

4. Billing Delay

A delay of 2 seconds or greater is required after the time the XE0052 is taken “off hook” and before any information is transmitted. This is required to ensure that billing information may be exchanged between telephone company central offices without interference.

The user of the XE0052 must certify to the FCC that the final system meets the requirements of Part 68 which include the criteria above as well as the high voltage protection provided by the XE0052. This is generally accomplished through an independent testing lab which tests the System and submits the proper paperwork to the FCC for approval. Since the XE0052 already complies with FCC Part 68 rules, this is a relatively simple process.

Terms of Sale

Devices sold by XECOM are covered by the warranty provisions appearing in its Terms of Sale only. XECOM makes no warranty, express, statutory, implied, or by description regarding the information set forth herein, or regarding the freedom of the described devices from patent infringement. XECOM makes no warranty of merchantability or fitness for any purposes. XECOM reserves the right to discontinue production and change specifications and prices at any time and without notice. This product is intended for use in normal commercial applications. Applications requiring extended temperature range, unusual environmental requirements, or high reliability applications, such as military, medical life-support or life-sustaining equipment, are specifically not recommended without additional processing and authorization by XECOM for such application.

Xecom assumes no responsibility for the use of any circuitry other than circuitry embodied in a Xecom product. No other circuits, patents, or licenses are implied.

Life Support Policy

Xecom's products are not authorized for use as Critical Components in Life Support Devices or Systems.

Life Support Devices or Systems are devices or systems which, (a) are intended for surgical implant into the body, or (b) support or sustain life, and whose failure to perform, when properly used in accordance with instructions provided in the labeling, can be reasonably expected to result in significant injury to the user.

A Critical Component is any component of a life support device or system whose failure to perform can be reasonably expected to cause failure of the life support device or system, or to affect its safety or effectiveness.

Copyright, Xecom © 1999

While Xecom, Inc. has made every effort to ensure that the information presented here is accurate, Xecom will not be liable for any damages arising from errors or omission of fact. Xecom reserves the right to modify specifications and/or prices without notice. Product mentioned herein are used for identification purposes only and may be trademarks and/or registered trademarks of their respective companies.



Xecom Incorporated
374 Turquoise Street, Milpitas, CA 95035
Ph:408-945-6640 Fax:408-942-1346
Email: info@xecom.com