

**Amplifier, Distributed Power, 0.5 W
2.0-18.0 GHz**

MAAPGM0053-DIE
903217 —
Preliminary Information

Features

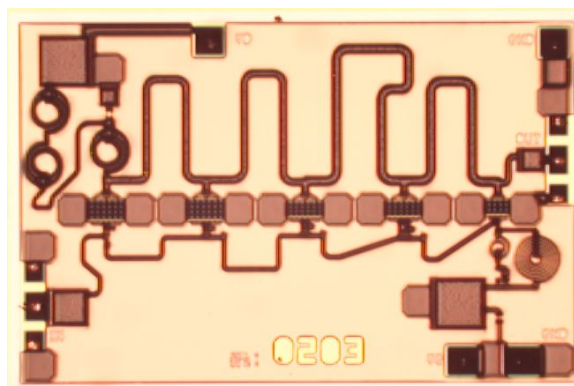
- ◆ **0.5 Watt Saturated Output Power Level**
- ◆ **Variable Drain Voltage (5-10V) Operation**
- ◆ **MSAG™ Process**
- ◆ **Proven Manufacturability and Reliability**
 - No Airbridges
 - Polyimide Scratch Protection
 - No Hydrogen Poisoning Susceptibility

Description

The MAAPGM0053-Die is a single stage power amplifier with on-chip bias networks. This product is fully matched to 50 ohms on both the input and output. It can be used as a power amplifier stage or as a driver stage in high power applications.

Fabricated using M/A-COM's repeatable, high performance and highly reliable GaAs Multifunction Self-Aligned Gate (MSAG™) Process, each device is 100% RF tested on wafer to ensure performance compliance.

M/A-COM's MSAG™ process features robust silicon-like manufacturing processes, planar processing of ion implanted transistors, multiple implant capability enabling power, low-noise, switch and digital FETs on a single chip, and polyimide scratch protection for ease of use with automated manufacturing processes. The use of refractory metals and the absence of platinum in the gate metal formulation prevents hydrogen poisoning when employed in hermetic packaging.



Primary Applications

- ◆ **Test Equipment**
- ◆ **Electronic Warfare**
- ◆ **Radar**

Electrical Characteristics: $T_B = 40^\circ\text{C}^1$, $Z_0 = 50\Omega$, $V_{DD} = 8\text{V}$, $I_{DQ} \approx 250 \text{ mA}^2$, $P_{in} = 22 \text{ dBm}$

Parameter	Symbol	Typical	Units
Bandwidth	f	2.0-18.0	GHz
Output Power	P_{OUT}	27.0	dBm
1 dB Compression Point	P_{1dB}	26	dB
Small Signal Gain	G	6	dB
Input VSWR	VSWR	1.5:1	
Output VSWR	VSWR	1.5:1	
Gate Supply Current	I_{GG}	3	mA
Drain Supply Current	I_{DD}	400	mA
Noise Figure	NF	7	dB

1. T_B = MMIC Base Temperature
2. Adjust V_{GG} between -2.4 and -1.5V to achieve I_{DQ} indicated.

M/A-COM Inc. and its affiliates reserve the right to make changes to the product(s) or information contained herein without notice. M/A-COM makes no warranty, representation or guarantee regarding the suitability of its products for any particular purpose, nor does M/A-COM assume any liability whatsoever arising out of the use or application of any product(s) or information.

• **North America** Tel: 800.366.2266 / Fax: 978.366.2266
 • **Europe** Tel: 44.1908.574.200 / Fax: 44.1908.574.300
 • **Asia/Pacific** Tel: 81.44.844.8296 / Fax: 81.44.844.8298

Visit www.macom.com for additional data sheets and product information.

**Amplifier, Distributed Power, 0.5 W
2.0-18.0 GHz**

MAAPGM0053-DIE
903217 —
Preliminary Information

Maximum Operating Conditions ³

Parameter	Symbol	Absolute Maximum	Units
Input Power	P _{IN}	25.0	dBm
Drain Supply Voltage	V _{DD}	+12.0	V
Gate Supply Voltage	V _{GG}	-3.0	V
Quiescent Drain Current (No RF, 40% Idss)	I _{DQ}	400	mA
Quiescent DC Power Dissipated (No RF)	P _{DISS}	4.0	W
Junction Temperature	T _J	180	°C
Storage Temperature	T _{STG}	-55 to +150	°C
Die Attach Temperature		310	°C

3. Operation outside of these ranges may reduce product reliability. Operation at other than the typical values may result in performance outside the guaranteed limits.

Recommended Operating Conditions

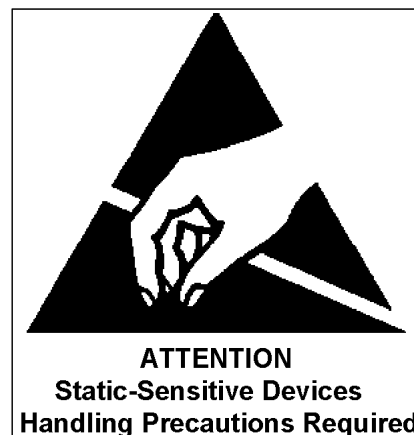
Characteristic	Symbol	Min	Typ	Max	Unit
Drain Supply Voltage	V _{DD}	5.0	8.0	10.0	V
Gate Supply Voltage	V _{GG}	-2.4	-2.0	-1.5	V
Input Power	P _{IN}		22.0	24.0	dBm
Junction Temperature	T _J			150	°C
Thermal Resistance	Θ _{JC}		19.6		°C/W
MMIC Base Temperature	T _B			Note 4	°C

4. Maximum MMIC Base Temperature = 150°C —Θ_{JC}* V_{DD} * I_{DQ}

Operating Instructions

This device is static sensitive. Please handle with care. To operate the device, follow these steps.

1. Apply V_{GG} = -2 V, V_{DD} = 0 V.
2. Ramp V_{DD} to desired voltage, typically 8 V.
3. Adjust V_{GG} to set I_{DQ}.
4. Set RF input.
5. Power down sequence in reverse. Turn V_{GG} off last.



**Amplifier, Distributed Power, 0.5 W
2.0-18.0 GHz**

MAAPGM0053-DIE
903217 —
Preliminary Information

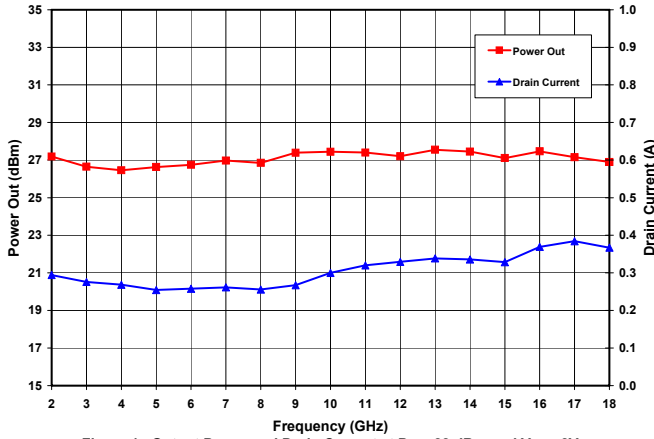


Figure 1. Output Power and Drain Current at $P_{in} = 22$ dBm and $V_{DD} = 8V$.

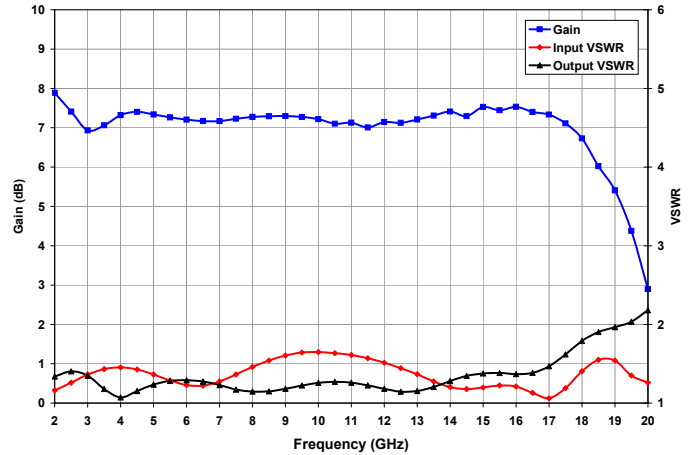


Figure 2. Small Signal Gain and VSWR at $V_D = 5V$

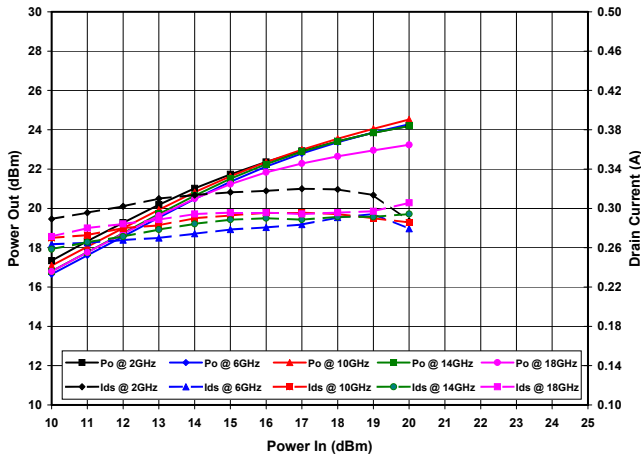


Figure 3. Output Power and Drain Current vs. Input Power at $V_{DD} = 5V$.

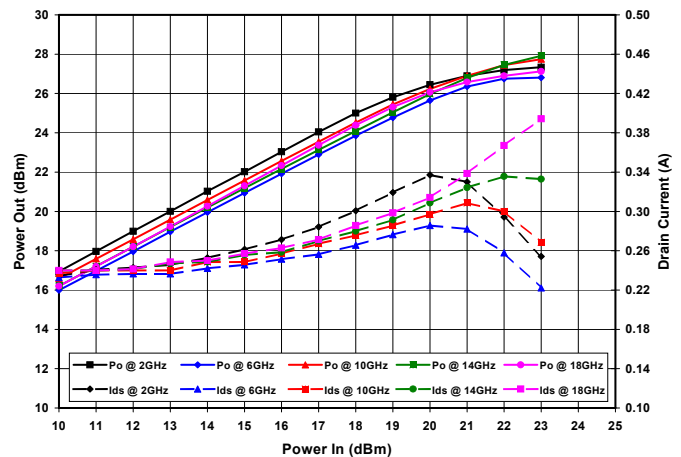


Figure 4. Output Power and Drain Current vs. Input Power at $V_{DD} = 8V$.

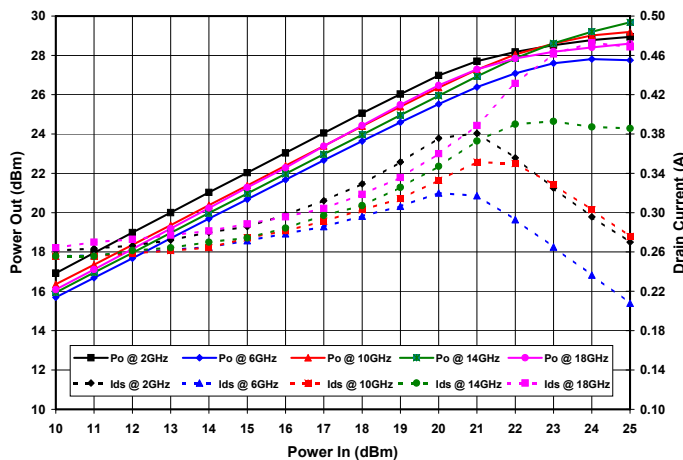


Figure 5. Output Power and Drain Current vs. Input Power at $V_{DD} = 10V$.

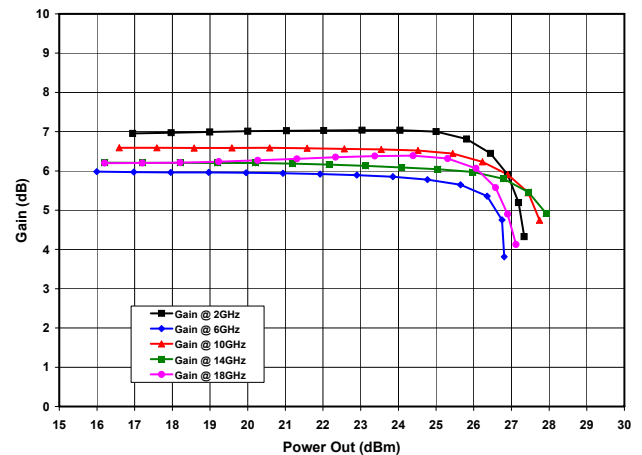


Figure 6. Compression Characteristics, Gain vs Power Out at $V_{DD} = 8V$.

Amplifier, Distributed Power, 0.5 W
2.0-18.0 GHz

MAAPGM0053-DIE
903217 —
Preliminary Information

Mechanical Information

Chip Size: 3.000 x 2.000 x 0.075 mm (118 x 79 x 3 mils)

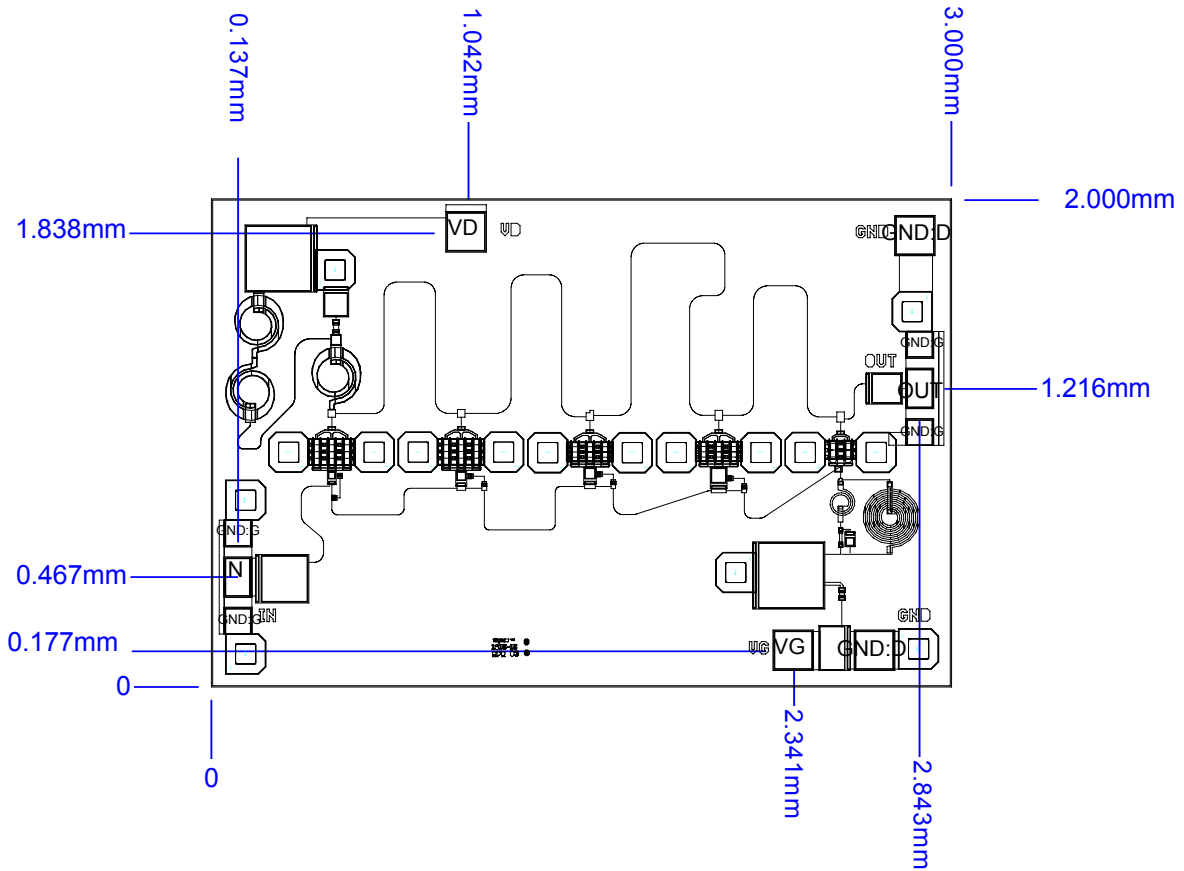


Figure 7. Die Layout

Chip edge to bond pad dimensions are shown to the center of the bond pad.

Bond Pad Dimensions

Pad	Size (µm)	Size (mils)
RF In and Out	100 x 150	4 x 8
DC Drain Supply Voltage VDD	150 x 150	8 x 6
DC Gate Supply Voltage VGG	150 x 150	4 x 6

Amplifier, Distributed Power, 0.5 W
2.0-18.0 GHz

MAAPGM0053-DIE
903217 —
Preliminary Information

Assembly and Bonding Diagram

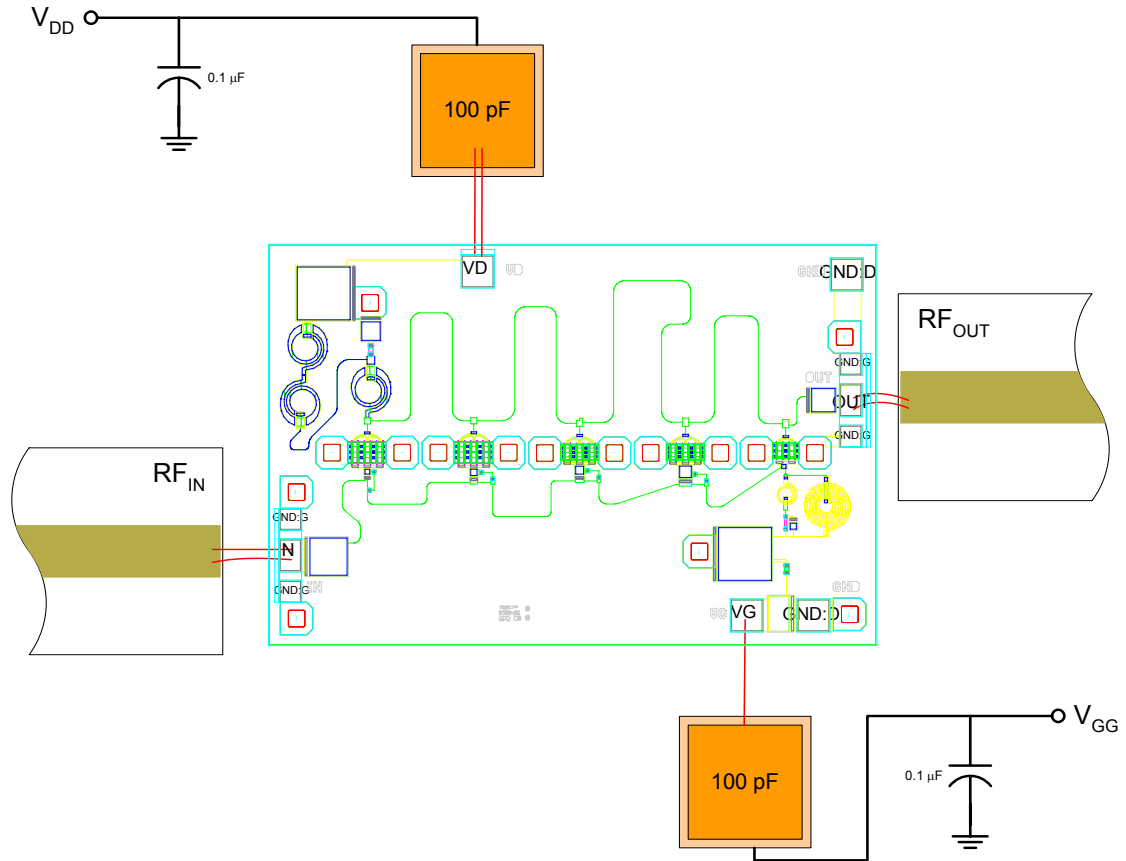


Figure 6. Recommended bonding diagram for pedestal mount. Support circuitry typical of MMIC characterization fixture for CW testing.

Assembly Instructions:

Die attach: Use AuSn (80/20) 1 mil. preform solder. Limit time @ 300 °C to less than 5 minutes.

Wirebonding: Bond @ 160 °C using standard ball or thermal compression wedge bond techniques. For DC pad connections, use either ball or wedge bonds. For best RF performance, use wedge bonds of shortest length, although ball bonds are also acceptable.

Biasing Note: Must apply negative bias to V_{GG} before applying positive bias to V_{DD} to prevent damage to amplifier.