

STK3042 III Series

★2ch./1package, \pm Power Supply

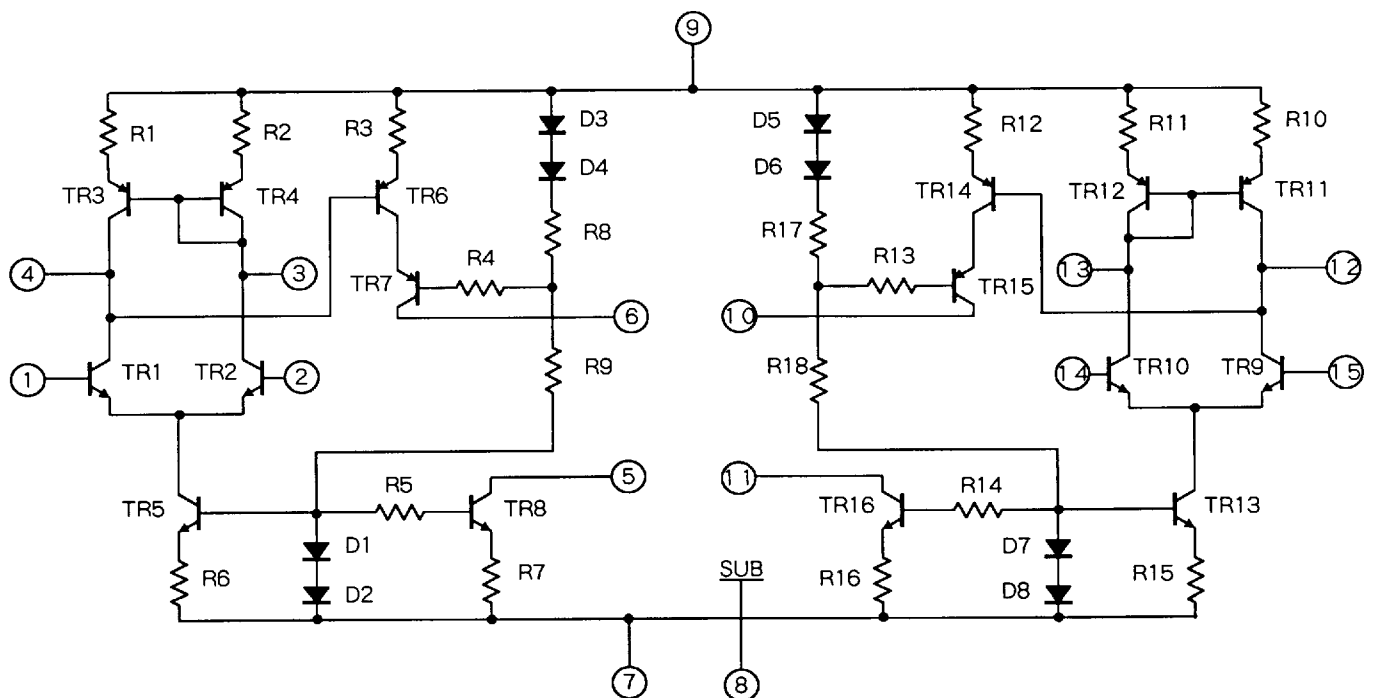
★Voltage Amplifier

★THD = 0.005%

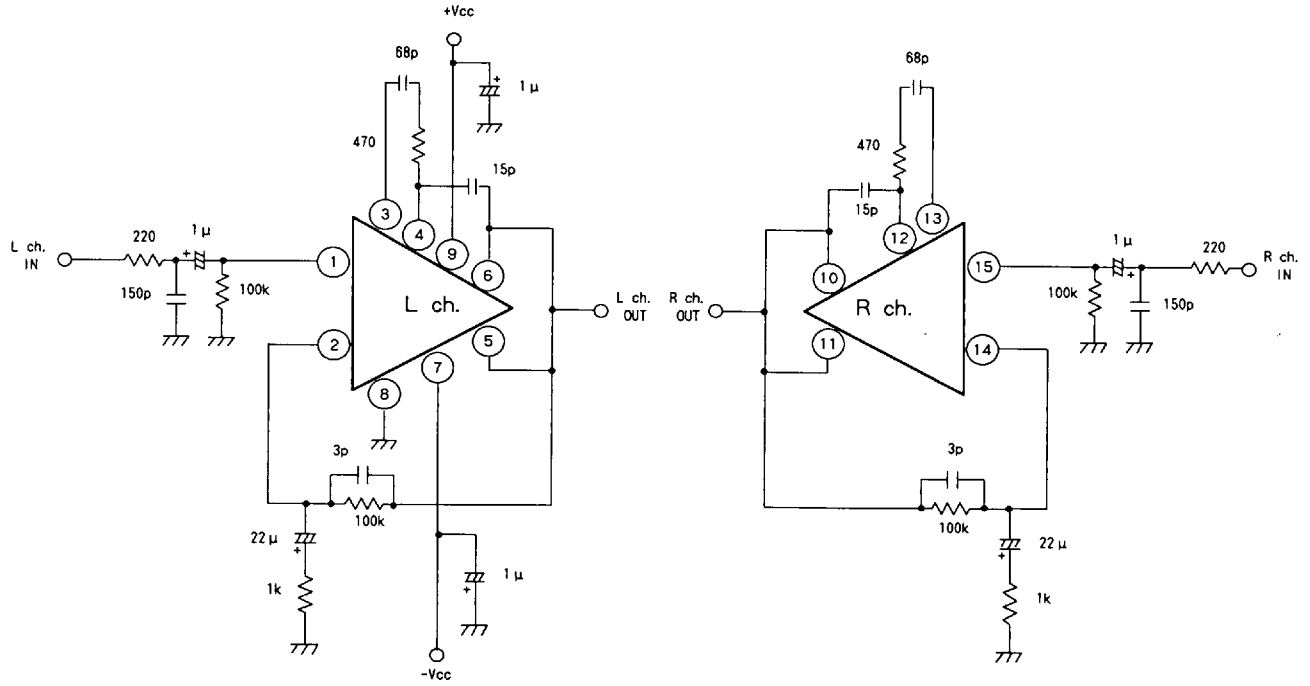
Model	Maximum Ratings 最大定格	Recommended Operating Conditions 推奨動作条件 [V]	Operating Characteristics (Recommend Operating Conditions at Test Circuit) 動作特性(Test Circuitにて 推奨動作条件による)	
	Vcc max [V]	Vcc [V]	Po max RL=8 Ω f=20~20kHz [W]	THD (V _G =40dB) [%]
*STK3042 III	± 55	± 36	40 ~ 60	0.005
*STK3062 III	± 59	± 41	60 ~ 80	0.005
*STK3082 III	± 65	± 47	80 ~ 90	0.005
*STK3102 III	± 75	± 50	90 ~ 100	0.005
*STK3122 III	± 80	± 55	100 ~ 120	0.005
*STK3152 III	± 90	± 60	120 ~ 150	0.005

* Under mass production

Equivalent Circuit

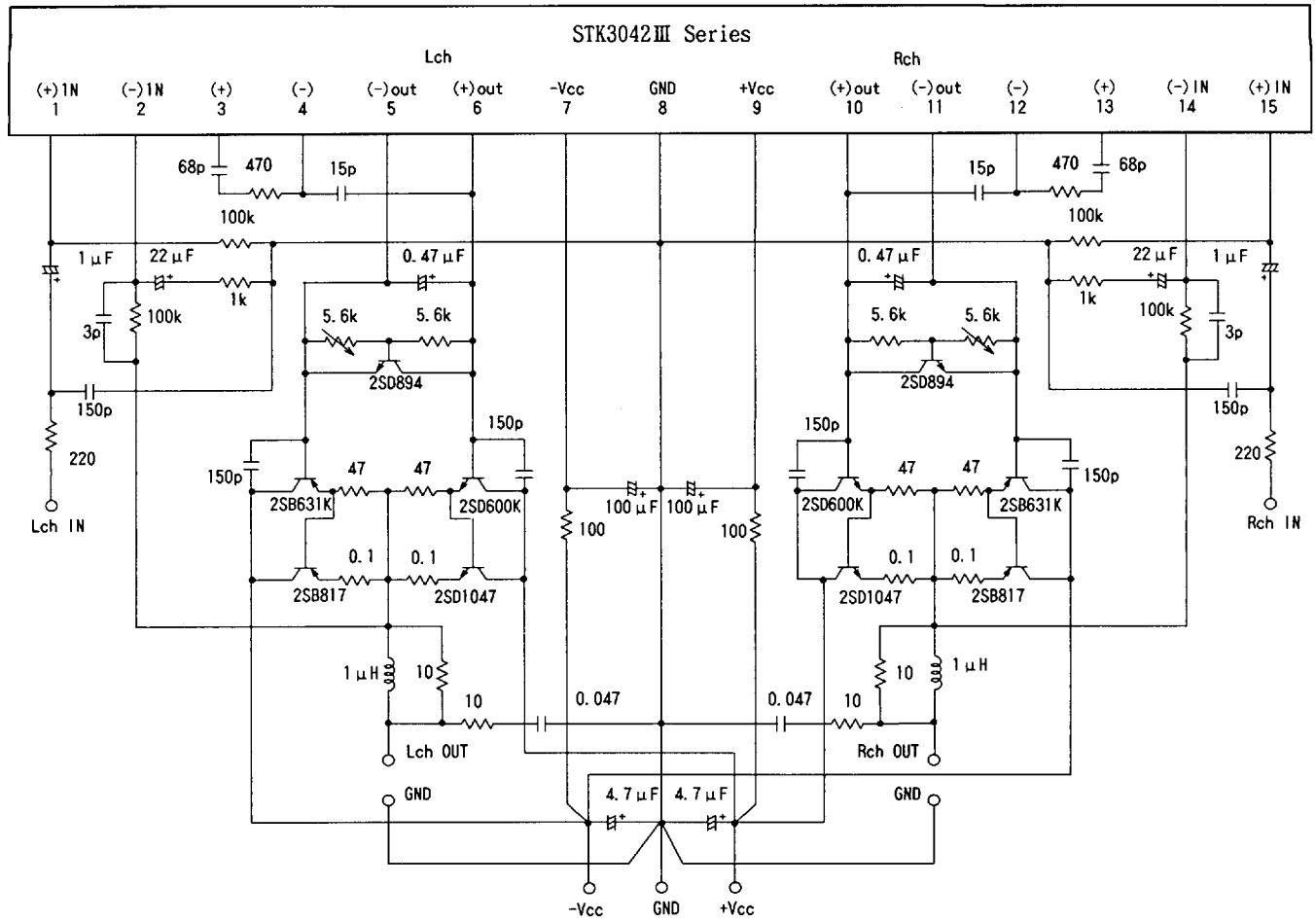


■ Test Circuit



STK Audio Power Amplifier

■ Application



■ Case Outline

