

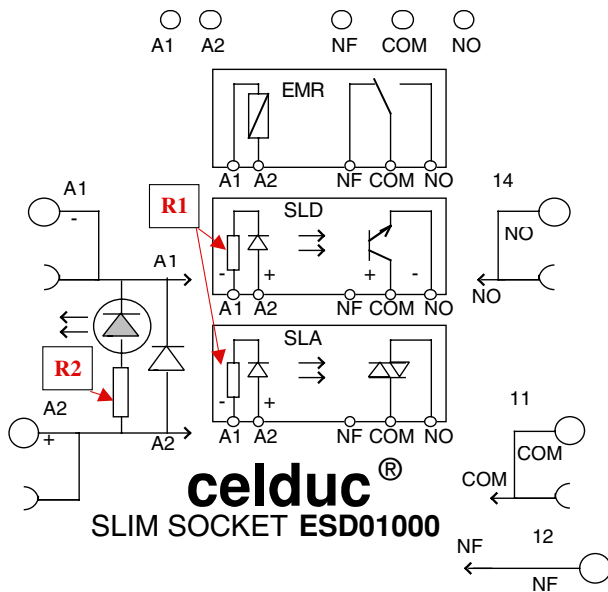
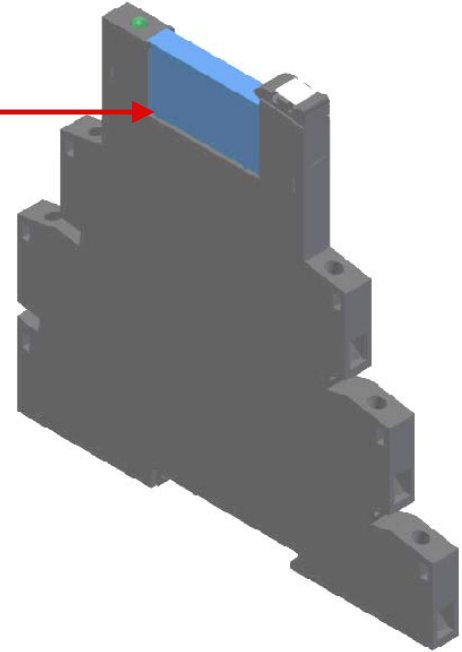


# SUPPORT DE RELAIS SLIM SLIM SOCKET

# ESD01000

Compatible avec les relais électromécaniques et les relais statiques **celduc** sortie continue SLD et sortie alternative SLA.

Compatible with Electromechanical Relays and **celduc** solid state relays with DC output SLD and AC output SLA



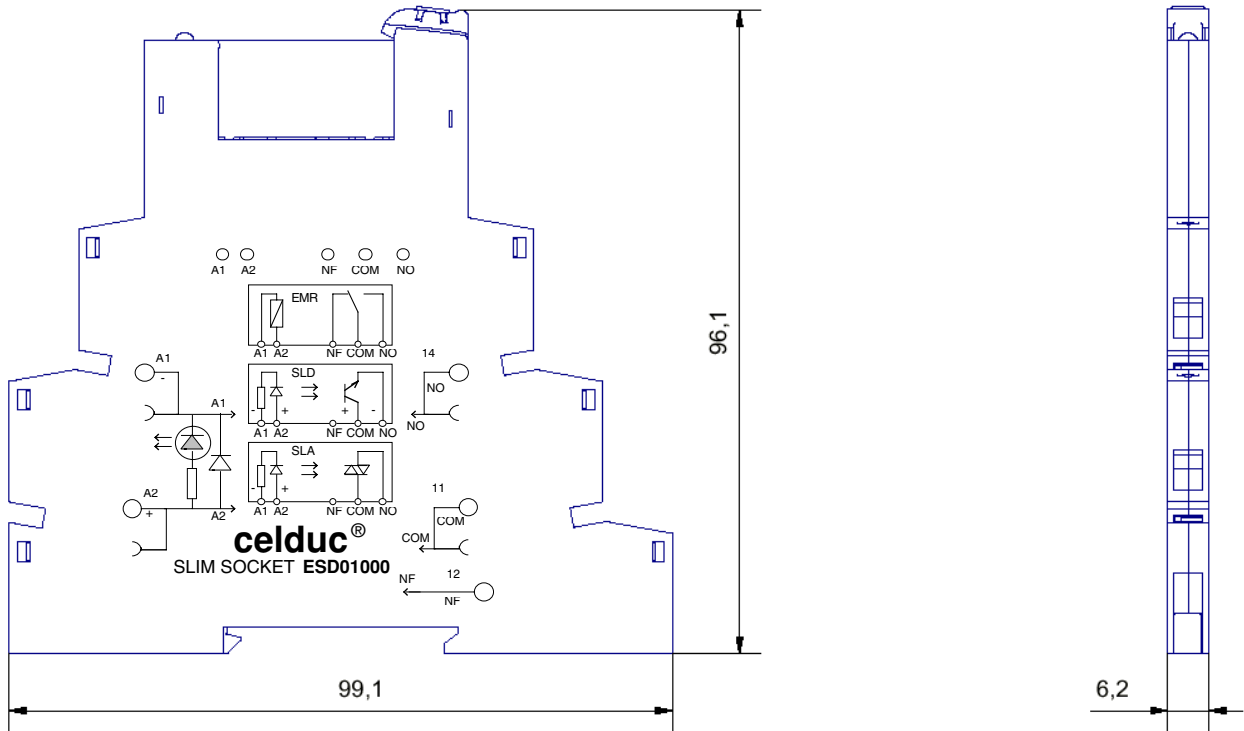
<b>celduc</b> SSR References	Commande/ Input control A1 - A2	Sortie /Output COM - NO	Input Resistance R1 // R2 (Ohms)	Input Current
<b>SLD01205</b>	3-10VDC	24VDC 4A	300Ω	13mA @ 5VDC
<b>SLD02205</b>	7-20VDC	24VDC 4A	900Ω	12mA @ 12VDC
<b>SLD03205</b>	18-32VDC	24VDC 4A	1850Ω	12,5mA @ 24VDC
<b>SLD01210</b>	3-10VDC	48VDC 2,5A	300Ω	13mA @ 5VDC
<b>SLD02210</b>	7-20VDC	48VDC 2,5A	900Ω	12mA @ 12VDC
<b>SLD03210</b>	18-32VDC	48VDC 2,5A	1850Ω	12,5mA @ 24VDC
<b>SLA01220</b>	3-10VDC	12-280VAC 2A	300Ω	13mA @ 5VDC
<b>SLA02220</b>	7-20VDC	12-280VAC 2A	900Ω	12mA @ 12VDC
<b>SLA03220</b>	18-32VDC	12-280VAC 2A	1850Ω	12,5mA @ 24VDC

*Proud to serve you*

# celduc<sup>®</sup>

r e l a i s

All technical characteristics are subject to change without previous notice.  
Caractéristiques sujettes à modifications sans préavis.

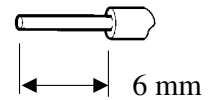


**Raccordement/Connections**

Section max de fil / Max. wire : 2,5 mm<sup>2</sup> / AWG 14

Tournevis / Screwdriver type : 2,5 x 0,5 mm

Couple de serrage / Screws torque : 0,5 Nm



**Plastique / Plastic Materials :**

Material Designation: **Grilon TS V0**

Product Description: Polyamide 66/6 (PA66/6), designated "Grilon" furnished as pellets.

Color	Min. Thick. (mm)	Flame Class	HWI	HAI	RTI Elec	RTI Imp	RTI Str	IEC GWIT	IEC GWFI
ALL	0.4	V-0	4	0	125	-	-	-	-
	0.8	V-0	4	0	125	105	120	-	-
	1.5	V-0	3	0	125	105	120	-	960
	3.0	V-0	2	0	125	105	120	-	960

CTI: 0

IEC CTI: -

HVTR: 0

D495: 5

IEC Ball Pressure (°C): -

Dielectric Strength (kV/mm): -  
ISO Tensile Strength (MPa): -  
ISO Tensile Impact (kJ/m<sup>2</sup>): -

Volume Resistivity (10<sup>9</sup>ohm-cm): -  
ISO Flexural Strength (MPa): -  
ISO Izod Impact (kJ/m<sup>2</sup>): -

Dimensional Stability(%): -  
ISO Heat Deflection (°C): -  
ISO Charpy Impact (kJ/m<sup>2</sup>): -

Report Date: 2/24/1998

Underwriters Laboratories Inc®



ISO 9001  
N° 1993/1106a

**celduc**<sup>®</sup>  
relais

www.celduc.com

Rue Ampère B.P. 4

42290 SORBIERS - FRANCE

E-Mail : celduc-relais@celduc.com

Fax +33 (0) 4 77 53 85 51

Service Commercial France Tél. : +33 (0) 4 77 53 90 20

Sales Dept.For Europe Tel. : +33 (0) 4 77 53 90 21

Sales Dept. Asia : Tél. +33 (0) 4 77 53 90 19