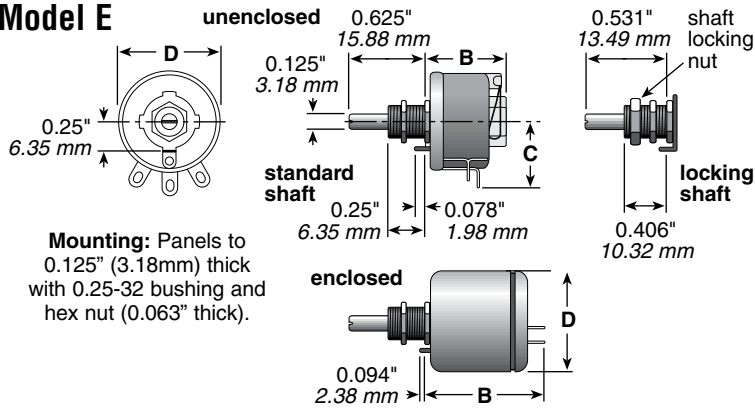
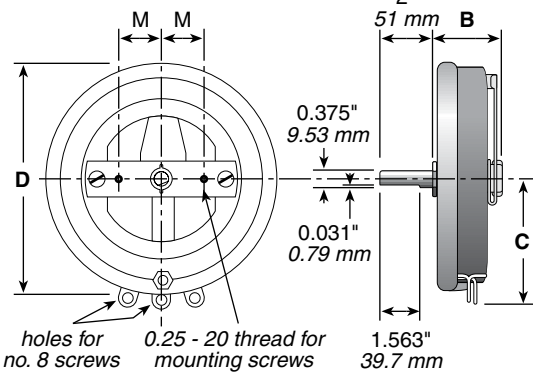


## Model E



**Mounting:** Panels to 0.125" (3.18mm) thick with 0.25-32 bushing and hex nut (0.063" thick).

## Models P, N, R, U



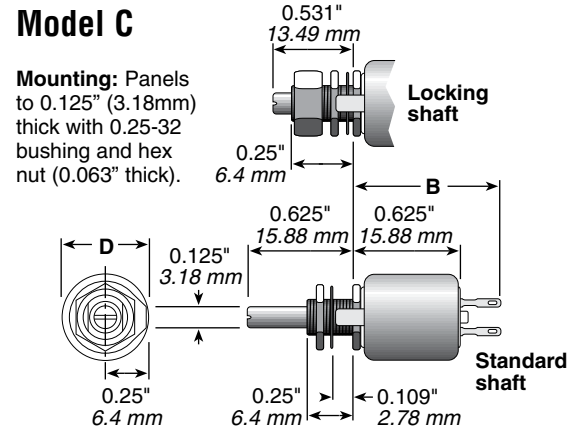
**Dimension "M"**

P	0.875"	22.23 mm
N	1.188"	30.16 mm
R	1.5"	38.1 mm
U	3"	76.2 mm

**Mounting:** Panels to 1.25" (31.75mm) thick with 0.25-20 flat-head screws.

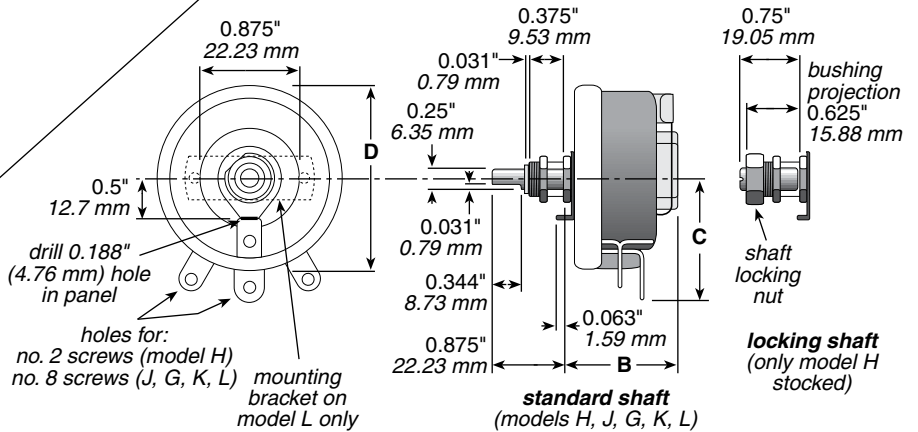
# Rheostats (Potentiometers) Wirewound

## Model C



**Mounting:** Panels to 0.125" (3.18mm) thick with 0.25-32 bushing and hex nut (0.063" thick).

## Models H, J, G, K, L



**Mounting:** Panels to 0.25" (6.35mm) thick with 0.375-32 bushing and hex nut (0.094" thick) (or with 10-32 x 0.75 F.H. screws for model L only).

Dimensions for reference only; consult factory for details.

Since all rheostats/potentiometers are electro-mechanical devices, they are subject to mechanical wear and, therefore, have a finite life.

Models H, J, K, L and N are listed under UL Reexamination Service File No. E-10946 and CSA File No. 21309 unless noted otherwise.

See page 82 for knobs, dials, and other hardware

All rheostats are 10% tolerance.

## ORDERING INFORMATION

E = RoHS compliant

Series: Rheostats, Wirewound, Potentiometers

**RCSR50E**

Code	Watts	Model	Shaft	Core	Resistance Value*
CL =	7.5	C	Locking	Enclosed	R50 = 0.50Ω
CS =	7.5	C	Standard	Enclosed	1R0 = 1Ω
EE =	12.5	E	Standard	Enclosed	7R5 = 7.5Ω
EL =	12.5	E	Locking	Open	250 = 250Ω
ES =	12.5	E	Standard	Open	1K0 = 1,000Ω
GS =	75	G	Standard	Open	1K75 = 1,750Ω
HL =	25	H	Locking	Open	4K5 = 4,500Ω
HS =	25	H	Standard	Open	50K = 50,000Ω
JS =	50	J	Standard	Open	
KS =	100	K	Standard	Open	
LS =	150	L	Standard	Open	
NS =	300	N	Standard	Open	
PS =	225	P	Standard	Open	
RS =	500	R	Standard	Open	
US =	1000	U	Standard	Open	

\*Check Table for Standard Resistance Values and Maximum Current Values

Model	Type	Watts	Ohmic range	Core	Max. Voltage (RMS)*	Behind panel "B" (In./mm)	Diameter "D" (In./mm)	Dimension "C" (In./mm)	Shaft torque	Rotation (±5°)
E	RES/REL	12.5	1.0-15K	open	305	0.688/17.46	0.875/ 22.23	0.594/15.08	1-6 oz. in.	300°
H	RHS/RHL	25	1.0-25K	open	500	1.375/34.93	1.560/ 39.62	0.940/23.88	0.25-0.5 lb. in.	300°
J	RJS	50	0.5-50K	open	750	1.375/34.93	2.31 / 58.67	1.56 /39.62	0.25-2 lb. in.	300°
G	RGS	75	0.5-50K	open	900	1.750/44.45	2.75 / 69.25	1.78 /45.21	0.5-2 lb. in.	300°
K	RKS	100	0.5-50K	open	1000	1.750/44.45	3.125/ 79.38	1.91 /48.51	0.5-2 lb. in.	300°
L	RLS	150	0.5-50K	open	1200	2.000 / 50.8	4.00 /101.60	2.28 /57.91	0.5-3 lb. in.	300°
P	RPS	225	1.0-30K	open	1300	2.125/53.98	5.00 /127.00	2.97 /75.44	2.5-4 lb. in.	310°
N	RNS	300	1.0-50K	open	1225	2.375/60.33	6.00 /152.40	3.44 /87.38	2.5-5 lb. in.	320°
R	RRS	500	1.0-20K	open	1450	2.125/53.98	8.00 /203.20	4.31/109.47	4.5-7 lb. in.	325°
U	RUS	1000	1.0-20K	open	1600	3.000 / 76.2	12.00 /304.80	6.38/162.05	3.5-7 lb. in.	335°
C	RCS/RCL	7.5	10.0-5K	enclosed	305	0.875/22.23	0.515/ 13.08	—	0.25-3 oz. in.	300°
E	REE	12.5	1.0-15K	enclosed	305	1.219/30.96	1.047/ 26.59	—	1-6 oz. in.	300°

- Models H, J, G, and K also available in enclosed versions.
- See Catalog #203 for complete details.
- RoHS compliant product available. Add "E" suffix to part number to specify.
- Made-to-order rheostats available: Contact nearest Ohmite sales office.
- \* Voltage rating dependent on resistance value.

## STANDARD PART NUMBERS FOR RHEOSTATS

Ohmic value	7.5W Model C			12.5W Model E			25W Model H			50W Model J	75W Model G	100W Model K	150W Model L	225W Model P	300W Model N	500W Model R	1000W Model U
	Part No. Prefix □ Suffix □	Std. shaft Locking	Amps max.	Std. shaft Locking	Enclosed	Amps max.	Std. shaft Locking	Amps max.	Amps max.	Amps max.	Amps max.	Amps max.	Amps max.	Amps max.	Amps max.	Amps max.	Amps max.
0.5 —R50									✓ 10.0	✓ 12.3	✓ 14.1	✓ 17.3					
1 —1R0				✓	✓	3.53	✓	✓	✓ 7.07	✓ 8.66	✓ 10	✓ 12.3	✓ 15.0	✓ 17.32	✓ 22.3	✓ 31.6	
1.5 —1R5				✓	✓		✓	✓							✓ 18.2	✓ 25.8	
2 —2R0				✓	✓	2.50	✓	✓	✓ 5.00	✓ 6.12	✓ 7.07	✓ 8.65	✓ 10.6	✓ 12.24	✓ 15.8	✓ 22.4	
2.5 —2R5				✓	✓	2.24	✓	✓							✓ 14.1	✓ 20.0	
3 —3R0				✓	✓	2.04	✓	✓	✓ 2.88	✓ 5.00	✓ 5.75	✓ 7.07	✓ 8.66	✓ 10.00	✓ 12.9	✓ 18.3	
4 —4R0									✓ 3.53				✓ 7.50	✓ 8.66	✓ 11.2	✓ 15.8	
5 —5R0				✓	✓	1.58				✓ 3.88	✓ 4.47	✓ 5.48	✓ 6.71	✓ 7.75	✓ 10.0	✓ 14.1	
6 —6R0				✓	✓	1.44	✓	✓	✓ 2.04	✓ 2.88			✓ 5.49	✓ 6.32			
7.5 —7R5										✓ 3.16	✓ 3.65	✓ 4.47					
8 —8R0				✓	✓	1.25	✓	✓	✓ 2.50						✓ 7.90	✓ 11.2	
10 —10R	✓	✓	0.86	✓	✓	1.12	✓	✓	✓ 1.58			✓ 2.74	✓ 3.16	✓ 3.88	✓ 4.74	✓ 5.48	✓ 10.0
12 —12R									✓ 2.04								
12.5 —12R5															✓ 6.30	✓ 8.95	
15 —15R	✓	✓	0.71	✓	✓	0.91	✓	✓	✓ 1.29			✓ 3.163	✓ 3.87	✓ 4.47			
16 —16R									✓ 1.76	✓ 2.17	✓ 2.50				✓ 5.60	✓ 7.90	
22 —22R									✓ 1.50								
25 —25R	✓	✓	0.55	✓	✓	0.71	✓	✓	✓ 1.00	✓ 1.73	✓ 2.0	✓ 2.450	✓ 3.00	✓ 3.46	✓ 4.47	✓ 6.33	
35 —35R	✓	✓	0.46	✓	✓	0.60	✓	✓	✓ 0.845	✓ 1.19		✓ 2.070			✓ 3.54		
40 —40R																	
50 —50R	✓	✓	0.39	✓	✓	0.50	✓	✓	✓ 0.707	✓ 1.00	✓ 1.23	✓ 1.41	✓ 1.735	✓ 2.12	✓ 2.45	✓ 3.16	✓ 4.47
75 —75R	✓	✓	0.32	✓	✓	0.40	✓	✓	✓ 0.575	✓ 1.00	✓ 1.15	✓ 1.415	✓ 1.73	✓ 2.00	✓ 2.52	✓ 3.65	
80 —80R									✓ 0.790						✓ 2.52		
100 —100	✓	✓	0.27	✓	✓	0.36	✓	✓	✓ 0.500	✓ 0.866	✓ 1.00	✓ 1.225	✓ 1.50	✓ 1.73	✓ 3.16	✓ 4.47	
125 —125				✓	✓	0.32	✓	✓	✓ 0.445	✓ 0.630					✓ 2.00		
150 —150	✓	✓	0.22	✓	✓	0.29			✓ 0.575			✓ 1.000	✓ 1.22	✓ 1.41			
160 —160																	
175 —175				✓	✓	0.27	✓	✓	0.375						✓ 1.69	✓ 2.39	
200 —200	✓	✓	0.19	✓	✓	0.25				✓ 0.612	✓ 0.707	✓ 0.865	✓ 1.06	✓ 1.22			
225 —225									✓ 0.470								✓ 2.11
250 —250	✓	✓	0.17	✓	✓	0.22	✓	✓	0.316			✓ 0.775			✓ 1.41	✓ 1.83	
300 —300									✓ 0.408	✓ 0.500	✓ 0.575		✓ 0.866	✓ 1.00	✓ 1.24		
325 —325																	
350 —350	✓	✓	0.15	✓	✓	0.19	✓	✓	0.267			✓ 0.655					
400 —400										✓ 0.433	✓ 0.500		✓ 0.750	✓ 0.866			✓ 1.48
500 —500	✓	✓	0.12	✓	✓	0.16	✓	✓	0.222	✓ 0.316	✓ 0.388	✓ 0.447	✓ 0.548			✓ 1.00	✓ 1.41
600 —600														✓ 0.567	✓ 0.655		
700 —700																	
750 —750	✓	✓	0.10	✓	✓	0.13	✓	✓	0.182		✓ 0.316	✓ 0.365	✓ 0.447		✓ 0.817	✓ 1.15	
800 —800									✓ 0.250								
900 —900														✓ 0.500	✓ 0.578	✓ 0.707	✓ 1.00
1000 —1K0	✓	✓	0.086	✓	✓	0.10	✓	✓	0.155	✓ 0.224	✓ 0.274	✓ 0.316		✓ 0.433	✓ 0.500		
1200 —1K2																	
1250 —1K25													✓ 0.346				
1500 —1K5	✓	✓	0.071	✓	✓	0.090	✓	✓	0.129		✓ 0.224	✓ 0.258	✓ 0.387	✓ 0.447	✓ 0.577	✓ 0.816	
1600 —1K6									✓ 0.176								
1750 —1K75														✓ 0.358	✓ 0.414		
1800 —1K8													✓ 0.288				
2000 —2K0										✓ 0.194	✓ 0.224		✓ 0.336	✓ 0.387	✓ 0.500		
2250 —2K25													✓ 0.259				
2500 —2K5	✓	✓	0.055	✓	✓	0.070	✓	✓	0.100	✓ 0.141	✓ 0.173	✓ 0.200		✓ 0.300	✓ 0.346	✓ 0.447	✓ 0.633
3000 —3K0													✓ 0.224				
3500 —3K5	✓	✓	0.046	✓	✓	0.060	✓	✓	0.084	✓ 0.119							
4500 —4K5													✓ 0.182				
5000 —5K0	✓	✓	0.039	✓	✓	0.050	✓	✓	0.070	✓ 0.100	✓ 0.123	✓ 0.141					
7500 —7K5				✓	✓	0.041	✓	✓	0.058		✓ 0.100	✓ 0.115	✓ 0.141				
8000 —8K0									✓ 0.079				✓ 0.122				
10000 —10K				✓	✓	0.035	✓	✓	0.050	✓ 0.070	✓ 0.087	✓ 0.100					
12500 —12K5				✓	✓	0.031	✓	✓									
15000 —15K				✓	✓	0.029	✓	✓	0.041	✓ 0.058							
20000 —20K							✓	✓	0.035	✓ 0.050							
25000 —25K							✓	✓	0.032	✓ 0.045							
30000 —30K										✓ 0.041							
40000 —40K										✓ 0.035							
50000 —50K										✓ 0.032							

✓ = Standard values; check availability  
 Rheostats are silicone-ceramic coated at and  
 above the following ohmic values:  
 Model C: all                      Model G: 5000  
 Model E: 3500                    Model K: 7500  
 Model H: 7500                    Model L: 7500  
 Model J: 15,000

Check product availability at  
[www.ohmite.com](http://www.ohmite.com)