

TFRA84J13 Ultraframer DS3/E3/DS2/E2/DS1/E1/DS0

1 Introduction

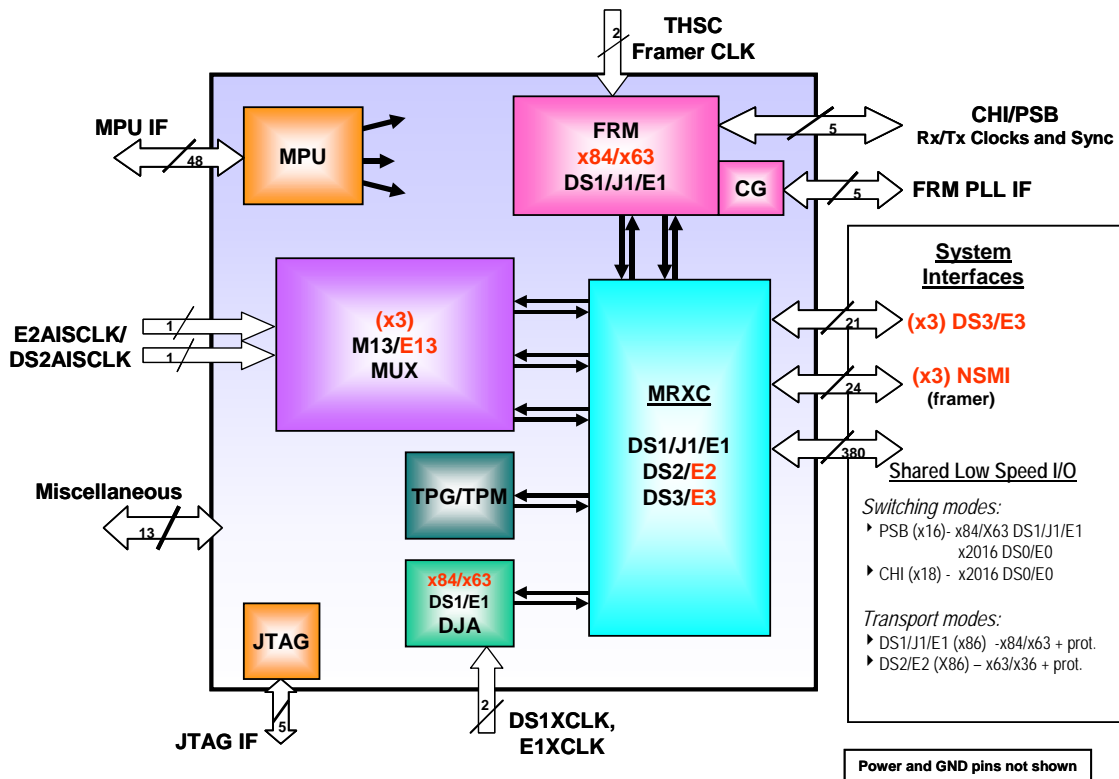
The documentation package for the TFRA84J13 Ultraframer DS3/E3/DS2/E2/DS1/E1/DS0 chip consists of the following documents:

- The *Ultramapper™* Family Register Description and the *Ultramapper* Family System Design Guide. These documents are available on a password protected website.
- The Ultraframer Product Description (this document) and the Ultraframer Hardware Design Guide. These documents are available on the public website shown below.

To contact Agere, please see the last page of this document.

To access related documents, including the documents mentioned above, please go to the following public website, or contact your Agere representative:

http://www.agere.com/telecom/mappers_muxes.html



10/10/02

Figure 1-1. Ultraframer Block Diagram and High-Level Interface Definition

1 Introduction 1

2 Features 3

 2.1 Test Pattern Generator/Monitor (TPG/TPM) (x1) 3

 2.2 M13/E13 MUX (x3) 3

 2.2.1 M13 3

 2.2.2 E13 3

 2.3 DS1/J1/E1 Framing (FRM) (3x28/21) 4

 2.4 DS3/E3/DS2/E2/DS1/E1 Multirate Cross Connect (MRXC) (x1) 4

 2.5 DS1/E1 Digital Jitter Attenuation (DJA) (3x28/21) 5

 2.6 Microprocessor Unit (MPU) (x1) 5

 2.7 JTAG 5

3 Overview 6

4 Application Diagrams 7

 4.1 DS3/E3 to/from DS1/E1 Application 7

 4.2 DS3/E3 to/from DS0/E0 Application 8

 4.3 DS1/E1 to/from DS0/E0 Application 9

5 Block Description 10

 5.1 M13/E13 Multiplexer (M13/E13 MUX) 10

 5.1.1 M13 MUX 10

 5.1.1.1 Receive Direction 10

 5.1.1.2 Transmit Direction 10

 5.1.2 E13 MUX 10

 5.2 Multirate Cross Connect (MRXC) 11

 5.3 DS1 Digital Jitter Attenuator (DS1/E1 DJA) 11

 5.4 Test Pattern Generator/Monitor (TPG/TPM) 11

 5.5 Clock Generator (CG) 12

 5.6 Framer (FRM) 12

 5.6.1 Line Decoder/Encoder 12

 5.6.2 Receive Frame Aligner/Transmit Frame Formatter 12

 5.6.3 Receive Performance Monitor 12

 5.6.4 Signaling Processor 13

 5.6.5 Facility Data Link (FDL) Processor 13

 5.6.6 HDLC Unit 13

6 Glossary 14

2 Features

- Versatile IC supports solutions for DS3/E3, DS2/E2, DS1/J1/E1, and DS0/J0/E0 applications.
- Terminates up to 84 DS1/J1 or 63 E1 framed or unframed signals. All popular framing formats are supported.
- Terminates up to three DS3/E3, 21 DS2, or 12 E2 signals.
- 3.3 V I/O, 1.5 V CORE, low power (<2.5 W) and $-40\text{ }^{\circ}\text{C}$ to $+85\text{ }^{\circ}\text{C}$ temperature range allows for uncontrolled or convection cooled environments.
- Loopbacks, manual error insertion, internal pattern generator/monitor, and internal cross connects simplify debugging and diagnostics.
- Standard 909-pin ball grid array (PBGA) with 35 mm square with 1.0 mm square ball pitch.
- Complies with all appropriate *Telcordia*[®], ITU, *ANSI*[®], ETSI, and Japanese TTC standards as noted.

2.1 Test Pattern Generator/Monitor (TPG/TPM) (x1)

- Configurable test pattern generator: DS1, E1, and DS2 formats.
- Provisionable test pattern data from the following options: quasirandom signal source (QRSS), pseudorandom bit stream length of $2^{15}-1$ (PRBS15), PRBS20, PRBS23, alternating 1 and 0 (ALT_01), ALL_ONES, user pattern (16 bits, repeating).
- The DS1 and E1 test patterns can be transmitted either unframed or as the payload of a framed signal as defined in ITU-T.
- Under register control, single bit or framing (DS1/E1 only) errors can be injected into any test pattern.
- Any sink or receiving channel can be replaced by a test pattern monitor, which can detect and count bit errors or misconfigurations, and/or detect idle conditions or AIS.
- Datalink (DS1-ESF DL) and SSM (E1 multiframe Sa) fields read/writable.
- Supports all Ultraframer modes of operation.
- Complies with T1.107, T1.231, T1.403, G.703, G.704, and O.150.

2.2 M13/E13 MUX (x3)

2.2.1 M13

- Configurable multiplexer/demultiplexer for 28 DS1 signals, 21 E1 signals, or seven DS2 signals to/from a DS3 signal.
- Operates in either M23 or C-bit parity mode.
- Provisionable time-slot selection for DS1, E1, and DS2 insertion or drop.
- Full alarm monitoring and generation (LOS, BPV, EXZ, OOF, SEF, AIS, RAI, FEAC, P-bit and C-bit parity errors, and FEBE).
- DS3 forced loopback and DS2, DS1, and E1 forced loopback and loopback request generation.
- Complies with T1.102, T1.107, T1.231, T1.403, T1.404, GR 499, G.747, and G.775.

2.2.2 E13

- Configurable multiplexer/demultiplexer for up to 16 E1 signals or four E2 signals, to/from an E3 signal.
- Independently configurable four E12 multiplexer/demultiplexers for up to 16 E1 signals to/from four E2 signals.
- Provisionable time-slot selection for E1 and E2 insertion or drop via the multirate cross connect functional block.
- E12 and E23 multiplexers capable of generating alarm indication signal (AIS) and remote alarm indicator (RAI) signals.
- Configurable HDB3 encoder/decoder for E3 output/input.
- E1 and E2 transmit path monitors that detect loss-of-clock (LOC) and AIS.
- E2 receive path monitor that detects LOC, AIS, and RAI.
- E3 receive monitor that detects loss-of-signal (LOS), LOC, bipolar violation (BPV), AIS, and RAI.
- E3 and E2 loopback modes.
- Complies with ITU G.703, G.742, G.751, and G.775.

2.3 DS1/J1/E1 Framing (FRM) (3x28/21)

- 28/21 DS1/J1/E1 channels.
- Line coding: B8ZS, HDB3, ZCS, AMI.
- Note:** Available only on 18 channels out of 84/63.
- DS1 framing modes: ESF, D4, SLC[®]-96, T1 DM DDS, and SF (Ft only).
- E1 framing modes: G.704 basic and CRC-4 multiframe consistent with G.706.
- J1 framing modes: JESF (Japan).
- Supports DS1 and E1 unframed and transparent transmission format.
- DS1 signaling modes: transparent; register and system access for ESF 2-state, 4-state, and 16-state; D4 2-state, 4-state, and 16-state; SLC-96 2-state, 4-state, and 16-state; J-ESF handling groups maintenance and signaling; VT 1.5 SPE 2-state, 4-state, 16-state.
- E1 signaling modes: transparent; register and system access for entire TS16 multiframe structure as per ITU G.732.
- Signaling debounce and change of state interrupt.
- V5.2 Sa7 processing.
- Alarm reporting and performance monitoring per AT&T[®], ANS, ITU-T, and ETSI standards.
- Facility data link features:
 - HDLC or transparent access for either ESF or DDS + FDL frame formats.
 - Register/stack access for SLC-96 transmit and receive data.
 - Extended superframe (ESF): automatic transmission of the ESF performance report messages (PRM). Automatic transmission of the ANS/T1.403 ESF performance report messages. Automatic detection and transmission of the ANS/T1.403 ESF FDL bit-oriented codes.
 - Register/stack access for all CEPT Sa bits transmit and receive data.
- HDLC features:
 - HDLC or transparent mode.
 - Programmable logical channel assignment: any time slot, any bit for ISDN D channel, also inserts/extracts C-channels for V5.1, V5.2 interfaces.
 - 64 logical channels in both transmit and receive direction (any framing format).
 - Maximum channel data rate is 64 kbits/s.
 - Minimum channel data rate is 4 kbits/s (DS1/FDL or E1 Sa bit).
 - 128-byte FIFO per channel in both transmit and receive directions.
 - Tx to Rx loopback supported.

- System interfaces:
 - Concentration highway interface:
 - Single clock and frame synchronizing signals; programmable clock and data rates at 8.192 MHz and 16.384 MHz; programmable clock edges and bit/byte offsets.
 - Parallel system bus interface at 19.44 MHz for data and signaling: single clock and frame synchronizing signals.
 - Network serial multiplexed interface (NSMI) minimal pin count serial interface at 51.84 MHz optimized for data and IMA applications.

2.4 DS3/E3/DS2/E2/DS1/E1 Multirate Cross Connect (MRXC) (x1)

- Configurable cross point interconnect for up to 84/63 DS1/E1 signals to/from the FRM, VTMPR, M13/E13, TPG/TPM, DS1/E1 DJA, and 86 external I/O pins. Also supports 21/12 DS2/E2 to/from external I/O pins from/to the M13/E13 functional block.
- Connects three DS3/E3 signals from the external pins to the M13/E13 MUX.
- Provides grooming capability for up to 168 (84 receive plus 84 transmit) DS1/E1 connections between the FRM, M13/E13, DS1/E1 DJA, and 86 bidirectional sets of pins. This allows for cross connect grooming of any block signal port *n* to any other signal port *m* on a different block or output pin, or on the same block in the case of a groomed loopback.
- Multicast operation (one to many) is supported for 168 sources and destinations.
- Any mix of DS2, E2, DS3, or E3 signals can interconnect.
- Multirate cross connect allows 16 x 3 E1 signals to/from E13 modules from/to the framer, TPG/TPM, and external pins.
- There are 4 x 3 E2 signals to/from E13 from/to external pins.
- There are three E3 signals from/to the E13 functional block to/from external pins.
- Jitter attenuation can also be inserted in-line on any channel. (Note that cascading of jitter attenuators is not allowed.)
- Standard network loopback or straight-away facility testing is supported for DS1/E1 and DS3/E3. A DS1/E1 test-pattern generator capable of injecting idle standards-based, pseudorandom bit sequence test patterns, or AIS (blue) alarm can replace any source or transmitter. A test-pattern monitor that can detect/count bit errors in a pseudorandom test sequence, or loss of frame or synchronization, can replace any sink or receiver.

- One to any number of loopbacks are supported for up to 84/63 channels in DS1/E1 channels from the M13/E13 and framer functional blocks. One-to-one loopback is supported in all DS1/E1 channels. One-to-one loopback is supported for DS3/E3 channels from the M13/E13 functional blocks.
- Loopbacks can be configured to sectionalize a circuit for identifying faults or misconfiguration during out of service maintenance.
- Fast alarm channels are supported for E13 and M13 to framer interconnects for alarm indication signal (AIS or blue alarm). This feature reduces the propagation delay of the alarms by eliminating multiple integration of alarm conditions.
- Supports framer-only, transport (framer LIU, M13, and E13), and switching (CHI and PSB) modes of operation.

2.5 DS1/E1 Digital Jitter Attenuation (DJA) (3x28/21)

- The PLL bandwidth, damping factor, and sampling rates are programmable.
- Configurable to meet jitter and MTIE requirements.
- Supports one DJA per each DS1/E1. (Note that the DJA may not be cascaded.) There are 28/21 DJA channels per block.

2.6 Microprocessor Unit (MPU) (x1)

- 21-bit address/16-bit data bus microprocessor interface (little-endian).
- Synchronous (16 MHz to 66 MHz)/asynchronous microprocessor interface modes.
- Microprocessor data bus parity monitoring.
- Summary of two level priority interrupts from the E13 block (maskable).
- Global configuration of network performance monitoring counters operation.
- Global software resets.
- Global enabling and powerdown of major functional blocks.
- Registers provisionable for clear on read/clear on write.
- Compatible with most industry-standard processors.

2.7 JTAG

- *IEEE*[®] 1149.1 JTAG boundary scan.

3 Overview

The Ultraframer provides a versatile interface for DS1/J1/E1, DS3/E3, DS2/E2, and DS0/J0/E0 applications. The Ultraframer device integrates M13/E13 multiplex/demultiplex functions and the primary rate framing function.

Each interface consists of a fully integrated, full featured, primary rate framer with HDLC formatter for facility data link access. It also provides alarm reporting and bidirectional performance monitoring. The TFRA84J13 provides glueless interconnection to analog line interface units and time-slot interchangers.

4 Application Diagrams

This section shows several typical Ultraframer applications. Figure 9-1 through Figure 9-3 depict system-level diagrams.

4.1 DS3/E3 to/from DS1/E1 Application

- 84 DS1s/48 E1s are input from LIUs, MUXed to DS3/E3, framed, and output to three DS3/E3 LIUs.
- Similarly, three DS3s/E3s are input from the LIUs, deMUXed to the DS1/E1 level, and output as 84 DS1s/48 E1s.
- The DS3/E3 will be received/transmitted by the device via the DS3DATAIN/OUT pins.
- The DS1s/E1s will be received/transmitted by the device via the LINERX/TXDATA pins.
- All three instances of the 28/21 channel M13/E13 MUXs are configured identically for M13/E13 mode.
- All three instances of the 28/21 channel framers are configured identically for the transport mode of operation.
- DS3 to/from E1 application is also possible.

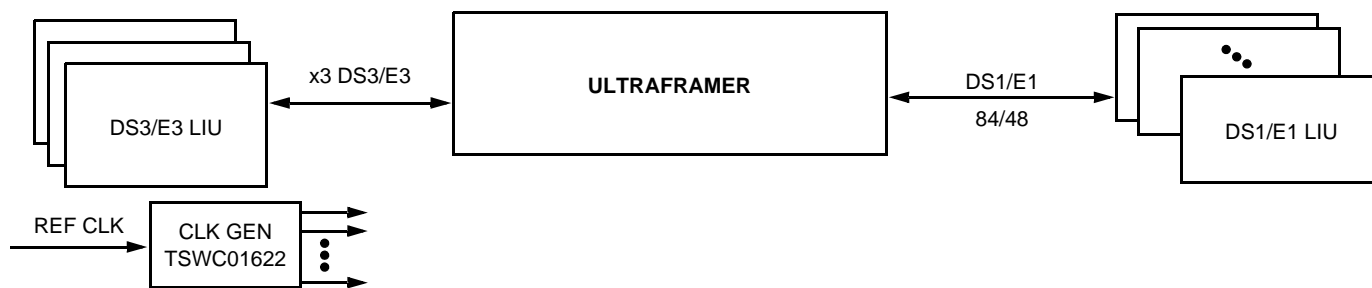


Figure 4-1. x3 DS3s/E3s to/from 84 DS1s/48 E1s Configuration

4.2 DS3/E3 to/from DS0/E0 Application

Figure 9-2 shows 2016 DS0/1536 E0s input via CHI or PSB. The DS0s/E0s are DS1/E1 framed, multiplexed to three DS3/E3s, and then framed and output to DS3/E3 LIUs. The following points describe this scenario:

- 2016 DS0/1536 E0s are input from a switch, DS1/E1 framed, then MUXed to x3 DS3/E3. These are then framed and output to three DS3/E3 LIUs.
- Similarly, three DS3/E3s are input from the LIUs, deMUXed to the DS1/E1 level, and output as 2016 DS0/1536 E0s.
- The DS3s/E3s will be received/transmitted by the device via the DS3DATAIN/OUT pins.
- The DS0s/E0s will be received/transmitted by the device via the CHIRX/TXDATA pins.
- The system interface can be the CHI (concentrated highway interface) or PSB (parallel system bus):
 - CHI can be programmed to operate at 8.192 MHz or 16.384 MHz clock and data rates.
 - The PSB interface consists of a 16-bit wide parallel bus operating at 19.44 Mb/s.
- All three instances of the 28/21 channel M13/E13 MUXs are configured identically for M13/E13 mode.
- All three instances of the 28/21 channel framers are configured identically for switching mode of operation.
- DS3 to/from E1 to/from E0 application is also possible (x3 DS3 to/from 2016 E0s).

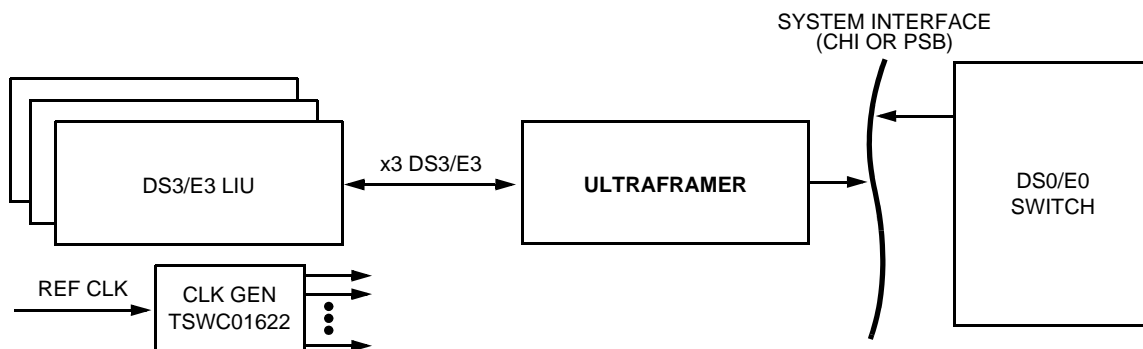


Figure 4-2. x3 DS3s/E3s to/from 2016 DS0s/1536 E0s Configuration

4.3 DS1/E1 to/from DS0/E0 Application

- 2016 DS0/E0s are input from a switch, DS1/E1 framed, and output to 84 DS1/63 E3 LIUs.
- Similarly, 84 DS1s/63 E1s are input from the LIUs, deMUXed, and output as 2016 DS0s/E0s.
- The DS1s/E1s will be received/transmitted by the device via the LINERX/TXDATA pins.
- The DS0s/E0s will be received/transmitted by the device via the CHIRX/TXDATA pins.
- The system interface can be the CHI (concentrated highway interface) or PSB (parallel system bus):
 - CHI can be programmed to operate at 8.192 MHz or 16.384 MHz clock and data rates.
 - The PSB interface consists of a 16-bit wide parallel bus operating at 19.44 Mbits/s.
- All three instances of the 28/21 channel framers are configured identically for switching mode (DS1/E1 to/from DS0/E0) of operation.
- DS1/E1 level performance monitoring capabilities on all channels in the Rx direction (DS1/E1 to DS0/E0) of the signal path.

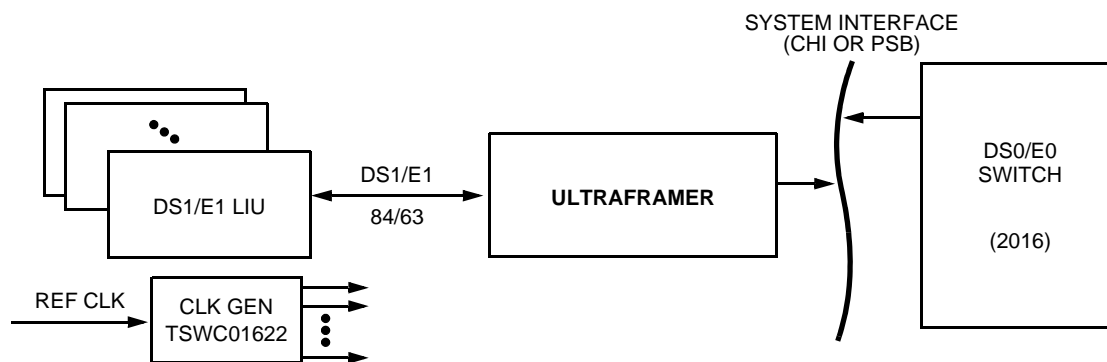


Figure 4-3. 84 DS1s/63 E1s to/from 2016 DS0s/E0s Configuration

5 Block Description

5.1 M13/E13 Multiplexer (M13/E13 MUX)

The M13/E13 block (three blocks per device) is a highly configurable multiplexer/demultiplexer for which each block can be configured for M13 or E13 operation. The features are as described below.

5.1.1 M13 MUX

The M13 may operate in the C-bit parity or M23 mode, or a mixed M13/M23 mode. In the C-bit parity mode, the M13 provides a far-end alarm and control (FEAC) code generator and receiver, an HDLC transmitter and receiver, and an automatic far-end block error (FEBE) generator.

Each internal M12 MUX/deMUX and the M23 MUX/deMUX can be configured to operate as independent MUXes/deMUXes. 28 DS1 inputs (in groups of four) or 21 E1 input signals (in groups of three) can feed into individual M12 MUXes, while the M23 MUX can take DS2 signals from outputs of M12 MUXes, or direct DS2 inputs, or loopback deMUXed DS2s.

The M13 supports numerous automatic monitoring functions. It can provide an interrupt to the control system, or it can operate in a polled mode.

The M13 complies with T1.102, T1.107, T1.231, T1.403, T1.404, GR-499, G.747, and G.775.

5.1.1.1 Receive Direction

The receive DS3 is monitored for loss of clock and loss-of-signal (LOS) according to T1.231. The B3ZS decoder accepts either the unipolar clock and data, or unipolar clock and positive and negative data. It also checks for bipolar coding violations. The transmit DS3 can be looped back into the receive side after B3ZS decoding. The M23 demultiplexer checks for valid DS3 framing by finding the frame alignment pattern (F-bits) and then locating the multiframe alignment signal (M-bits). During each M frame, the data stream is checked for the presence of the AIS (1010) or idle (1100) pattern.

Within the M23 demultiplexer, there are four performance monitoring counters for F-bit M-bit, P-bit, or E-bit parity, and FEBE errors. Each M12 demultiplexer contains two performance monitoring counters.

5.1.1.2 Transmit Direction

The incoming DS1/E1 clocks are first checked for activity or loss-of-clock (LOC). The data signals are retimed and checked for AIS and activity. DS1/E1 loopback selectors allow the individual DS1/E1 signals within the received DS2 or DS3 to be looped back toward the DS2/DS3 input.

This loopback can be performed automatically, or the user can force a DS1 or E1 loopback.

The four DS1 or three E1 signals for each M12 MUX are fed into single-bit, 16-word-deep FIFOs to synchronize the signals to the DS2 frame generation clock. The fill level of each FIFO determines the need for bit stuffing its DS1/E1 input. The M13 can handle DS1/E1 signals with nominal frequency offsets of ± 130 ppm and up to five unit intervals peak jitter. The DS2/DS3 transmit clock is used to derive the clock source for DS2 frame generation.

The M23 multiplexer generates a transmit DS3 frame, and fills the information bits in the frame with data from the seven DS2 select blocks.

The transmit DS3 output can either be in the form of unipolar clock and data, or unipolar clock and positive and negative data. The DS3 data is B3ZS-encoded and can be looped back from the receive DS3 input.

5.1.2 E13 MUX

The E13 is a functional block that performs MUX/deMUX from/to 16 E1s, four E2s, and one E3 signal compliant with ITU G.742 and ITU G.751. The E13 functional block is a highly configurable multiplexer/demultiplexer. It can operate in E12, E13, or E23 modes. Each internal E12 MUX/deMUX and E23 MUX/deMUX is independently configurable. The E3 inputs to the receive path can be HDB3-encoded dual-rail (bipolar) signals or already decoded single-rail signals with or without a BPV indication input. The E1 and E2 inputs are expected to be decoded prior to the E13 functional block. E3 transmit direction output can be configured as HDB3-encoded dual rail (bipolar) or as single rail.

The E13 provides status and two-level priority maskable interrupt outputs to the microprocessor.

This block is also an independently configurable x4 E12 multiplexer/demultiplexer for up to 16 E1 signals to/from four E2 signals, and has provisionable time-slot selection for E1 and E2 insertion or drop via the multirate cross connect functional block. E12/E23 multiplexers are capable of generating alarm indicator signal (AIS) and remote alarm indicator (RAI) signals.

E1 and E2 transmit path monitors detect loss-of-clock (LOC) and AIS. The E2 receive path monitor detects LOC, AIS, and RAI. The E3 receive monitor detects loss-of-signal (LOS), LOC, bipolar violations (BPV), AIS, and RAI. E3 and E2 loopback modes are also available.

5.2 Multirate Cross Connect (MRXC)

The multirate cross connect (MRXC) functional block (one per device) is a crosspoint switch for DS1/J1/E1/DS2/E2 and DS3/E3 signals. The multirate cross connect routes signals to/from the major functional blocks and external I/O pins as necessary for each application. The MRXC can multicast, route test patterns, idles, or alarm conditions to any channel, and provide system loopbacks.

For DS1/E1 applications, the multirate cross connect can interconnect up to 84 individual DS1/E1 channels between the framer, M13/E13 multiplexer, jitter attenuator, or external I/O. The external I/O pins support an application-dependent mix of up to 86 DS1/E1* interfaces (allowing for dedicated protection channels or additional DS1/E1 channels), 21 DS2 interfaces, or one of four available system interfaces.

Independent signal paths for remote alarm indication (RAI) and alarm indication signal (AIS) on channels between the M13/E13 and the framer are supported.

The multirate cross connect has independent DS2 interfaces for the M12 and M23 subblocks of the M13 MUX. Full split access to the external I/O device pins provides the capability to add, drop, or rearrange the DS2 signals within the M13.

The test-pattern generator/monitor functional block (TPG/TPM) provides test signals and monitors inputs for signals to/from the multirate cross connect. The TPG can generate a set of test signals at DS1, E1, and DS2. There is only one test pattern generator and monitor per signal rate.

The MRXC also provides the interface to the external pins. The external pins may be configured to work in four modes: a transport mode, a concentration highway interface (CHI) mode, a parallel system bus (PSB) mode, and a network serial multiplexed interface (NSMI) mode. The first mode is used to provide dedicated access to the device for DS3/E3/DS2/E2/DS1/E1 signals, and the last three modes are described below.

- Concentration highway interface (serial time-division multiplex interface) CHI:
 - Global frame synchronization.
 - Global clock: 8.192 MHz or 16.384 MHz.
 - 18 transmit and 18 receive data ports; data rates: 8.192 Mbits/s or 16.384 Mbits/s.
- Parallel system bus (parallel time-division multiplex interface/transmit and receive) PSB:
 - Global frame synchronization.
 - Global clock: 19.44 MHz.
 - Data rate: 19.44 Mbits/s.
 - 8 bits of data + associated parity bit.
 - 4 bits of signaling + 2 bits of signaling control + 1 bit of parity.

* The 85th and 86th DS1 I/O may only be used for protection channels with applications in which the other 84 I/O are **fixed** (see MRXC section of the Register Description for more information). Otherwise, applications are practically limited to 84 I/O.

- Network serial multiplexed bus (NSMI):
 - Framer—NSMI payload assembled/disassembled into DS1/E1s.
 - 6-pin or 8-pin serial interface.
 - Transmit and receive clock and data at 51.84 MHz.
 - Provides a minimal pin count interface for data and inverse multiplexing for ATM (IMA) applications without slip buffers.

5.3 DS1 Digital Jitter Attenuator (DS1/E1 DJA)

The DS1/E1 digital jitter attenuator (DS1/E1 DJA) block (three per device), contains 28 copies of the digital jitter attenuator for a total of 84/63 DS1/E1 DJAs. These digital jitter attenuator functional blocks can operate in two different modes: as a DS1 or as an E1 jitter attenuator.

In both modes, the digital jitter attenuator can be provisioned to always operate as a second-order PLL, or it can switch to act as a first-order PLL during VT pointer adjustments to help meet MTIE requirements. The period of time in the first-order mode is provisionable. The PLL bandwidth is provisionable between 0.1 Hz and 0.5 Hz, and the damping factor for these bandwidths varies between 2 and 0.5 to accommodate a number of different system constraints.

The DS1/E1 DJA allows automatic pass-through of an AIS from M13/E13 blocks.

5.4 Test Pattern Generator/Monitor (TPG/TPM)

The test pattern generator/test pattern monitor functional block (TPG/TPM) consists of a set of configurable test pattern generators and monitors for local self-test, maintenance, and troubleshooting operations.

The TPG feeds one or more DS1/E1/DS2 test signals (via data, clock, and FS (DS1/E1 only) or AIS signal paths) to the multirate cross connect, which can redistribute or broadcast these signals to any valid channel in the framer, external I/O, or M13/E13 MUX.

Any channel arriving at the multirate cross connect can be routed to the test monitor. The test monitor can automatically detect/count bit errors in a pseudorandom test sequence, loss of frame (DS1/E1 only), or loss of synchronization situation. The TPM can provide an interrupt to the control system, or it can be operated in a polled mode.

Simultaneous testing of DS1, E1, and DS2 signals is supported with one channel for each.

Supported test patterns are a quasirandom signal (QRSS), a pseudorandom bit sequence (PRBS23, PRBS20, PRBS15), alternating zeros/ones, an all-ones pattern, and a 16-bit user-provisionable pattern.

The DS1 and E1 test patterns can be transmitted as either unframed or as the payload of a framed signal, as defined in ITU-T Recommendation O.150. DS2 patterns are unframed only.

Under register control, single bit-errors can be injected into any test pattern.

5.5 Clock Generator (CG)

The clock generator block may be used optionally to override the device configuration specified by the MODE[2:0]_PLL device pins. If the block is not provisioned, the default mode will generate all the necessary FRM block PDH clocks, based upon the logic states on the MODE[2:0]_PLL pins (see the Ultraframer Hardware Design Guide).

5.6 Framer (FRM)

The DS1/J1/E1 framer block's (three per device) internal components are described in the following sections. A particular application will determine which of the components within the framer are used.

5.6.1 Line Decoder/Encoder

The line decoder/encoder supports either single-rail or dual-rail transmission. In dual-rail mode, the line codes supported are as follows:

- Alternate mark inversion (AMI)
- DS1 binary 8 zero code suppression (B8ZS)
- ITU-CEPT high-density bipolar of order three (HDB3)

In the single-rail mode, a line interface unit (LIU) decodes/encodes the data. In the dual-rail mode, loss-of-signal is monitored.

In the case of coded mark inversion (CMI) coding (Japanese TTC standard JJ-20.11), the LIU decodes the data, listing both the CMI coding rule violations (CRVs) and line coding violations as bipolar violations. (In the CMI mode, the framer is in the single-rail mode.)

Note: Dual-rail mode is only supported for up to 18 DS1/E1 channels (out of 84/63).

5.6.2 Receive Frame Aligner/Transmit Frame Formatter

The receive frame aligner and transmit frame formatter support the following frame formats:

- D4 superframe
- SF D4 superframe: FT framing only
- J-D4 superframe with Japanese remote alarm

- DDS
- SLC-96
- ESF
- J-ESF (J1 standard with different CRC-6 algorithm)
- Nonalign DS1 (193 bits—clear channel)
- CEPT basic frame (ITU G.706)
- CEPT CRC-4 multiframe with 100 ms timer (ITU G.706)
- CEPT CRC-4 multiframe with 400 ms timer (automatic CRC-4/non-CRC-4 equipment interworking) (ITU G.706 Annex B)
- Nonalign E1 (256 bits—clear channel)
- 2.048 coded mark inversion (CMI) coded interface (TTC standards JJ-20.11)

5.6.3 Receive Performance Monitor

The receive performance monitor detects the following alarms:

- Loss of receive clock
- Loss-of-signal

Note: Only available on up to 18 individual DS1/E1 channels in dual-rail mode.

- Loss-of-frame
- Alarm indication signal (AIS)
- Remote frame alarms
- Remote multiframe alarms

These alarms are detected as defined by the appropriate *ANSI*, *AT&T*, *ITU*, and *ETSI* standards. Performance monitoring, as specified by *AT&T*, *ANSI*, and *ITU*, is provided through counters monitoring the following:

- Bipolar violations

Note: Only available on up to 18 individual DS1/E1 channels.

- Frame bit errors
- CRC errors
- Errored events
- Errored seconds
- Bursty errored seconds
- Severely errored seconds

In-band loopback activation and deactivation codes can be transmitted to the line via the payload or the facility data link. In-band loopback activation and deactivation codes in the payload or the facility data link are detected.

5.6.4 Signaling Processor

The signaling processor supports the following modes:

- Superframe (D4, SLC-96): 2-state, 4-state, and 16-state
- VT 1.5 SPE: 2-state, 4-state, and 16-state
- Extended superframe: 2-state, 4-state, and 16-state
- CEPT: common channel signaling (CCS) (TS-16)
- Transparent (pass through) signaling
- J-ESF handling groups

Signaling features supported per channel are as follows:

- Signaling debounce
- Signaling freeze
- Signaling interrupt upon change of state
- Associated signaling mode (ASM)
- Signaling inhibit
- Signaling stomp

Voice and data channels are programmable in the DS1 robbed-bit signaling modes. The entire payload can be forced into a data-only (no signaling channels) mode i.e., transparent mode, achieved by programming one control bit.

Signaling access occurs through the on-chip signaling registers or the system interface. Data and its associated signaling information can be accessed through the system in either DS1 or CEPT-E1 modes.

5.6.5 Facility Data Link (FDL) Processor

The receive facility data link processor monitors the bit-oriented ESF data-link messages defined in ANS/T1.403. The transmit facility data link unit overrides the FDL-FIFO for the transmission of the bit-oriented ESF data-link messages defined in ANS/T1.403-1995.

The FDL processor extracts and stores data link bits from three different frame types as follows:

- D-bits and delineator bits from the SLC-96 multi-superframe.
- Data link bits from DDS frames (bit 6 of time slot 24).
- Two multiframes of Sa[4:8] bits from time slot 0 in CEPT basic and CRC-4 multiframes.

The respective bits are always extracted from frame-aligned frames and are stored in a stack. The processor controls notification of stack updates through the interrupt (maskable) registers.

The transmit FDL functional block performs the transmission of D-bits into SLC-96 superframes, Sa-bits in CEPT frames, and D-bits in DDS frames.

- In SLC-96 frames, the D and delineator bits are always sourced from this functional block when the block is enabled for insertion.
- In DDS frames, the data link bits are always sourced from this functional block when this block is enabled for insertion. This functional block also provides the capability to transmit BOMs (bit-oriented messages) in the data link channel of ESF links.
- In CEPT frames, the Sa bits are sourced from either the Sa stack within this functional block or from the system interface. The data link functional block only responds with valid data when selected by the Sa source control bits.

5.6.6 HDLC Unit

The HDLC processor formats the HDLC packets for insertion into the programmable channels. A channel can be any number of bits (1 to 8) from a time slot.

The maximum number of channels is 64. The maximum channel bit rate is 64 kbits/s. The minimum channel bit rate is 4 kbits/s. Each channel is allocated 128 bytes of storage.

HDLC processing of data on the facility data link (PRMs, Sa-bits, or otherwise) is implemented by assigning the FDL bit position to a logical HDLC channel.

6 Glossary

AIS	Alarm indication signal	FEBE	Far-end block error
AMI	Alternate mark inversion	HDB3	High-density bipolar of order three
APS	Automatic protection switch	HDLC	High-level data link control
ASM	Associated signaling mode	LIU	Line interface unit
BER	Bit error rate	LOC	Loss-of-clock
BLSR	Bidirectional line switching ring	LOF	Loss-of-frame
BOM	Bit-oriented message	LOS	Loss-of-signal
BPV	Bipolar violation	LOPOH	Low-order path overhead
B8ZS	Bipolar 8 zero substitution	MCDR	Mate clock and data recovery
CCI	Common channel signaling	MRXC	Multirate cross connect
CDR	Clock and data recovery	NSMI	Network serial multiplexed interface
CHI	Concentrated highway interface	OOF	Out of frame
CMI	Coded mark inversion	PBGA	Plastic ball grid array
CRC	Cyclic redundancy check	POAC	Path overhead access channel
CRV	Coding rule violation	PRBS	Pseudorandom bit sequence
DACS	Digital access cross connects	PRM	Performance report message
DJA	Digital jitter attenuation	QRSS	Quasirandom signal source
ESF	Extended superframe	RAI	Remote alarm indicator
EXZ	Excessive zeros	RDI	Remote defect indication
FCS	Frame check sequence	REI	Remote error indication
FDL	Facility data link	SDH	Synchronous digital hierarchy
FEAC	Far-end alarm and control	SEF	Severely errored frame
		TCM	Tandem connection monitoring
		TOAC	Transport overhead access channels
		UPSR	Unidirectional path switch ring

Telcordia and *Telcordia Technologies* are registered trademarks of Telcordia Technologies, Inc.
ANSI is a registered trademark of American National Standards Institute, Inc.
SLC is a registered trademark of Lucent Technologies Inc.
AT&T is a registered trademark of AT&T in the USA and other countries.
IEEE is a registered trademark of The Institute of Electrical and Electronics Engineers, Inc.

For additional information, contact your Agere Systems Account Manager or the following:

INTERNET: Home: <http://www.agere.com> Sales: <http://www.agere.com/sales>

E-MAIL: docmaster@agere.com

N. AMERICA: Agere Systems Inc., Lehigh Valley Central Campus, Room 10A-301C, 1110 American Parkway NE, Allentown, PA 18109-9138

1-800-372-2447, FAX 610-712-4106 (In CANADA: 1-800-553-2448, FAX 610-712-4106)

ASIA: CHINA: (86) 21-54614688 (Shanghai), (86) 755-25881122 (Shenzhen)

JAPAN: (81) 3-5421-1600 (Tokyo), KOREA: (82) 2-767-1850 (Seoul), SINGAPORE: (65) 6741-9855, TAIWAN: (886) 2-2725-5858 (Taipei)

EUROPE: Tel. (44) 1344 296 400

Agere Systems Inc. reserves the right to make changes to the product(s) or information contained herein without notice. No liability is assumed as a result of their use or application.
Agere, Agere Systems, and the Agere logo are registered trademarks of Agere Systems Inc. *Ultramapper* is a trademark of Agere Systems Inc.