

HA17903 Series

Dual Comparator

REJ03D0687-0100
(Previous: ADE-204-048)
Rev.1.00
Jun 15, 2005

Description

HA17903 are comparators designed for car use and control system use.

They provide wide voltage range with single power source, and the change of supply current is small, because it is independent of the supply voltage. They can be widely applied, such as limit comparator, simple analog/digital converter, pulse/square wave/time delay generator, wide range VCO, MOS clock timer, multivibrator, high voltage logic gate, etc.

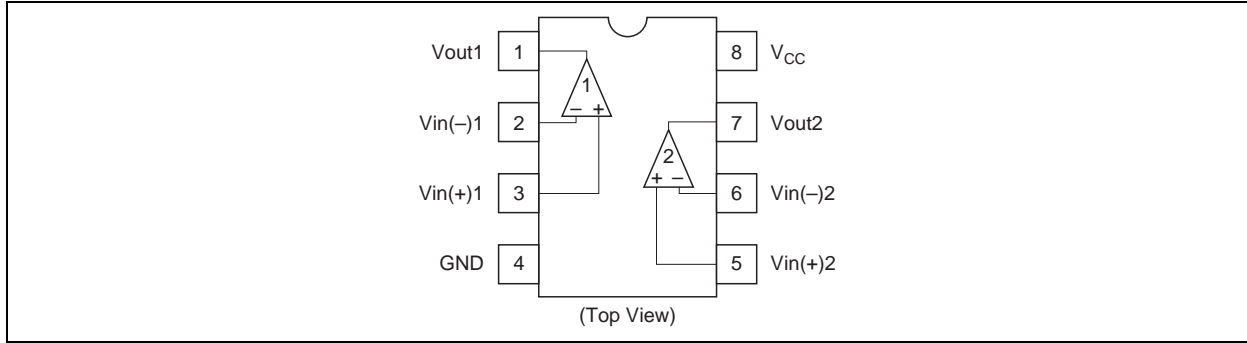
Features

- Wide supply voltage: 2 to 36V
- Very low supply current: 0.8mA
- Small input bias: 25nA
- Small input offset current: 3nA
- Small input offset voltage: 2mV
- Common mode input voltage range including ground.
- Small output saturation voltage: 1mV (5 μ A)
- 70mV (1mA)
- Output voltage is compatible with CMOS logic system.

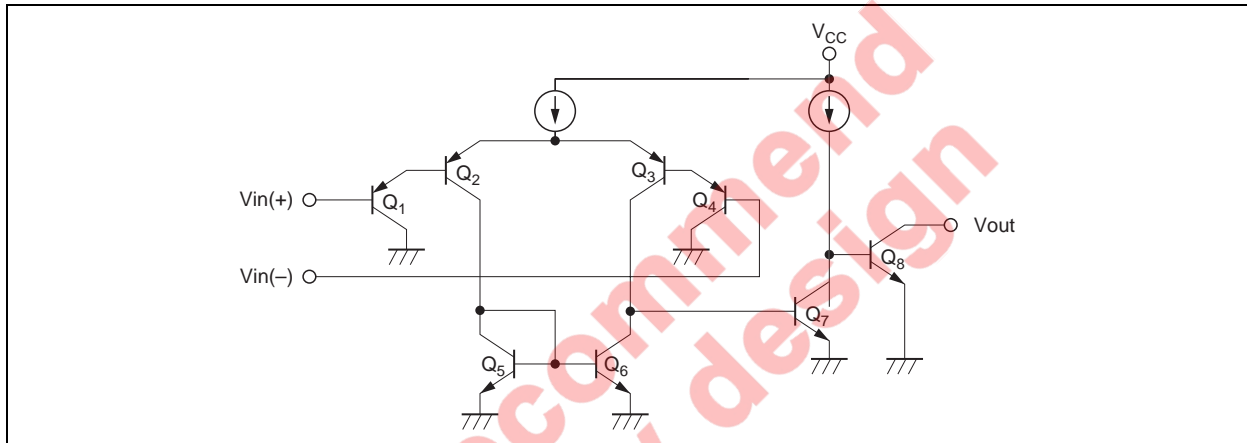
Ordering Information

Type No.	Application	Package Code (Previous Code)
HA17903PSJ	Car use	PRDP0008AF-A (DP-8B)
HA17903FPJ		PRSP0008DE-B (FP-8DGV)
HA17903FPK		PRSP0008DE-B (FP-8DGV)

Pin Arrangement



Circuit Schematic (1/2)



Absolute Maximum Ratings

(Ta = 25°C)

Item	Symbol	Ratings			Unit
		HA17903PSJ	HA17903FPJ	HA17903FPK	
Supply voltage	V _{CC}	36	36	36	V
Differential input voltage	V _{IN(diff)}	V _{CC}	V _{CC}	V _{CC}	V
Input voltage	V _{IN}	-0.3 to +V _{CC}	-0.3 to +V _{CC}	-0.3 to +V _{CC}	V
Output short current	I _{OS} *3	constant	constant	constant	
Power dissipation	P _T	570*1	385*1	385*2	mW
Operating temperature	Topr	-40 to +85	-40 to +85	-40 to +125	°C
Storage temperature	Tstg	-55 to +125	-55 to +125	-55 to +150	°C

- Note:
1. These are the allowable values up to Ta = 55 °C. Derate by 8.3mW/°C above that temperature.
 2. These are the allowable values up to Ta = 45 °C mounting on 30% wiring density glass epoxy board. Derate by 7.14mW/°C above that temperature.
 3. Short circuit between the output and VCC will be a cause to destroy the circuit. The maximum output current is about 20mA for any supply voltage.

Electrical Characteristics-1

(V_{CC} = 5V, Ta = 25°C)

Item	Symbol	Min	Typ	Max	Unit	Test condition
Input offset voltage*1	V _{IO}	—	2.0	5.0	mV	
Input bias current*2	I _{IB}	—	25	250	nA	I _{IN(+)} or I _{IN(-)}
Input offset current	I _{IO}	—	3	50	nA	I _{IN(+)} - I _{IN(-)}
Common mode input voltage*3	V _{CM+}	3.5	—	—	V	
	V _{CM-}	—	—	0	V	
Supply current	I _{CC}	—	0.8	2.0	mA	All comparators: R _L = ∞, All channels on
Voltage gain	A _{VD}	—	200	—	V/mV	V _{CC} = 15V, R _L ≥ 15kΩ
Response time*4	t _R	—	1.3	—	μs	V _{RL} = 5V, R _L = 5.1kΩ
Large signal response time	t _{RI}	—	300	—	ns	V _{IN} = TTL Threshold width, V _{REF} = 1.4V
Output sink current	I _{OSINK}	6	16	—	mA	V _{IN(-)} ≥ 1V, V _{IN(+)} = 0, V _O ≤ 1.5V
Output saturation voltage	V _O (sat)	—	—	400	mA	V _{IN(-)} ≥ 1V, V _{IN(+)} = 0, I _{OSINK} = 4mA
Output leak current	I _{LO}	—	0.1	—	nA	V _{IN(-)} = 0, V _{IN(+)} ≥ 1V, V _O = 5V

- Notes:
1. V_{REF} = 1.4V and R_S = 50Ω, when V_O = 1.4V at output switching point.
 2. Under linear operation.
 3. Common mode input voltage or each one of the input signal should not be less than -0.3V.
 4. This is a value to 100mV input step voltage with 5mV over drive.

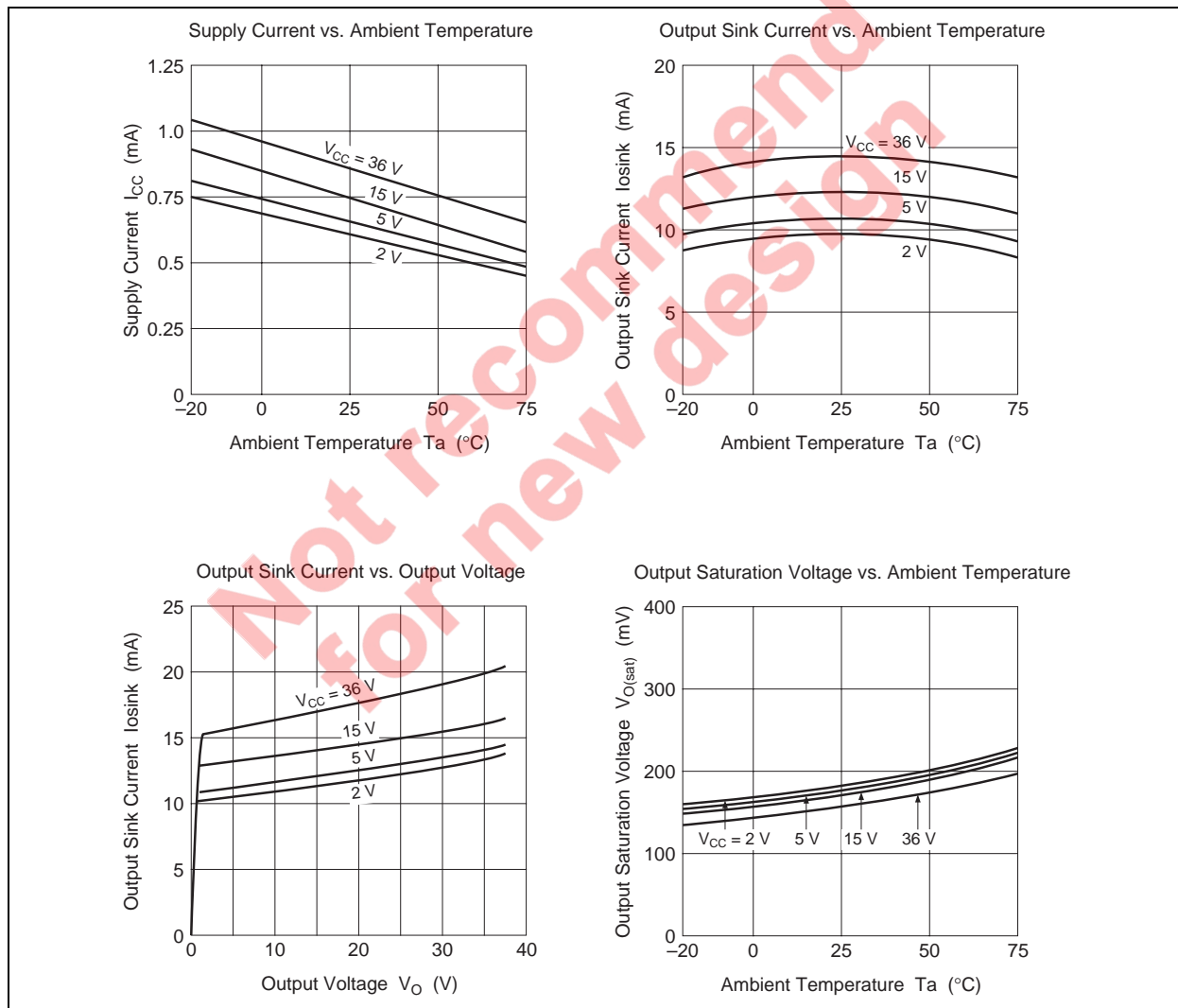
Electrical Characteristics-2

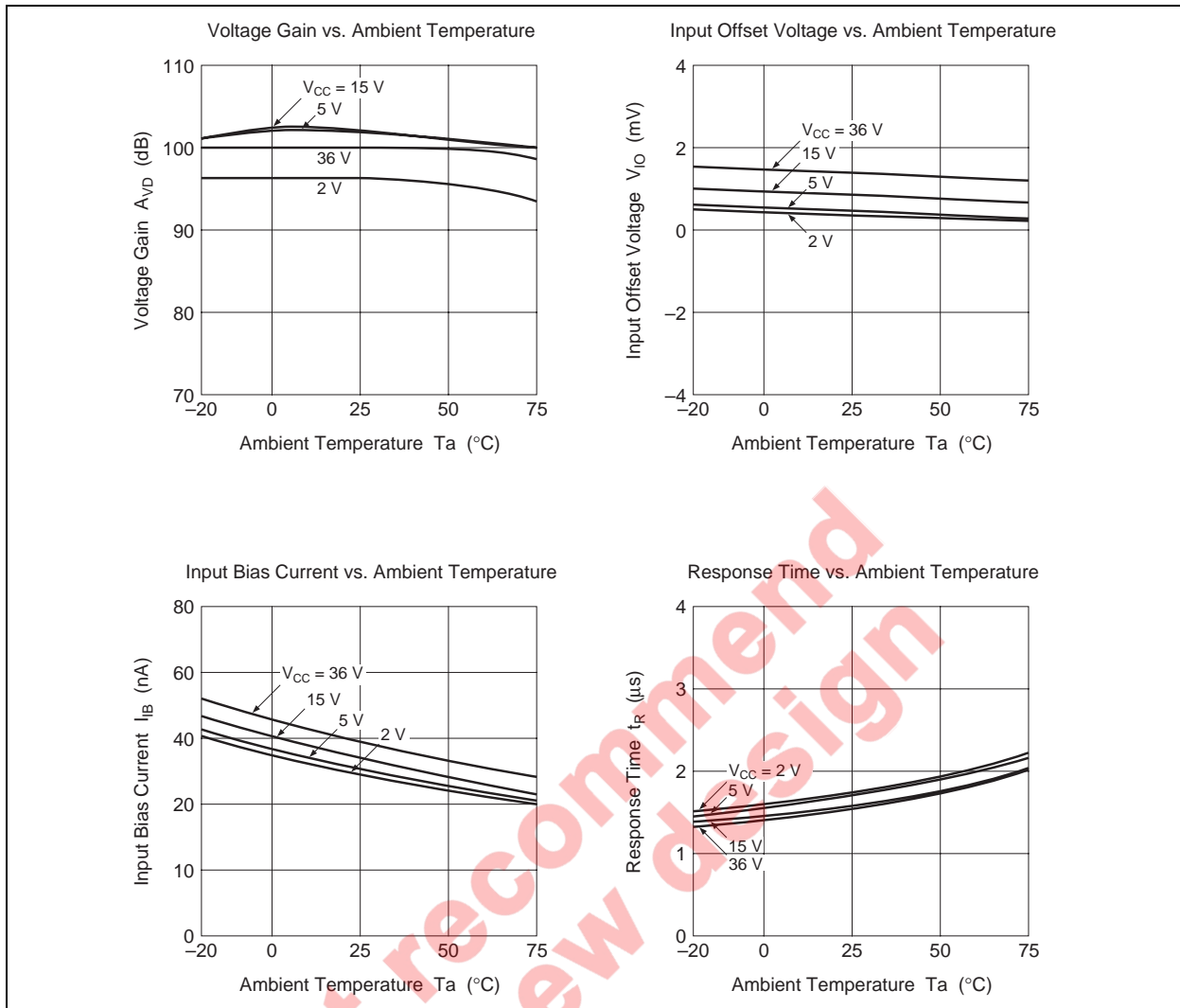
($V_{CC} = 5V$, $T_a = -40$ to $+125^{\circ}C$)

Item	Symbol	Min	Typ	Max	Unit	Test condition
Input offset voltage* ¹	V_{IO}	—	—	5.0	mV	
Input offset current	I_{IO}	—	—	200	nA	$ I_{IN(+)} - I_{IN(-)} $
Input bias current	I_{IB}	—	—	500	nA	Output linear range
Common mode input voltage	V_{CM}	0	—	$V_{CC} - 2.0$	V	
Output saturation voltage	$V_{O(sat)}$	—	—	440	mV	$V_{IN(-)} \geq 1V$, $V_{IN(+)} = 0$, $I_{osink} \leq 4mA$
Output leak current	I_{LO}	—	1.0	—	μA	$V_{IN(-)} = 0$, $V_{IN(+)} \geq 1V$, $V_O = 30V$
Supply current	I_{CC}	—	—	4.0	mA	All comparators: $R_L = \infty$, All channels on

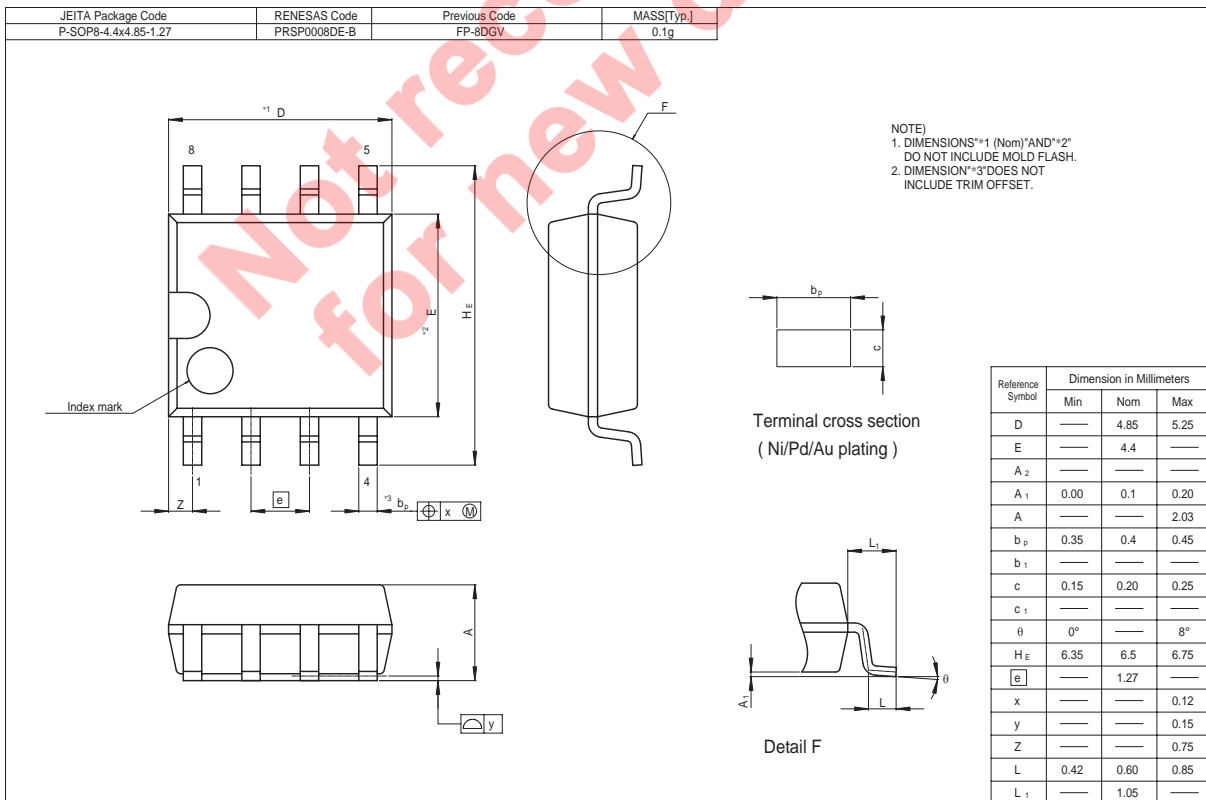
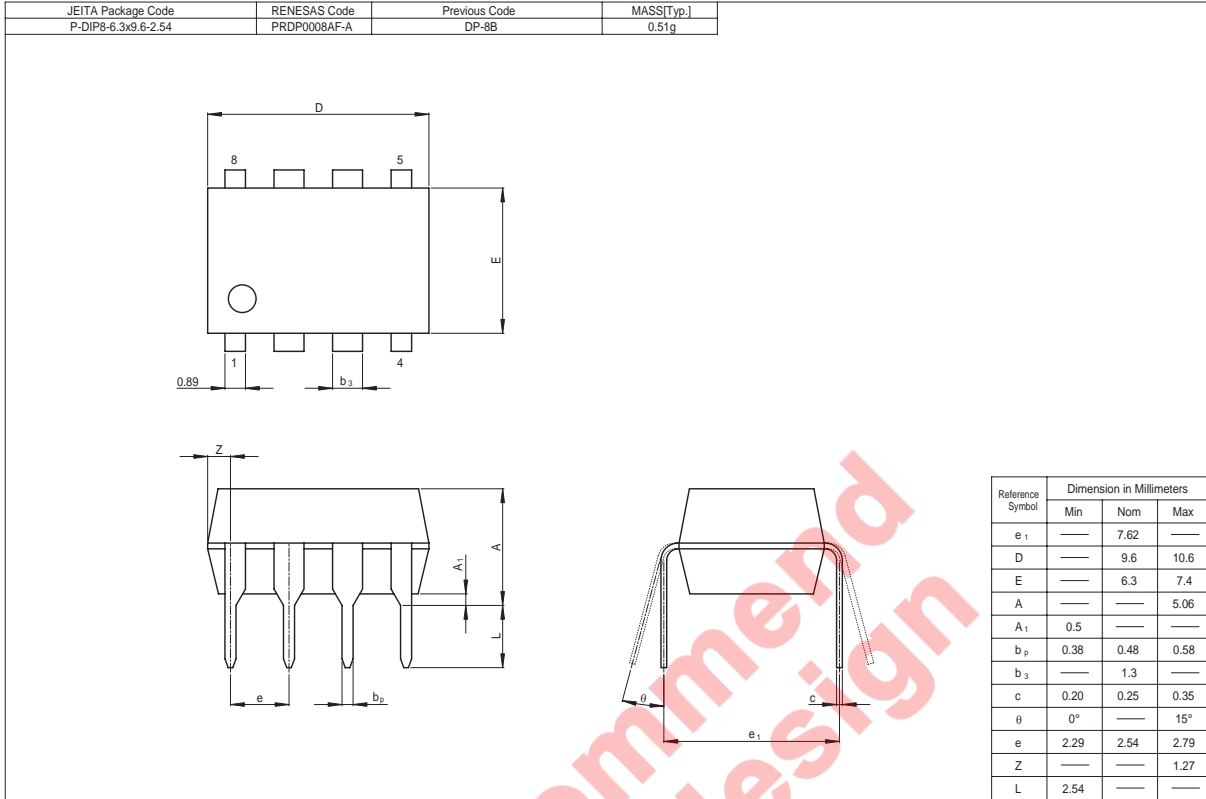
Note: 1. $V_{REF} = 1.4V$ and $R_S = 50\Omega$, when $V_O = 1.4V$ at the output switching point.

Characteristics Curve





Package Dimensions



Renesas Technology Corp. Sales Strategic Planning Div. Nippon Bldg., 2-6-2, Ohte-machi, Chiyoda-ku, Tokyo 100-0004, Japan

Keep safety first in your circuit designs!

1. Renesas Technology Corp. puts the maximum effort into making semiconductor products better and more reliable, but there is always the possibility that trouble may occur with them. Trouble with semiconductors may lead to personal injury, fire or property damage. Remember to give due consideration to safety when making your circuit designs, with appropriate measures such as (i) placement of substitutive, auxiliary circuits, (ii) use of nonflammable material or (iii) prevention against any malfunction or mishap.

Notes regarding these materials

1. These materials are intended as a reference to assist our customers in the selection of the Renesas Technology Corp. product best suited to the customer's application; they do not convey any license under any intellectual property rights, or any other rights, belonging to Renesas Technology Corp. or a third party.
 2. Renesas Technology Corp. assumes no responsibility for any damage, or infringement of any third-party's rights, originating in the use of any product data, diagrams, charts, programs, algorithms, or circuit application examples contained in these materials.
 3. All information contained in these materials, including product data, diagrams, charts, programs and algorithms represents information on products at the time of publication of these materials, and are subject to change by Renesas Technology Corp. without notice due to product improvements or other reasons. It is therefore recommended that customers contact Renesas Technology Corp. or an authorized Renesas Technology Corp. product distributor for the latest product information before purchasing a product listed herein. The information described here may contain technical inaccuracies or typographical errors. Renesas Technology Corp. assumes no responsibility for any damage, liability, or other loss rising from these inaccuracies or errors. Please also pay attention to information published by Renesas Technology Corp. by various means, including the Renesas Technology Corp. Semiconductor home page (<http://www.renesas.com>).
 4. When using any or all of the information contained in these materials, including product data, diagrams, charts, programs, and algorithms, please be sure to evaluate all information as a total system before making a final decision on the applicability of the information and products. Renesas Technology Corp. assumes no responsibility for any damage, liability or other loss resulting from the information contained herein.
 5. Renesas Technology Corp. semiconductors are not designed or manufactured for use in a device or system that is used under circumstances in which human life is potentially at stake. Please contact Renesas Technology Corp. or an authorized Renesas Technology Corp. product distributor when considering the use of a product contained herein for any specific purposes, such as apparatus or systems for transportation, vehicular, medical, aerospace, nuclear, or undersea repeater use.
 6. The prior written approval of Renesas Technology Corp. is necessary to reprint or reproduce in whole or in part these materials.
 7. If these products or technologies are subject to the Japanese export control restrictions, they must be exported under a license from the Japanese government and cannot be imported into a country other than the approved destination. Any diversion or reexport contrary to the export control laws and regulations of Japan and/or the country of destination is prohibited.
 8. Please contact Renesas Technology Corp. for further details on these materials or the products contained therein.
-

RENESAS SALES OFFICES



<http://www.renesas.com>

Refer to "<http://www.renesas.com/en/network>" for the latest and detailed information.

Renesas Technology America, Inc.

450 Holger Way, San Jose, CA 95134-1368, U.S.A
Tel: <1> (408) 382-7500, Fax: <1> (408) 382-7501

Renesas Technology Europe Limited

Dukes Meadow, Millboard Road, Bourne End, Buckinghamshire, SL8 5FH, U.K.
Tel: <44> (1628) 585-100, Fax: <44> (1628) 585-900

Renesas Technology Hong Kong Ltd.

7th Floor, North Tower, World Finance Centre, Harbour City, 1 Canton Road, Tsimshatsui, Kowloon, Hong Kong
Tel: <852> 2265-6688, Fax: <852> 2730-6071

Renesas Technology Taiwan Co., Ltd.

10th Floor, No.99, Fushing North Road, Taipei, Taiwan
Tel: <886> (2) 2715-2888, Fax: <886> (2) 2713-2999

Renesas Technology (Shanghai) Co., Ltd.

Unit2607 Ruijing Building, No.205 Maoming Road (S), Shanghai 200020, China
Tel: <86> (21) 6472-1001, Fax: <86> (21) 6415-2952

Renesas Technology Singapore Pte. Ltd.

1 Harbour Front Avenue, #06-10, Keppel Bay Tower, Singapore 098632
Tel: <65> 6213-0200, Fax: <65> 6278-8001

