

■ Features :

- Universal AC input / Full range
- Protections: Short circuit / Over load / Over voltage
- Cooling by free air convection
- 100% full load burn-in test
- 2 years warranty

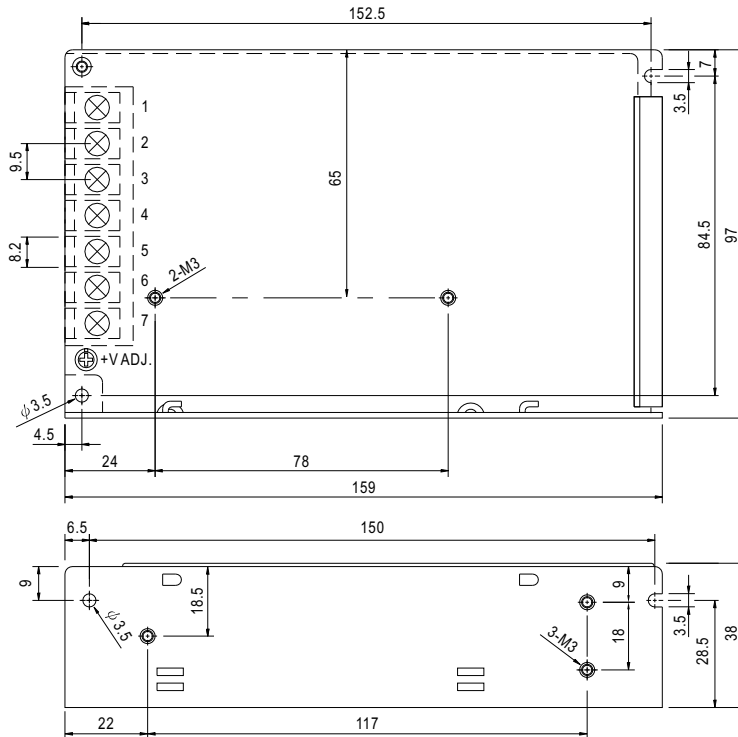


SPECIFICATION

| MODEL | NET-75A | | | NET-75B | | | NET-75C | | | NET-75D | | |
|---|---|------------|------------|----------------------------------|------------|------------|------------------|------------|------------|------------------|----------|------------|
| OUTPUT NUMBER | CH1 | CH2 | CH3 | CH1 | CH2 | CH3 | CH1 | CH2 | CH3 | CH1 | CH2 | CH3 |
| DC VOLTAGE | 5V | 12V | -5V | 5V | 12V | -12V | 5V | 15V | -15V | 5V | 24V | 12V |
| RATED CURRENT | 6A | 3A | 0.5A | 5A | 2.8A | 0.5A | 6A | 2.3A | 0.5A | 5A | 1.5A | 1A |
| CURRENT RANGE Note.6 | 0.6 ~ 7A | 0.2 ~ 3.5A | 0.1 ~ 0.7A | 0.6 ~ 7A | 0.2 ~ 3.5A | 0.1 ~ 0.7A | 0.6 ~ 7A | 0.1 ~ 3.5A | 0.1 ~ 0.7A | 0.6 ~ 6A | 0.1 ~ 2A | 0.1 ~ 1.5A |
| RATED POWER | 68.5W | | | 64.6W | | | 72W | | | 73W | | |
| RIPPLE & NOISE (max.) Note.2 | 80mVp-p | 120mVp-p | 120mVp-p | 80mVp-p | 120mVp-p | 120mVp-p | 80mVp-p | 150mVp-p | 150mVp-p | 80mVp-p | 200mVp-p | 120mVp-p |
| VOLTAGE ADJ. RANGE | CH1: 4.75 ~ 5.5V | | | CH1: 4.75 ~ 5.5V | | | CH1: 4.75 ~ 5.5V | | | CH1: 4.75 ~ 5.5V | | |
| VOLTAGE TOLERANCE Note.3 | ±2.0% | ±6.0% | ±5.0% | ±2.0% | ±6.0% | ±5.0% | ±2.0% | ±8.0% | ±5.0% | ±2.0% | ±8.0% | ±6.0% |
| LINE REGULATION Note.4 | ±0.5% | ±1.0% | ±1.0% | ±0.5% | ±1.0% | ±1.0% | ±0.5% | ±1.0% | ±1.0% | ±0.5% | ±1.0% | ±1.0% |
| LOAD REGULATION Note.5 | ±1.5% | ±3.0% | ±1.0% | ±1.5% | ±3.0% | ±1.0% | ±1.5% | ±3.0% | ±1.0% | ±1.5% | ±3.0% | ±3.0% |
| SETUP, RISE TIME | 500ms, 30ms/230VAC | | | 1200ms, 30ms/115VAC at full load | | | | | | | | |
| HOLD UP TIME (Typ.) | 50ms/230VAC | | | 10ms/115VAC at full load | | | | | | | | |
| VOLTAGE RANGE | 85 ~ 264VAC | | | 120 ~ 370VDC | | | | | | | | |
| FREQUENCY RANGE | 47 ~ 63Hz | | | | | | | | | | | |
| EFFICIENCY(Typ.) | 77% | | | 78% | | | 78% | | | 80% | | |
| AC CURRENT (Typ.) | 1.5A/115VAC | | | 0.9A/230VAC | | | | | | | | |
| INRUSH CURRENT (Typ.) | COLD START 45A | | | | | | | | | | | |
| LEAKAGE CURRENT | <2mA / 240VAC | | | | | | | | | | | |
| OVERLOAD | 110 ~ 150% rated output power Protection type : Hiccup mode, recovers automatically after fault condition is removed | | | | | | | | | | | |
| OVER VOLTAGE | CH1: 5.75 ~ 6.75V Protection type : Shut down o/p voltage, re-power on to recover | | | | | | | | | | | |
| WORKING TEMP. | -20 ~ +60°C (Refer to output load derating curve) | | | | | | | | | | | |
| WORKING HUMIDITY | 20 ~ 90% RH non-condensing | | | | | | | | | | | |
| STORAGE TEMP., HUMIDITY | -40 ~ +85°C, 10 ~ 95% RH | | | | | | | | | | | |
| TEMP. COEFFICIENT | ±0.03%/°C (0 ~ 45°C) | | | | | | | | | | | |
| VIBRATION | 10 ~ 500Hz, 2G 10min./1cycle, period for 60min. each along X, Y, Z axes | | | | | | | | | | | |
| SAFETY STANDARDS | UL60950-1, CB(IEC60950-1) Approved | | | | | | | | | | | |
| WITHSTAND VOLTAGE | I/P-O/P:3KVAC I/P-FG:1.5KVAC O/P-FG:0.5KVAC | | | | | | | | | | | |
| ISOLATION RESISTANCE | I/P-O/P, I/P-FG, O/P-FG:100M Ohms/500VDC | | | | | | | | | | | |
| EMI CONDUCTION & RADIATION | Compliance to EN55022 (CISPR22) Class B | | | | | | | | | | | |
| HARMONIC CURRENT | Compliance to EN61000-3-2,-3 | | | | | | | | | | | |
| EMS IMMUNITY | Compliance to EN61000-4-2, 3, 4, 5, 6, 8, 11, ENV50204, EN55024, EN61000-6-1 Light industry level, criteria A | | | | | | | | | | | |
| MTBF | 361.6K hrs min. MIL-HDBK-217F (25°C) | | | | | | | | | | | |
| DIMENSION | 159*97*38mm (L*W*H) | | | | | | | | | | | |
| PACKING | 0.52Kg; 30pcs/16.6Kg/0.97CUFT | | | | | | | | | | | |
| NOTE | 1. All parameters NOT specially mentioned are measured at 230VAC input, rated load and 25°C of ambient temperature. 2. Ripple & noise are measured at 20MHz of bandwidth by using a 12" twisted pair-wire terminated with a 0.1uf & 47uf parallel capacitor. 3. Tolerance : includes set up tolerance, line regulation and load regulation. 4. Line regulation is measured from low line to high line at rated load. 5. Load regulation is measured from 20% to 100% rated load, and other output at 60% rated load. 6. Each output can work within current range. But total output power can't exceed rated output power. 7. The power supply is considered a component which will be installed into a final equipment. The final equipment must be re-confirmed that it still meets EMC directives. | | | | | | | | | | | |

Mechanical Specification

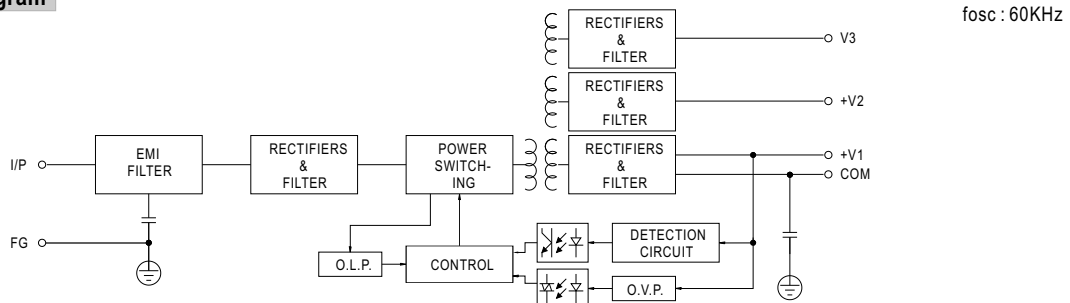
Case No. 901 Unit:mm



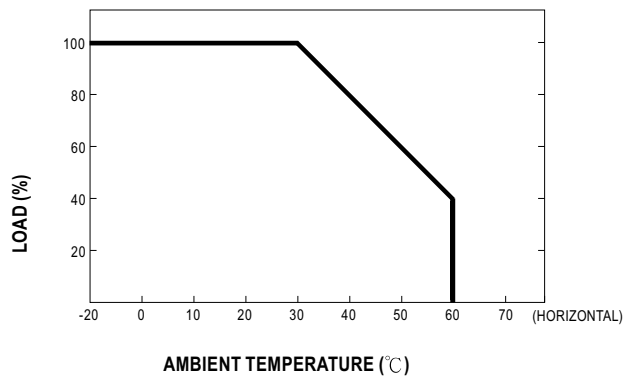
Terminal Pin. No Assignment

| Pin No. | Assignment | Pin No. | Assignment |
|---------|--------------|---------|---------------|
| 1 | AC/L | 5 | DC OUTPUT +V2 |
| 2 | AC/N | 6 | DC OUTPUT COM |
| 3 | FG \perp | 7 | DC OUTPUT +V1 |
| 4 | DC OUTPUT V3 | | |

Block Diagram



Derating Curve



Output Derating VS Input Voltage

