

### D-SUB MODULAR CONVERSION CONNECTOR

This is a conversion connector for use between an RS-232C interface(D-Sub 25 conductors) used for personal computer communications and modular connectors. The D-Sub and modular connectors used for the newly developed conversion connector have already been proven in many applications, winning confidence from our customers. The D-Sub mating parts feature a compact design with a screw lock system for use with computer related equipment.

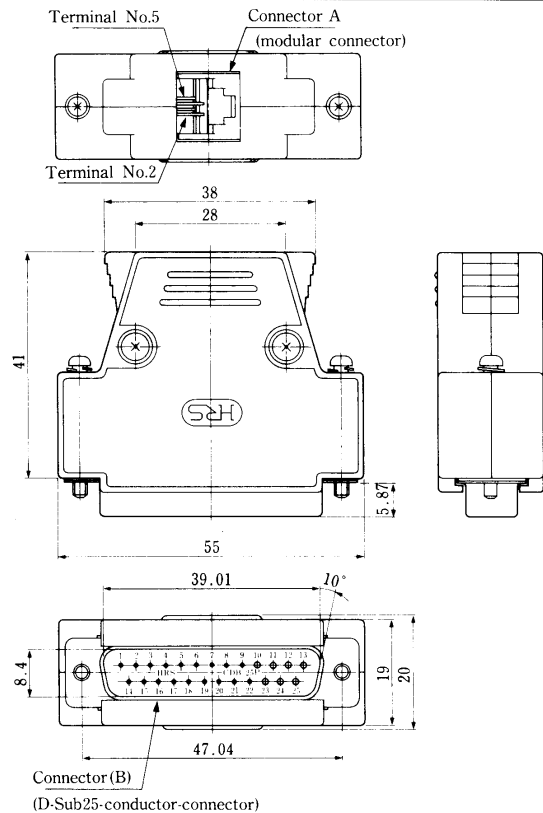
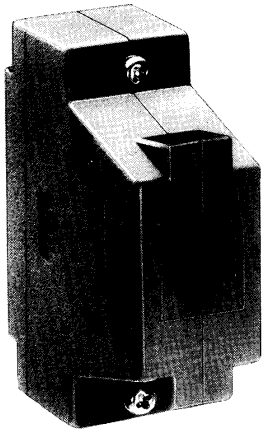
#### ● Material/Finish

Item		Material	Finish
Modular Connector	Insulator	ABS resin	Grey
	Terminal	Phosphor bronze	Gold-plated
D-Sub Connector	Shell	Mild steel	Zinc-plated and treated with dichromate
	Terminal	Phosphor bronze	Gold-plated

#### ● Electrical specifications

Item	Condition	Standard
Rated current	Per pin	500mA
Rated voltage	Per pin	125VAC
Insulation resistance	At 100 VDC	100 M Ω or more
Withstand voltage	standard voltage for 1 min.	500 VAC r.m.s.

#### ● TM12RV-6※ - ※



CL222-3032-7 TM12RV-64-A	CL222-3347-8 TM12RV-64-C	CL222-3396-3 TM12RV-64-D	CL222-3283-7 TM12RV-66-D
Connector A    Connector B	Connector A    Connector B	Connector A    Connector B	Connector A    Connector B
② ————— ⑬	② ————— ⑫	② ————— ②	① ————— ⑦
③ ————— ⑪	③ ————— ③	③ ————— ⑥	② ————— ⑧
④ ————— ⑩	④ ————— ⑦	④ ————— ③	③ ————— ⑫
⑤ ————— ⑮	⑤ ————— ②	⑤ ————— ⑦	④ ————— ⑥
	④	④	⑤ ————— ②
	⑤	⑤	⑥ ————— ③
	⑥		
	⑭		
	⑰		