



CONNOR—WINFIELD CORPORATION

AURORA, IL. 60505
PHONE (630) 851-4722
FAX (630) 851-5040

OSCILLATORS

HIGH FREQUENCY VCXO

SPECIFICATIONS	AV51—*	AV52—*	AV53—*	AV54—*	AV55—*
Frequency Range	14MHz to 100MHz				
Frequency Stability	±25ppm	±50ppm	±100ppm	±20ppm	±10ppm
Temperature Range	0°C to +70°C				
Waveform	ACMOS Squarewave, TTL Compatible				
Output	Voltage	4.4V Minimum			
	Vol	0.44V Maximum			
	Current	-24mA			
	Iol	24mA			
	Duty Cycle	40/60 Maximum			
Rise/Fall Time	3nS, 15pF Load				
Jitter (BW=10Hz to 20MHz)	5pS RMS Maximum				
Jitter (BW=12KHz to 20MHz)	1pS RMS Maximum				
Frequency Control	* Deviation Code (add to model number)				
	50	(±25ppm Minimum)			
	100	(±50ppm Minimum)			
	150	(±75ppm Minimum)			
	160	(±80ppm Minimum)			
	200	(±100ppm Minimum) Not available above 65MHz			
	Positive Transfer Characteristic				
Control Voltage	0.5Vdc to 4.5Vdc				
Center Frequency	2.5Vdc ±0.5Vdc				
Monotonic Linearity	< ±10%				
Input Impedance	≥ 50K ohms				
Modulation Bandwidth	≥ 15KHz				
Supply Voltage	+5Vdc ±5%				
Supply Current	35mA Max <50MHz , 60mA Max <90MHz				
Package	All metal, hermetically sealed, welded package				
Optional Suffix	S	Duty cycle 45/55 Maximum			

WARNING! Do not insert oscillator into a hot circuit. Failure to comply will result in damage to oscillator.

Specifications subject to change without notice

BULLETIN #: VX114
PAGE 1 OF 2

REV: 06
DATE: 4/30/03

ISSUED BY: _____

Dimensional Tolerance: ±.02"
±.005"



CONNOR-WINFIELD CORPORATION

AURORA, IL. 60505
 PHONE (630) 851-4722
 FAX (630) 851-5040

OSCILLATORS

EXAMPLE MODEL NUMBER:

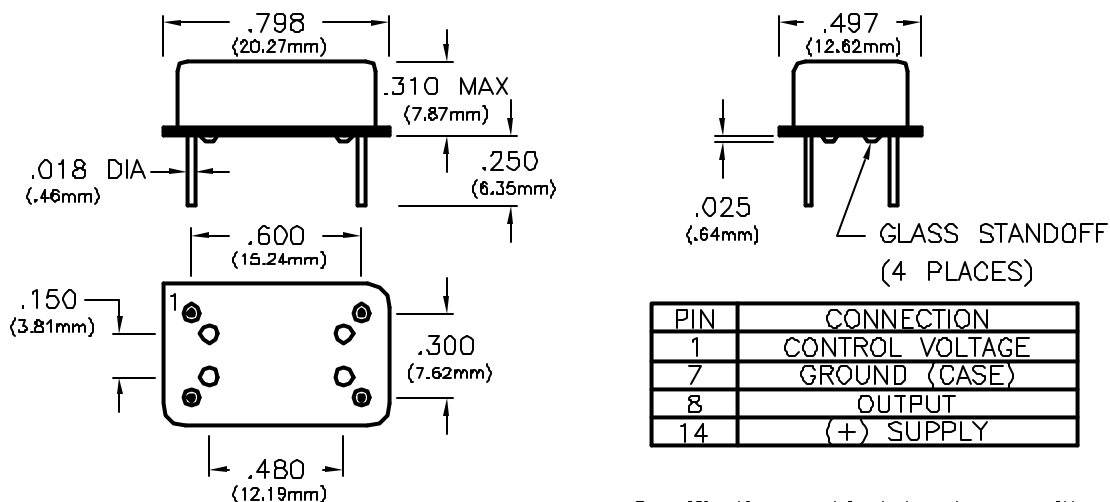
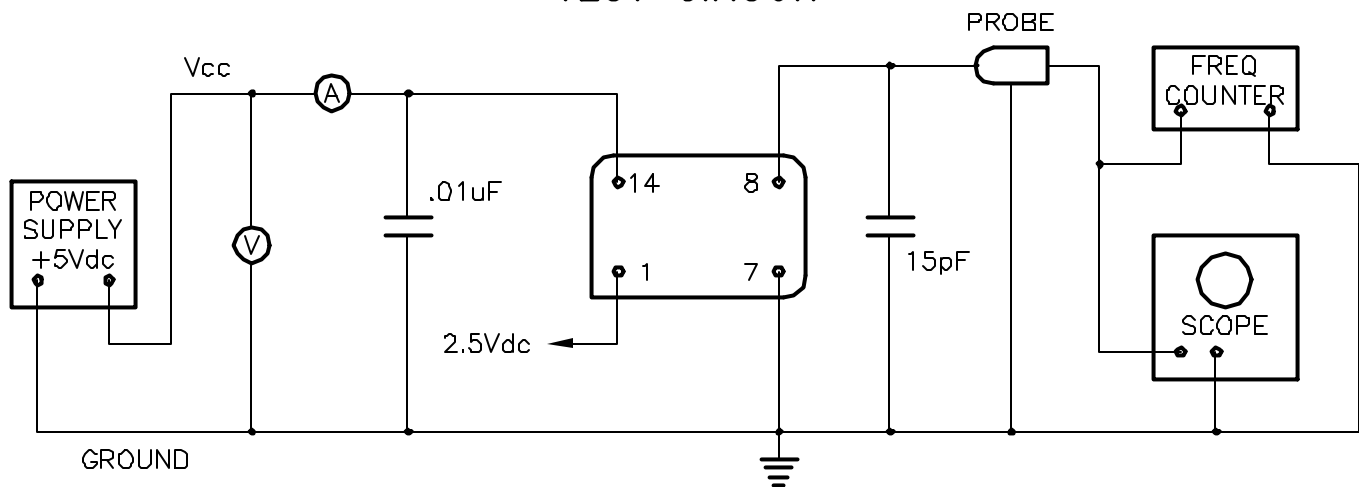
AV53 - 100 / 44.736 MHz

VCXO SERIES

MINIMUM DEVIATION OF
 ± 50 ppm FROM 0.5
 TO 4.5Vdc CONTROL
 VOLTAGE.

CENTER FREQUENCY

TEST CIRCUIT



Specifications subject to change without notice

BULLETIN #: VX114
 PAGE 2 OF 2

REV: 06
 DATE: 4/30/03

ISSUED BY: _____

Dimensional Tolerance: $\pm .02$ "
 $\pm .005$ "