

**Cascadable Amplifier
10 to 500 MHz**

A514

V1

Features

- HIGH GAIN: 28 dB (TYP.)
- LOW NOISE: 4.0 dB (TYP.)
- HIGH OUTPUT POWER: +19 dBm (TYP.)

Description

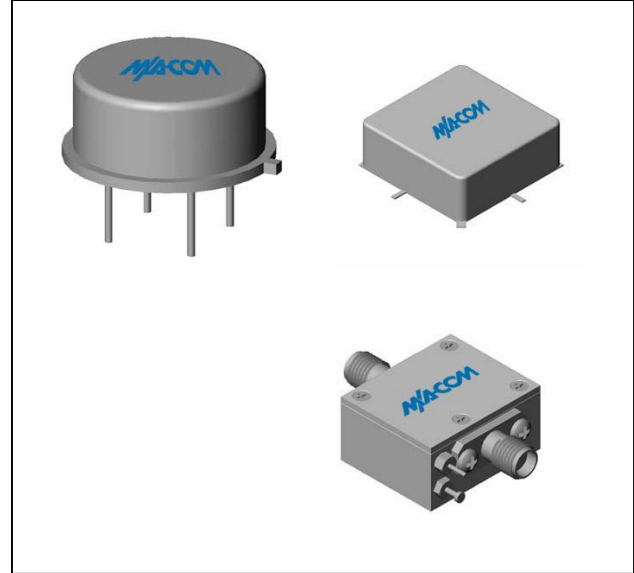
The A514 RF amplifier is a discrete hybrid design, which uses thin film manufacturing processes for accurate performance and high reliability. This 2 stage bipolar transistor feedback amplifier design displays impressive performance over a broadband frequency range. An active DC biasing network insures temperature-stable performance. Both TO-8 and Surface Mount packages are hermetically sealed, and MIL-STD-883 environmental screening is available.

Ordering Information

| Part Number | Package |
|--------------------|------------------|
| A514 | TO-8 |
| MAAM-007272-SMA514 | Surface Mount |
| MAAM-007272-0CA514 | Connectorized ** |

** The connectorized version is not RoHS compliant.

Product Image



Electrical Specifications: $Z_0 = 50\Omega$, $V_{CC} = +15 V_{DC}$

| Parameter | Units | Typical | Guaranteed | |
|---------------------------------|-------|---------------|---------------|----------------|
| | | 25°C | 0° to 50°C | -54° to +85°C* |
| Frequency | MHz | 3-600 | 5-500 | 5-500 |
| Small Signal Gain (min) | dB | 28.0 | 26.5 | 26.0 |
| Gain Flatness (max) | dB | ±0.3 | ±0.5 | ±0.8 |
| Reverse Isolation | dB | 36 | | |
| Noise Figure (max) | dB | 4.0 | 4.7 | 5.2 |
| Power Output @ 1 dB comp. (min) | dBm | 19.0 | 18.5 | 17.0 |
| IP3 | dBm | +32 | | |
| IP2 | dBm | +50 | | |
| Second Order Harmonic IP | dBm | +55 | | |
| VSWR Input / Output (max) | | 1.4:1 / 1.4:1 | 1.7:1 / 1.7:1 | 1.8:1 / 1.8:1 |
| DC Current @ 15 Volts (max) | mA | 96 | 103 | 110 |

Absolute Maximum Ratings

| Parameter | Absolute Maximum |
|--|------------------|
| Storage Temperature | -62°C to +125°C |
| Case Temperature | +110°C |
| DC Voltage | +17 V |
| Continuous Input Power | +13 dBm |
| Short Term Input power (1 minute max.) | 50 mW |
| Peak Power (3 µsec max.) | 0.5 W |
| "S" Series Burn-In Temperature (case) | +125°C |

Thermal Data: $V_{CC} = +15 V_{DC}$

| Parameter | Rating |
|---|---------|
| Thermal Resistance θ_{jc} | 150°C/W |
| Transistor Power Dissipation P_d | 0.36W |
| Junction Temperature Rise Above Case T_{jc} | +55°C |

* Over temperature performance limits for part number CA514, guaranteed from 0°C to +50°C only.

M/A-COM Inc. and its affiliates reserve the right to make changes to the product(s) or information contained herein without notice. M/A-COM makes no warranty, representation or guarantee regarding the suitability of its products for any particular purpose, nor does M/A-COM assume any liability whatsoever arising out of the use or application of any product(s) or information.

- **North America** Tel: 800.366.2266 / Fax: 978.366.2266
- **Europe** Tel: 44.1908.574.200 / Fax: 44.1908.574.300
- **Asia/Pacific** Tel: 81.44.844.8296 / Fax: 81.44.844.8298

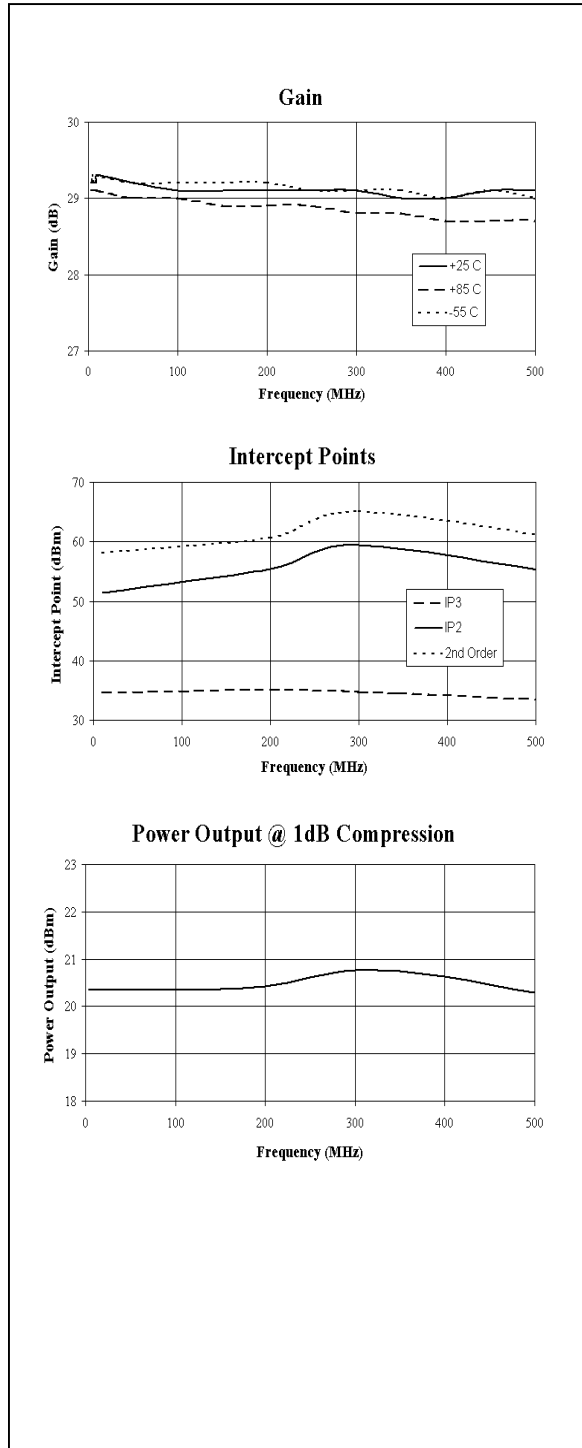
Visit www.macom.com for additional data sheets and product information.

**Cascadable Amplifier
10 to 500 MHz**

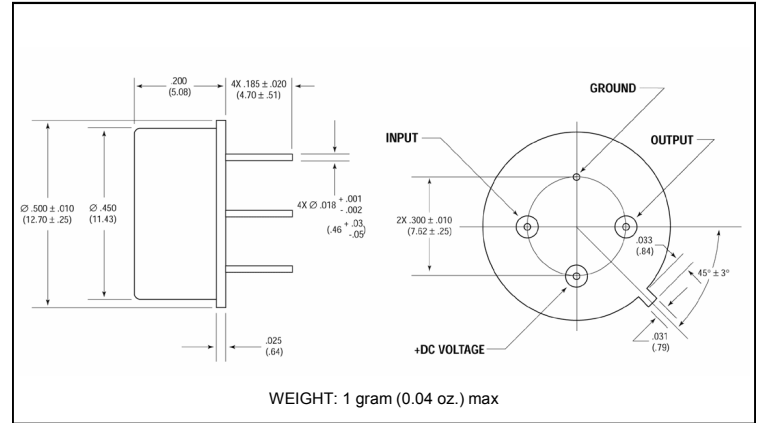
A514

V1

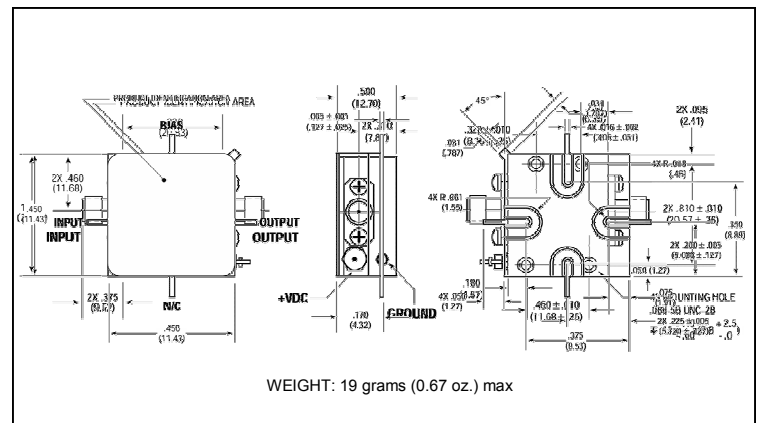
Typical Performance Curves at +25°C



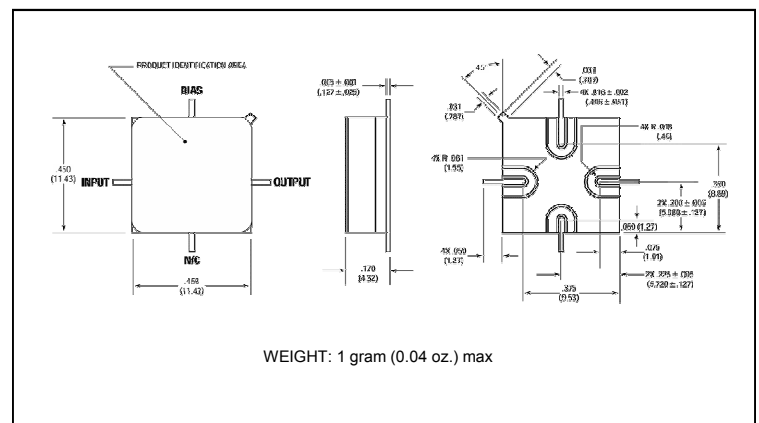
Outline Drawing: TO-8 *



Outline Drawing: Connectorized *



Outline Drawing: Surface Mount *



* Dimensions are inches (millimeters) ±0.015 (0.38) unless otherwise specified.

M/A-COM Inc. and its affiliates reserve the right to make changes to the product(s) or information contained herein without notice. M/A-COM makes no warranty, representation or guarantee regarding the suitability of its products for any particular purpose, nor does M/A-COM assume any liability whatsoever arising out of the use or application of any product(s) or information.

- **North America** Tel: 800.366.2266 / Fax: 978.366.2266
- **Europe** Tel: 44.1908.574.200 / Fax: 44.1908.574.300
- **Asia/Pacific** Tel: 81.44.844.8296 / Fax: 81.44.844.8298

Visit www.macom.com for additional data sheets and product information.