

Applications

- IEEE802.11b DSSS WLAN
- IEEE802.11g OFDM WLAN
- Access Points, PCMCIA, PC cards

Features

- Dual Mode IEEE802.11b & IEEE802.11g
- Integrated PA, TX Filter, DPDT T/R and Diversity switches
- Integrated Negative Slope Power Detector
- 21 dBm Output Power, 802.11b, 11 Mbits, ACPR <-30 dBc
- 18 dBm @ 3.0 % EVM, 802.11g, 54 Mbits
- Single supply voltage: 3.3 V ± 10 %
- Lead free, halogen free and RoHS compliant
- Small lead free, plated package, 4 mm x 5 mm x 0.9 mm, MSL 1

Product Description

The SE2559L20 is a complete 802.11 b/g WLAN RF front-end module providing all the functionality of the power amplifier, power detector, T/R switch, diversity switch and associated matching. The SE2559L20 provides a complete 2.4 GHz WLAN RF solution from the output of the transceiver to the antennas in an ultra compact form factor.

The SE2559L20 is designed for ease of use, with all the critical matching and harmonic filtering integrated, offering a simple 50 Ω interface to the antenna. The SE2559L20 also includes a transmitter power detector with 20 dB of dynamic range and a digital enable control for transmitter power ramp on/off control. The power ramp rise/fall time is 0.5 μs typical.

The device also provides a 3.2–3.3 GHz notch filter prior to the input of the power amplifier.

Ordering Information

Part No.	Package	Remark
SE2559L20	22 pin QFN	Samples
SE2559L20-R	22 pin QFN	Tape & Reel
SE2559L20-EK1	N/A	Evaluation kit

Functional Block Diagram

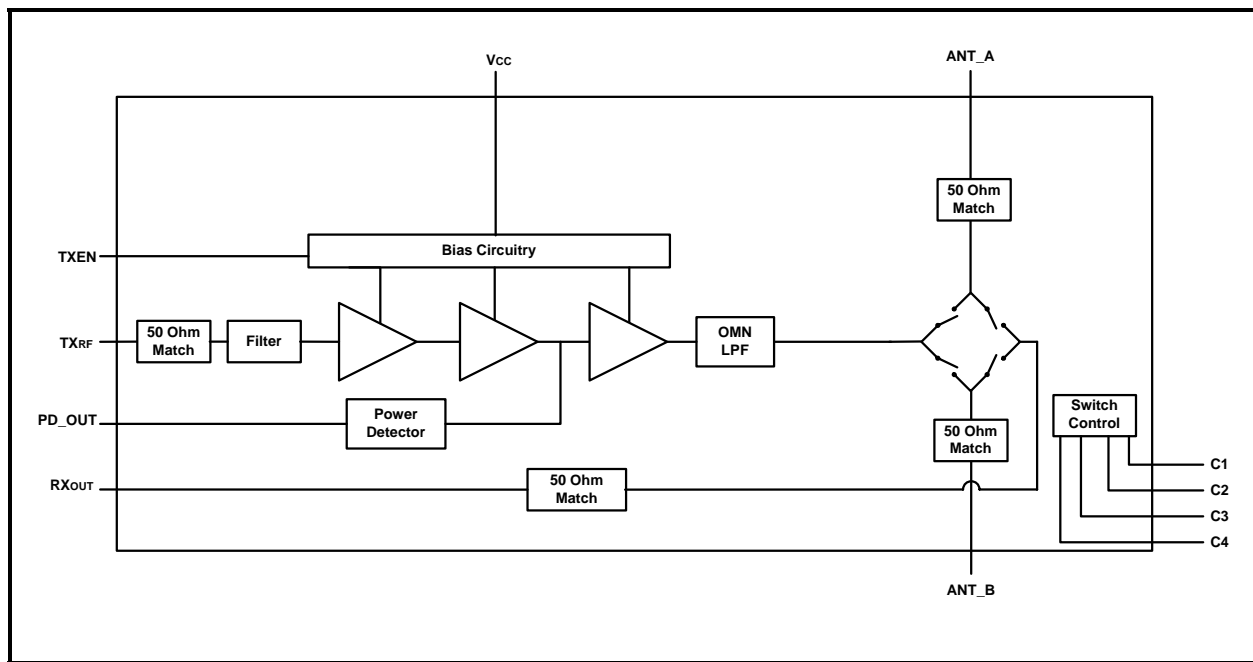


Figure 1: Functional Block Diagram

<http://www.sige.com>

Email: sales@sige.com

Customer Service Locations:

North America:
1050 Morrison Drive, Suite 100
Ottawa ON K2H 8K7 Canada

Phone: +1 613 820 9244
Fax: +1 613 820 4933

Hong Kong
Phone: +852 3428 7222
Fax: +852 3579 5450

San Diego
Phone: +1 858 668 3541 (ext. 226)
Fax: +1 858 668 3546

United Kingdom
Phone: +44 1279 464217
Fax: +44 1279 464201

Product Preview

The datasheet contains information from the product concept specification. SiGe Semiconductor, Inc. reserves the right to change information at any time without notification.

Preliminary Information

The datasheet contains information from the design target specification. SiGe Semiconductor, Inc. reserves the right to change information at any time without notification.

Production testing may not include testing of all parameters.

Information furnished is believed to be accurate and reliable and is provided on an "as is" basis. SiGe Semiconductor, Inc. assumes no responsibility or liability for the direct or indirect consequences of use of such information nor for any infringement of patents or other rights of third parties, which may result from its use. No license or indemnity is granted by implication or otherwise under any patent or other intellectual property rights of SiGe Semiconductor, Inc. or third parties. Specifications mentioned in this publication are subject to change without notice. This publication supersedes and replaces all information previously supplied. SiGe Semiconductor, Inc. products are NOT authorized for use in implantation or life support applications or systems without express written approval from SiGe Semiconductor, Inc.

Copyright 2009 SiGe Semiconductor, Inc.
All Rights Reserved

