



**Sparkle Power Inc.**  
 A Leading Power Supply Manufacturer  
 Web site: [www.sparklepower.com](http://www.sparklepower.com)

## **ATX-350PN (RoHS Compliant)** **350 Watts ATX12V 2.2 Switching Power Supply**

### Features

- Complied with ATX12V standard
- High efficiency and reliability, low noise and ripple
- Compatible with European Union Directive 2002/95/EC (Restriction on Hazardous Substances).
- Remote ON/OFF function
- Internal 12V DC fan included
- Noise Killer (thermal fan speed control function)
- Output over voltage, short circuit, and over current protection
- 100% Hi-pot, ATE, and burn-in tested
- Re-settable power shut down
- Complies with FCC part 15 subpart J class B 115Vac operation, and CISPR 22 class B at 230Vac operation
- Approved by UL60950, CSA C22.2 NO. 60950, TUV EN60950 or VDE EN60950, NEMKO EN60950 (CB Report)

### Input Characteristics

**Input Range:** ±10% of 115Vrms/57~63Hz or 230Vrms/47~53Hz,  
 Manual Selection

**Input Current:** 8A (RMS) @115Vac, 4A (RMS) @230Vac

**Inrush Current:** No Damage

### Output Characteristics

Output Voltage	Minimum Load	Normal Load	Maximum Load	Load Reg.	Line Reg.	Ripple & Noise
+3.3V	0.5A	11.0A	20.0A	± 5%	± 1%	50mV P-P
+5V	1.0A	10.5A	21.0A	± 5%	± 1%	50mV P-P
+12V1	1.0A	5.0A	18.0A	± 5%	± 1%	120mV P-P
+12V2	1.0A	7.5A	16.0A	± 5%	± 1%	120mV P-P
-12V	0.0A	0.15A	0.3A	± 10%	± 2%	120mV P-P
+5Vsb	0.0A	1.0A	2.5A	± 5%	± 1%	50mV P-P

\*+3.3V and +5V total output not exceed 130W

\*+12V1 and +12V2 total output not exceed 300W

\*+3.3V & +5V & +12V1 & +12V2 total output not exceed 335W

\* Total output for this subject power supply is 350W

**Sparkle Power Inc.**  
**Main Office**  
 1000 Rock Avenue  
 San Jose, CA 95131  
 TEL: 408-519-8888  
 FAX: 408-519-9999  
 E-MAIL: [info@sparklepower.com](mailto:info@sparklepower.com)



### Specification

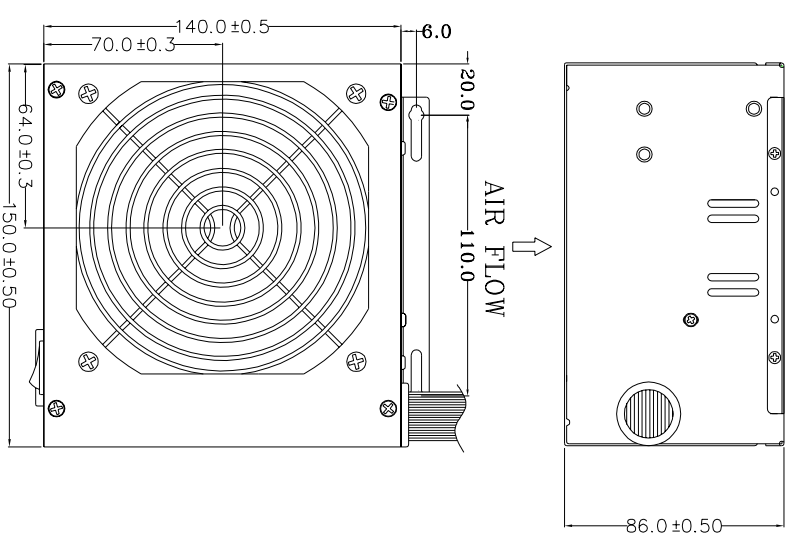
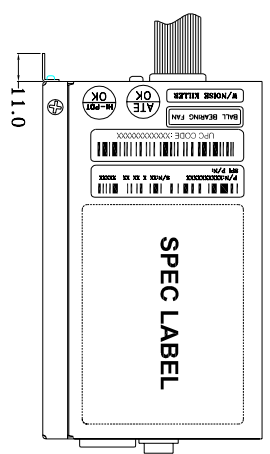
- **Temperature Range:** Operating: 0°C ~ +50°C, Full load at 25°C, De-rate 2W/°C from 25°C to 50°C;
- **Storage & shipping:** -20°C ~ +65°C
- **Humidity:** 5 ~ 95% on operating and storage
- **Dielectric Withstand:** Primary frame ground 1800V AC for 1 second
- **Efficiency:** 70% minimum measured at normal AC mains voltage and frequency with full load
- **Rise time:** Less than 20ms
- **Hold-up Time:** 16ms minimum at nominal input voltage
- **Power Good Signal:** Power on delay time 100 ~ 500ms, off delay 1ms minimum (TTL and CMOS compatible)
- **Leakage Current:** Less than 3.5mA at 115VAC/60Hz
- **MTBF:** 100,000 hours on maximum load at +25°C
- **Dimensions (LxWxH):** 140x150x86mm/5.5x5.9x3.4inch

**Sparkle Power Inc.**  
**Los Angeles Office**  
 17071 Green Drive  
 City of Industry, CA 91745  
 TEL: 626-839-7180  
 FAX: 626-839-3395

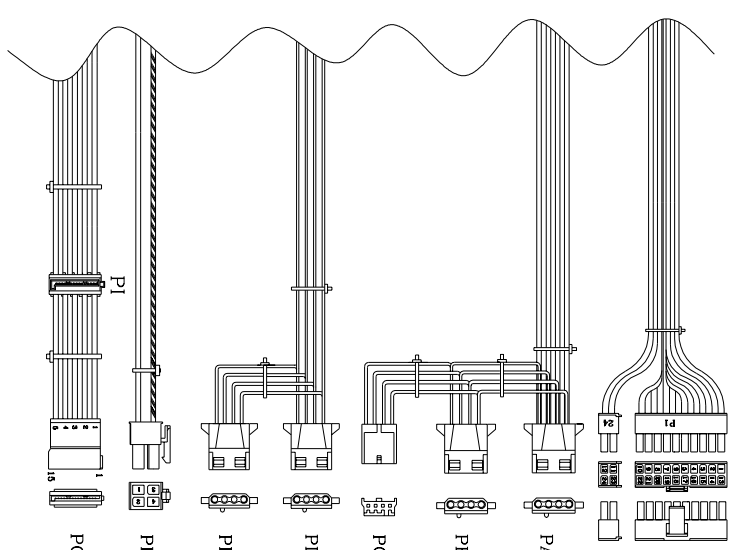
REF. ID	NO.	SYMBOL	NUMBER	VALUES	CONVERSION	UNIT
	1	3.5VDC	ORANGE	18	AMP	3500±30mm
	2	3.5VDC	ORANGE	18	AMP	3500±30mm
	3	5VDC	RED	18	AMP	3500±30mm
	4	5VDC	RED	18	AMP	3500±30mm
	5	5VDC	RED	18	AMP	3500±30mm
	6	5VDC	RED	18	AMP	3500±30mm
	7	5VDC	RED	18	AMP	3500±30mm
	8	5VDC	PURPLE	18	AMP	3500±30mm
	9	5VDC	PURPLE	18	AMP	3500±30mm
	10	5VDC	PURPLE	18	AMP	3500±30mm
	11	5VDC	YELLOW	18	AMP	3500±30mm
	12	5VDC	YELLOW	18	AMP	3500±30mm
	13	5VDC	BROWN	24	AMP	3500±30mm
	14	5VDC	BROWN	24	AMP	3500±30mm
	15	5VDC	BLACK	24	AMP	3500±30mm
	16	5VDC	BLACK	24	AMP	3500±30mm
	17	5VDC	BLACK	18	AMP	3500±30mm
	18	5VDC	BLACK	18	AMP	3500±30mm
	19	5VDC	BLACK	18	AMP	3500±30mm
	20	5VDC	RED	18	AMP	3500±30mm
	21	5VDC	RED	18	AMP	3500±30mm
	22	5VDC	RED	18	AMP	3500±30mm
	23	5VDC	RED	18	AMP	3500±30mm
	24	5VDC	YELLOW	18	AMP	3500±30mm
	25	5VDC	YELLOW	18	AMP	3500±30mm
	26	5VDC	YELLOW	18	AMP	3500±30mm
	27	5VDC	YELLOW	18	AMP	3500±30mm
	28	5VDC	YELLOW	18	AMP	3500±30mm
	29	5VDC	YELLOW	18	AMP	3500±30mm
	30	5VDC	YELLOW	18	AMP	3500±30mm
	31	5VDC	YELLOW	18	AMP	3500±30mm
	32	5VDC	YELLOW	18	AMP	3500±30mm
	33	5VDC	YELLOW	18	AMP	3500±30mm
	34	5VDC	YELLOW	18	AMP	3500±30mm
	35	5VDC	YELLOW	18	AMP	3500±30mm
	36	5VDC	YELLOW	18	AMP	3500±30mm
	37	5VDC	YELLOW	18	AMP	3500±30mm
	38	5VDC	YELLOW	18	AMP	3500±30mm
	39	5VDC	YELLOW	18	AMP	3500±30mm
	40	5VDC	YELLOW	18	AMP	3500±30mm
	41	5VDC	YELLOW	18	AMP	3500±30mm
	42	5VDC	YELLOW	18	AMP	3500±30mm
	43	5VDC	YELLOW	18	AMP	3500±30mm
	44	5VDC	YELLOW	18	AMP	3500±30mm
	45	5VDC	YELLOW	18	AMP	3500±30mm
	46	5VDC	YELLOW	18	AMP	3500±30mm
	47	5VDC	YELLOW	18	AMP	3500±30mm
	48	5VDC	YELLOW	18	AMP	3500±30mm
	49	5VDC	YELLOW	18	AMP	3500±30mm
	50	5VDC	YELLOW	18	AMP	3500±30mm
	51	5VDC	YELLOW	18	AMP	3500±30mm
	52	5VDC	YELLOW	18	AMP	3500±30mm
	53	5VDC	YELLOW	18	AMP	3500±30mm
	54	5VDC	YELLOW	18	AMP	3500±30mm
	55	5VDC	YELLOW	18	AMP	3500±30mm
	56	5VDC	YELLOW	18	AMP	3500±30mm
	57	5VDC	YELLOW	18	AMP	3500±30mm
	58	5VDC	YELLOW	18	AMP	3500±30mm
	59	5VDC	YELLOW	18	AMP	3500±30mm
	60	5VDC	YELLOW	18	AMP	3500±30mm
	61	5VDC	YELLOW	18	AMP	3500±30mm
	62	5VDC	YELLOW	18	AMP	3500±30mm
	63	5VDC	YELLOW	18	AMP	3500±30mm
	64	5VDC	YELLOW	18	AMP	3500±30mm
	65	5VDC	YELLOW	18	AMP	3500±30mm
	66	5VDC	YELLOW	18	AMP	3500±30mm
	67	5VDC	YELLOW	18	AMP	3500±30mm
	68	5VDC	YELLOW	18	AMP	3500±30mm
	69	5VDC	YELLOW	18	AMP	3500±30mm
	70	5VDC	YELLOW	18	AMP	3500±30mm
	71	5VDC	YELLOW	18	AMP	3500±30mm
	72	5VDC	YELLOW	18	AMP	3500±30mm
	73	5VDC	YELLOW	18	AMP	3500±30mm
	74	5VDC	YELLOW	18	AMP	3500±30mm
	75	5VDC	YELLOW	18	AMP	3500±30mm
	76	5VDC	YELLOW	18	AMP	3500±30mm
	77	5VDC	YELLOW	18	AMP	3500±30mm
	78	5VDC	YELLOW	18	AMP	3500±30mm
	79	5VDC	YELLOW	18	AMP	3500±30mm
	80	5VDC	YELLOW	18	AMP	3500±30mm
	81	5VDC	YELLOW	18	AMP	3500±30mm
	82	5VDC	YELLOW	18	AMP	3500±30mm
	83	5VDC	YELLOW	18	AMP	3500±30mm
	84	5VDC	YELLOW	18	AMP	3500±30mm
	85	5VDC	YELLOW	18	AMP	3500±30mm
	86	5VDC	YELLOW	18	AMP	3500±30mm
	87	5VDC	YELLOW	18	AMP	3500±30mm
	88	5VDC	YELLOW	18	AMP	3500±30mm
	89	5VDC	YELLOW	18	AMP	3500±30mm
	90	5VDC	YELLOW	18	AMP	3500±30mm
	91	5VDC	YELLOW	18	AMP	3500±30mm
	92	5VDC	YELLOW	18	AMP	3500±30mm
	93	5VDC	YELLOW	18	AMP	3500±30mm
	94	5VDC	YELLOW	18	AMP	3500±30mm
	95	5VDC	YELLOW	18	AMP	3500±30mm
	96	5VDC	YELLOW	18	AMP	3500±30mm
	97	5VDC	YELLOW	18	AMP	3500±30mm
	98	5VDC	YELLOW	18	AMP	3500±30mm
	99	5VDC	YELLOW	18	AMP	3500±30mm
	100	5VDC	YELLOW	18	AMP	3500±30mm

UNIT:mm

NOTE:  
1. ALL THE LENGTH OF OUTPUT WIRES EXCLUDE HOUSING.  
2. 產地標識依業務指示加貼.



3 客户要求變更整組線材



MODEL NO. : ATX-350PN(S030011)	TITLE: ASSY	SHEET: 1 OF 1 REV:03
R&D(1)	PE	DRAWN
		DATE
		DEC.19.2006

FSP P/N.:9PX3504609  
SPI P/N.:ATX-350PN-B204

Mechanical Drawing外觀/機構圖 表單編號7000P-01111