

Features

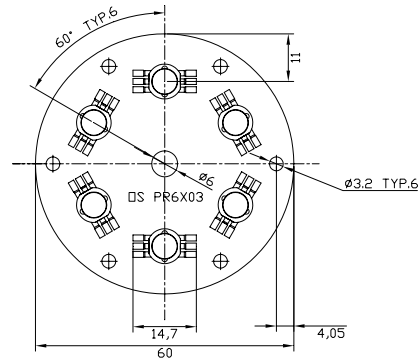
- Highest Luminous Flux
- Super Energy Efficiency
- Long Life
- Quick Response
- Superior ESD Protection
- Superior UV Resistance
- Can be equipped with lens:OS-OLSH6620P

Applications

- Small Space Lighting
- Mechanical equipment lights

Outline Size

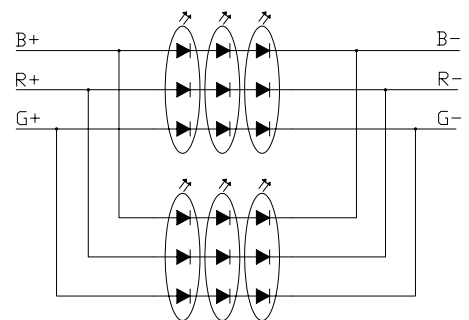
Unit: mm
Tolerance : $\pm 0.30\text{mm}$


Absolute Maximum Rating
(Ta=25)
Picture

Item	Symbol	Value	Unit
Operating Temperature	Tope	-30 ~ +85	
Storage Temperature	Tstg	-40~ +100	
Input Voltage(DC)	V _i (R)	9	V
	V _i (B/G)	12	V
Input Current(DC)	I _i	800	mA
Power Dissipation	Pa(R)	7.2	W
	Pa(B/G)	9.6	W


Electrical -Optical Characteristics
(Ta=25)
Circuit

Item	Symbol	Condition	Min.	Typ.	Unit
Input Voltage(DC)	V _i (R)	I _f =700mA	6.0	7.5	V
	V _i (B/G)	I _f =700mA	9	10	V
Power Dissipation	Pa(R)	I _f =700mA	4.2	5.25	W
	Pa(B/G)	I _f =700mA	6.3	7	W
Whole Luminous Flux*	v(R)	I _f =700mA	240	300	lm
	v(G)	I _f =700mA	300	420	lm
	v(B)	I _f =700mA	60	90	lm
Beam Pattern	BP	-	-	120	Deg
Net Weight	Wei	-	-	16	g


XEON LED Application Technologies
