

| | |
|-----------|--------------------|
| Model No. | OSPR3XX6-XXXXE1C1E |
| REV. | C1 |

Xeon Power 3W LED Module

Descriptions:

- Green light source, fast response
- Long life, easy installation
- LED model number: OSXXXXE1C1E

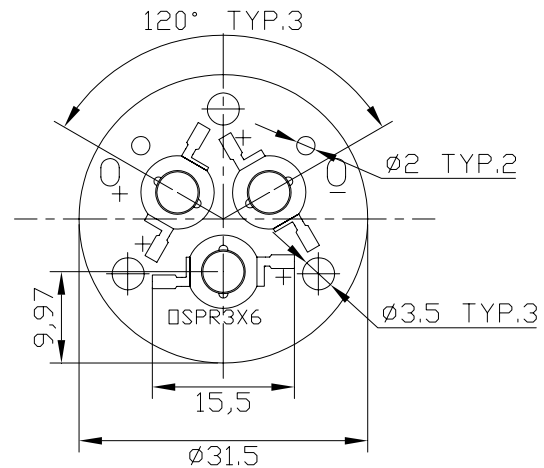
Features:

- Available in red, yellow, green, blue, white and warm white
- Super Bright
- Big Emitting Angle
- Superior ESD Protection
- Superior UV Resistance
- Can be equipped with lens: OS-OLTX3525X

Application:

- Small Space Lighting
- Mechanical equipment lights

Product Picture and Dimensions:





| | |
|-----------|------------------------|
| Model No. | OSPR3XX6- XXXME1C1E |
| REV. | C1 |

Device Selection Guide

| Module No. | Color | Wavelength (Typ.) | | Condition | Overall Luminous Flux (Typ.) |
|------------|------------|-------------------|-------|-----------|------------------------------|
| R5XAE1C1E | Red | 625 nm | | IF=350mA | 150 lm |
| G5XZE1C1E | Green | 525 nm | | IF=350mA | 225 lm |
| B5XZE1C1E | Blue | 470 nm | | IF=350mA | 45 lm |
| Y5XAE1C1E | Yellow | 590 nm | | IF=350mA | 150 lm |
| W4XZE1C1E | White | X=0.31,Y=0.33 | 6500K | IF=350mA | 300 lm |
| M5XZE1C1E | Warm White | X=0.45,Y=0.41 | 3000K | IF=350mA | 270 lm |

Absolute Maximum Ratings(Ta=25)

| Items | Symbol | Values | Units |
|----------------------------|----------------------------|-----------|-------|
| Operating supply range(DC) | V _{idc} (B, W, G) | 12 | V |
| | V _{idc} (R, Y) | 9 | |
| Input Current (DC) | I _i | 400 | mA |
| Power Dissipation | P _a (B, W, G) | 4.8 | W |
| | P _a (R, Y) | 3.6 | |
| Operating Temperature | T _{ope} | -10 ~ +40 | DegC |
| Storage Temperature | T _{stg} | -20 ~ +80 | DegC |

Typical Performance (Ta=25)

| Items | Symbol | Min. | Typ. | Max. | Units |
|-----------------------|--------------------------|------|-------|------|-------|
| LED Module Power | P _m (B, W, G) | - | 3.5 | 4.8 | w |
| | P _m (R, Y) | | 2.625 | 3.6 | |
| Input Voltage(DC) | V _i (B, W, G) | - | 10 | 12 | V |
| | V _i (R, Y) | | 7.5 | 9 | |
| Product input Current | I _f | - | 350 | 400 | mA |
| Beam Pattern | BP | - | 120 | - | Deg |
| PCB Diameter | L _{mod.} | - | 31.5 | - | mm |
| Net Weight | Wei. | --- | 5 | --- | g |