



**Sparkle Power Inc.**  
A Leading Power Supply Manufacturer  
Web site: [www.sparklepower.com](http://www.sparklepower.com)

## **ATX-300PN (RoHS Compliant)** **300 Watts ATX12V 2.2 Switching Power Supply**

### Features

- Complied with ATX12V standard
- High efficiency and reliability, low noise and ripple
- Compatible with European Union Directive 2002/95/EC (Restriction on Hazardous Substances).
- Remote ON/OFF function
- Internal 12V DC fan included
- Noise Killer (thermal fan speed control function)
- Output over voltage, short circuit, and over current protection
- 100% Hi-pot, ATE, and burn-in tested
- Re-settable power shut down
- Complies with FCC part 15 subpart J class B 115Vac operation, and CISPR 22 class B at 230Vac operation
- Approved by UL60950, CSA C22.2 NO. 60950, TUV EN60950 or VDE EN60950, NEMKO EN60950 (CB Report)

### Input Characteristics

**Input Range:** ±10% of 115Vrms/57~63Hz or 230Vrms/47~53Hz,  
Manual Selection

**Input Current:** 7A (RMS) @115Vac, 4A (RMS) @230Vac

**Inrush Current:** No Damage

### Output Characteristics

Output Voltage	Minimum Load	Normal Load	Maximum Load	Load Reg.	Line Reg.	Ripple & Noise
+3.3V	0.5A	10.0A	20.0A	± 5%	± 1%	50mV P-P
+5V	1.0A	10.0A	20.0A	± 5%	± 1%	50mV P-P
+12V1	1.0A	4.0A	16.0A	± 5%	± 1%	120mV P-P
+12V2	1.0A	7.0A	16.0A	± 5%	± 1%	120mV P-P
-12V	0.0A	0.4A	0.8A	± 10%	± 2%	120mV P-P
+5Vsb	0.0A	1.0A	2.5A	± 5%	± 1%	50mV P-P

\*+3.3V and +5V total output not exceed 120W

\*+12V1 and +12V2 total output not exceed 264W

\*+3.3V & +5V & +12V1 & +12V2 total output not exceed 280W

\* Total output for this subject power supply is 300W

**Sparkle Power Inc.**  
**Main Office**  
1000 Rock Avenue  
San Jose, CA 95131  
TEL: 408-519-8888  
FAX: 408-519-9999  
E-MAIL: [info@sparklepower.com](mailto:info@sparklepower.com)

**Sparkle Power Inc.**  
**Los Angeles Office**  
17071 Green Drive  
City of Industry, CA 91745  
TEL: 626-839-7180  
FAX: 626-839-3395



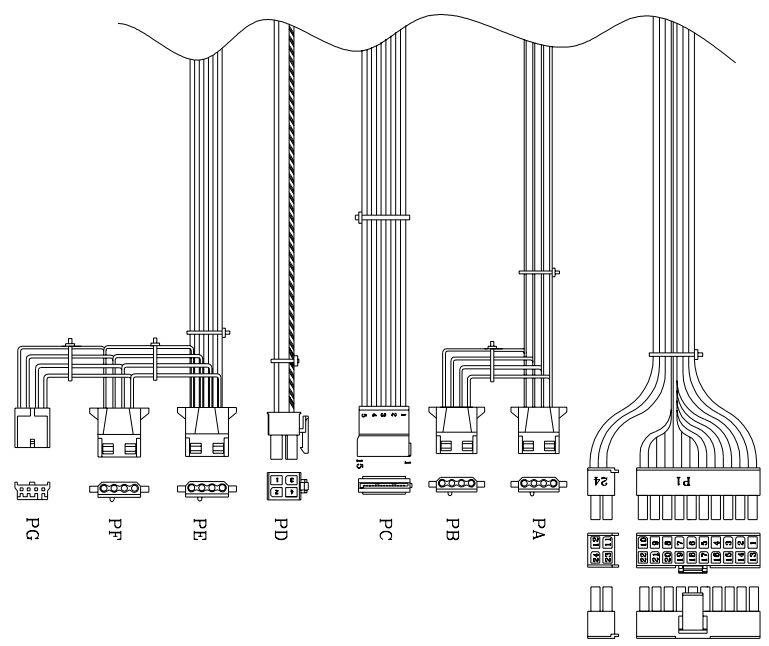
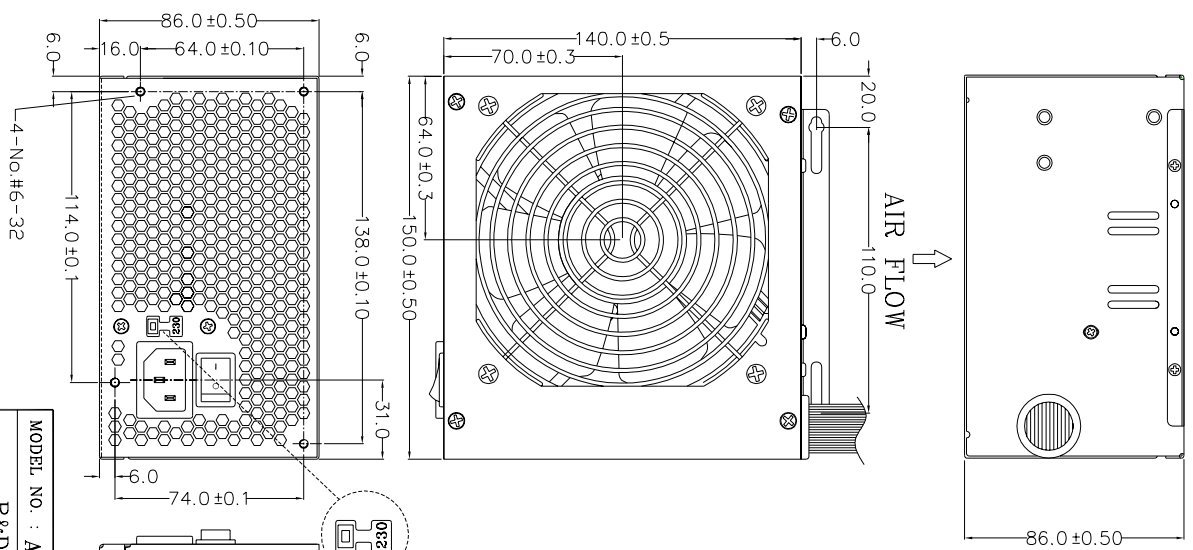
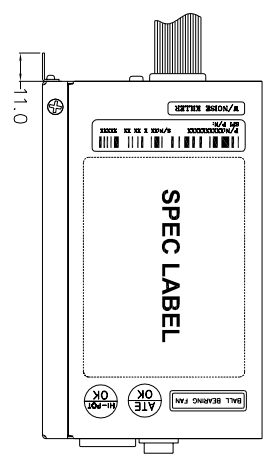
### Specification

- **Temperature Range:** Operating: 0°C ~ +50°C, Full load at 25°C, De-rate 2W/°C from 25°C to 50°C;
- **Storage & shipping:** -20°C ~ +65°C
- **Humidity:** 5 ~ 95% on operating and storage
- **Dielectric Withstand:** Primary frame ground 1800V AC for 1 second
- **Efficiency:** 70% minimum measured at normal AC mains voltage and frequency with full load
- **Rise time:** Less than 20ms
- **Hold-up Time:** 17ms minimum at nominal input voltage
- **Power Good Signal:** Power on delay time 100 ~ 500ms, off delay 1ms minimum (TTL and CMOS compatible)
- **Leakage Current:** Less than 3.5mA at 115VAC/60Hz
- **MTBF:** 100,000 hours on maximum load at +25°C
- **Dimensions (LxWxH):** 140x150x86mm/5.5x5.9x3.4inch

REF. ID.	SIGNAL	WIRE COLOR	GAGE	CONNECTOR TYPE	CABLE LENGTH
P1 /24	1 +3.3VDC	ORANGE	18	1P	350±30mm
	2 +3.3VDC	ORANGE	18	1P	350±30mm
	3 COM	BLACK	18	OR EQUIVALENT	-10
	4 +5VDC	RED	18		
	5 COM	BLACK	18		
	6 +5VDC	RED	18		
	7 COM	BLACK	18		
	8 PW-OK	GRAY	24		
	9 +5Vsb	PURPLE	18		
	10 +12V	YELLOW	18		
	11 +12V	YELLOW	18		
	12 +3.3VDC	ORANGE	18		
	13 +3.3VDC	ORANGE	20		
	14 +5VDC	RED	24		
	15 +5VDC	RED	24		
	16 COM	BLACK	24		
	17 PS-ON	GRAY	24		
	18 COM	BLACK	18		
	19 COM	BLACK	18		
	20 COM	BLACK	18		
	21 +5VDC	RED	18		
	22 +5VDC	RED	18		
	23 +5VDC	RED	18		
	24 COM	BLACK	18		
PA	1 +12V	YELLOW	18	AMP	350±30mm
	2 COM	BLACK	18	1-480424-0	350±30mm
	3 COM	BLACK	18	or EQUIV.	-10
	4 +5V	RED	18		
PB	1 +12V	YELLOW	18	AMP	350±30mm
	2 COM	BLACK	18	1-480424-0	350±30mm
	3 COM	BLACK	18	or EQUIV.	-10
	4 +5V	RED	18		
PC	1 +12V	YELLOW	18	15PIN	350±30mm
	2 COM	BLACK	18	SERIAL ATA	
	3 +5V	RED	18		
	4 COM	BLACK	18		
PD	1 COM	BLACK	18	MOLEX	350±30mm
	2 COM	BLACK	18	39-01-2040	350±30mm
	3 +12V2	YEL/BLK	18	or EQUIV.	-10
	4 +12V1	YEL/BLK	18		
PE	1 +12V1	YELLOW	18	AMP	350±30mm
	2 COM	BLACK	18	1-480424-0	350±30mm
	3 COM	BLACK	18	or EQUIV.	-10
	4 +5V	RED	18		
PF	1 +12V1	YELLOW	18	AMP	350±30mm
	2 COM	BLACK	18	1-480424-0	350±30mm
	3 COM	BLACK	18	or EQUIV.	-10
	4 +12V1	YELLOW	18		
PG	1 COM	BLACK	22	AMP	155±15mm
	2 COM	BLACK	22	171822-4	
	3 COM	BLACK	22	or EQUIV.	
	4 +5V	RED	22		

UNIT:mm

- NOTE:
1. ALL THE LENGTH OF OUTPUT WIRES EXCLUDE HOUSING.
  2. 產地標籤依業務指示加貼.



MODEL NO. : ATX-300PN(S03001)	TITLE: ASSY
R&D	PE
INTERIOR COUNTERSIGN:	DRAWN
	DATE
	JUN.22.2006

FSP P/N.:9PX3009704  
SPI P/N.:ATX-300PN-B204

Mechanical Drawing外觀/機構圖/表單編號7000P-01111