

PCI-6886

Intel® Celeron® M PCI Half-sized SBC with VGA/LVDS/LAN/USB 2.0/SATA and SSD



Features

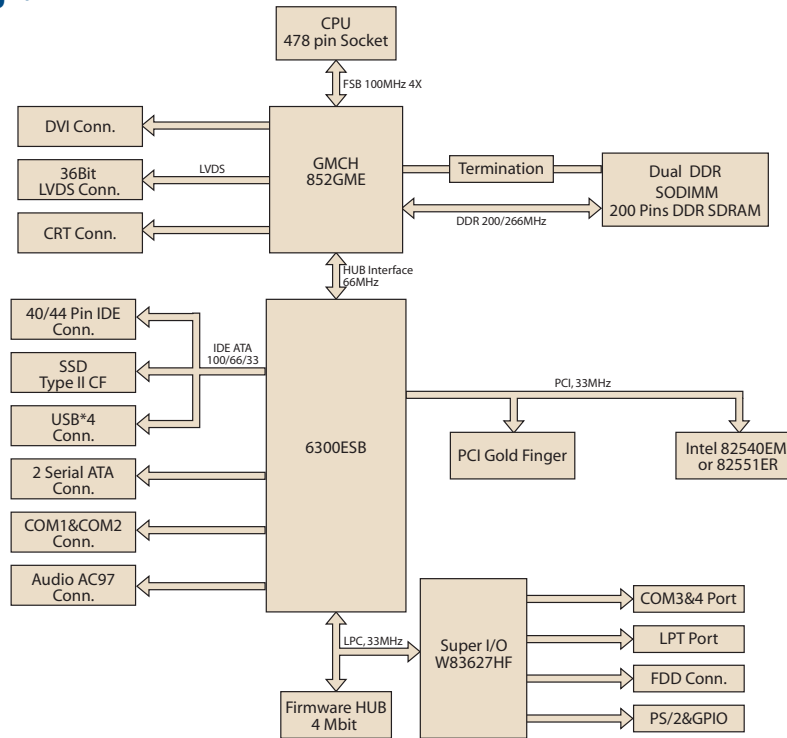
- Supports Intel® Celeron® M Processor
- Supports 400 MHz Front Side Bus
- Supports 200 MHz, 266 MHz DDR SDRAM
- Supports up to 2 Channel 36 bits LVDS for LCD
- Supports four USB 2.0 ports
- Supports two SATA ports

Specifications

Processor System	CPU	Celeron M	
	Max. Speed	600 MHz	
	L2 Cache	512 KB	
	Chipset	Intel 852GM/GMCH + 6300ESB	
Bus	BIOS	AWARD 4 Mbit FWH	
	Front Side Bus	400 MHz	
	PCI	32-bit/ 33 MHz	
Memory	ISA	-	
	Technology	DDR 200/266/333 MHz SDRAM SODIMM	
	Max. Capacity	2GB	
Graphics	Socket	200-pin SODIMM x 2	
	Controller	Chipset integrated VGA controller VGA mode: 1600 x 1200 @ 32bpp (85 MHz) LVDS display mode: up to UXGA panel resolution with frequency range from 25 MHz to 113 MHz	
	VRAM	Dynamically shared system memory up to 64 MB	
	LVDS	Dual-channel 36-bit LVDS	
Ethernet	Dual Display	CRT + LVDS CRT + DVI, LVDS + DVI (only operates under Windows)	
	Interface	10/100 Base-T, 10/1000 Base-T(Optional)	
EIDE	Controller	Intel 82551ER (FE); Intel 82541PI(GbE) (Optional)	
	Channel	RJ-45*1	
SATA (150MB/s)	Mode	ATA 100/66/33	
	port	2(Max. 4 devices)	
I/O Interface	USB	2	
	Serial	Max. 4 (USB 2 compliant)	
	Parallel	3 (RS-232)/ 1 (RS-232/RS-422/RS-485)	
	FDD	1	
	PS/2	1 (for mouse and Keyboard, Y cable included)	
Watchdog Timer	Output	Interrupt, system reset	
	Interval	Programmable, 1-255 sec.	
Miscellaneous	Audio Output	AC97 Audio interface (requires an audio extension module P/N: PCM-231A-00A1E)	
	Solid State Disk	Compact Flash socket (Type I/II), shared with secondary IDE	
Power Requirement	Typical	Celeron M 600 MHz 512KB L2, SDRAM SODIMM	
	Max	+12 V (0.31 A)	+5 V (1.91 A)
		+12 V (0.32 A)	+5 V (2.42 A)
Environment	Temperature	Operating	Non-Operating
	Dimensions	0 ~ 60° C	- 20 ~ 70° C
Physical	Dimensions	185 mm (L) x 122 mm (W) (7.3" x 4.8")	

Computer On Modules	1
Embedded Single Board Computers	2
Compact Embedded Computers	3
Pre-configured Systems	4
Industrial Motherboards	5
Slot Single Board Computers	6
Industrial Computer Chassis	7
Industrial Computer Peripherals	8
Panel PCs	9
Display Solutions	10
Digital Video Solutions	11
Vehicle Mounted Computers	12
Portable Computers	13
M2M Modules	14
Embedded Software Services	15

Board Diagram



Ordering Information

Part Number	On board CPU	FE LAN
PCI-6886F-M0A1E	Celeron M 600 MHz	Intel 82551ER

Bracket View



PCI-6886F-M0A1E

Packing List

Part Number	Description	Quantity
1700060202	Y Cable for PS/2 Keyboard, PS/2 Mouse	x 1
1701400452	E-IDE (HDD) cable	x 1
1701340603	FDD cable (600mm)	x 1
1700260250	Parallel port cable	x 1
1700000265	Power cable	x 1
1700001276	ATX feature cable	x 1
9689000002	Jumper pack	x 1
-	Startup manual	x 1
-	Utility CD	x 1

Accessories

Part Number	Description
IPC-644BP-15ZE	4-slot chassis w/ 150W power supply
IPC-6806SB-15ZBE	6-slot chassis w/ 150W power supply
1703100260	USB cable with 2 ports (2.0mm pitch)
CF-HDD-ADP	CompactFlash 50-pin to IDE 44-pin adapter
PCM-231A-00A1E	Audio module with Line-in, Line-out, Mic
1701140201	COM2 cable (2.0mm pitch)
1700001166	COM3 & 4 cable with bracket (2.0mm pitch)