

## Features

- 32,768 channel x 32,768 channel non-blocking digital Time Division Multiplex (TDM) switch at 65.536 Mbps, 32.768 Mbps or 16.384 Mbps
- 16,384 channel x 16,384 channel non-blocking digital TDM switch at 8.192 Mbps
- Up to 128 serial TDM input streams, divided into 32 groups with 4 input streams per group
- Up to 128 serial TDM output streams, divided into 32 groups with 4 output streams per group
- Per-group input bit delay for flexible sampling point selection
- Per-group output fractional bit advancement
- Four sets of output timing signals for interfacing additional devices
- Per-channel constant or variable throughput delay for frame integrity and low latency applications
- Per-channel high impedance output control
- Per-channel force-high output control
- Per-channel message mode

### Ordering Information

ZL50074GAC	484 Ball LPGA	Trays
ZL50074GAG2	484 Ball PBGA**	Trays

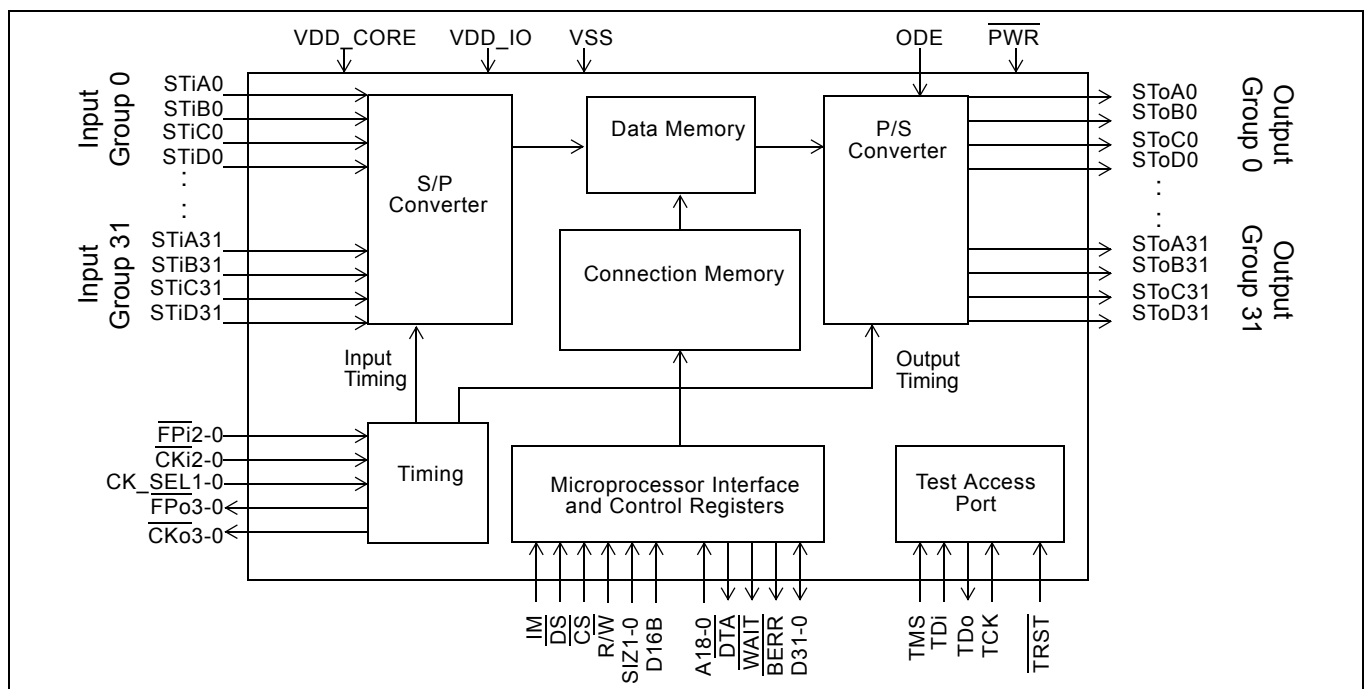
\*\*Pb Free Tin/Silver/Copper

**-40°C to +85°C**

- Control interface compatible with Intel and Motorola Selectable 32 bit and 16 bit non-multiplexed buses
- Connection Memory block programming
- Supports ST-BUS and GCI-Bus standards for input and output timing
- IEEE 1149.1 (JTAG) test port
- 3.3 V I/O with 5 V tolerant inputs; 1.8 V core

## Applications

- Large Switching Platforms
- Central Office Switches
- Wireless Base Stations and Controllers
- Multi-service Access Platforms



**Figure 1 - ZL50074 Functional Block Diagram**

- Digital Loop Carriers
- Time Division Multiplexers
- Media Gateways

## Description

The ZL50074 is a non-blocking Time Division Multiplex (TDM) switch with maximum 32,768 x 32,768 channels. The device can switch 64 kbps or Nx64 kbps TDM channels from any input stream to any output stream.

All TDM input and output streams operate at the same rate, either 65.536 Mbps, 32.768 Mbps, 16.384 Mbps or 8.192 Mbps, programmed by the Global Rate Control Register. In 65 Mbps mode, only STiA and SToA streams are used, resulting in 32 input and 32 output streams. In 32 Mbps mode, STiA, SToA, STiB, and SToB streams are available, resulting in 64 input and 64 output streams. In 16 Mbps or 8 Mbps mode, STiA, SToA, STiB, SToB, STiC, SToC, STiD and SToD streams are all available, resulting in 128 input and 128 output streams. The full 32 K x 32 K channel switching capacity is maintained at bit rates of 65 Mbps, 32 Mbps and 16 Mbps. The capacity reduces to 16 K x 16 K when operating at 8 Mbps.

The ZL50074 uses a master clock ( $\overline{CKi0}$ ) and frame pulse ( $\overline{FPi0}$ ) to define the TDM data stream frame boundary and timing. A high speed system clock is derived internally from  $\overline{CKi0}$  and  $\overline{FPi0}$ . The input and output data streams can independently reference their timings to one of the input clocks or to the internal system clock.

The ZL50074 has a variety of user configurable options designed to provide flexibility when data streams are connected to multiple TDM components or circuits. These include:

- Two additional programmable reference inputs,  $\overline{CKi2} - 1$  and  $\overline{FPi2} - 1$ , which can be used to provide alternative sources for input and output stream timing
- Variable input bit delay and output advancement, to accommodate delays and frame offsets of streams connected through different data paths
- Four timing outputs,  $\overline{CKo3} - 0$  and  $\overline{FPo3} - 0$ , which can be configured independently to provide a variety of clock and frame pulse options
- Support of both ST-BUS and GCI-Bus formats
- Per-channel variable delay mode for low latency applications and constant delay mode for frame integrity applications

The device contains two types of internal memory: Data Memory and Connection Memory. Incoming TDM data is stored in the Data Memory. TDM Data is read from the Data Memory controlled by the Connection Memory, and output on the TDM Output Streams.

There are two major modes of operation: Connection Mode and Message Mode. In Connection Mode, the contents of the Connection Memory define, for each output stream and channel, the input source stream and channel. In Message Mode, the Connection Memory is used for the storage of microprocessor data. Using Zarlink's Message Mode capability, microprocessor data can be broadcast to the data output streams on a per-channel basis. This feature is useful for transferring control and status information for external circuits or other TDM devices.

The non-multiplexed microprocessor port provides access to the internal Data Memory, Connection Memory and configuration registers used to program ZL50074 options. The port is configurable to interface with either Motorola or Intel-type microprocessors and is selectable to be either 32 bit or 16 bit.

The mandatory requirements of IEEE 1149.1 (JTAG) standard are supported via the dedicated Test Access Port.

## Table of Contents

<b>Features</b> .....	<b>1</b>
<b>Applications</b> .....	<b>1</b>
<b>Description</b> .....	<b>2</b>
<b>Change Summary</b> .....	<b>6</b>
<b>1.0 Functional Description</b> .....	<b>13</b>
1.1 Overview .....	13
1.2 Switching Configuration .....	14
1.3 Stream Provisioning .....	14
<b>2.0 Input Clock (<math>\overline{CKi}</math>) and Input Frame Pulse (<math>\overline{FPi}</math>) Timing</b> .....	<b>15</b>
<b>3.0 Output Clock (<math>\overline{CKo}</math>) and Output Frame Pulse (<math>\overline{FPo}</math>) Timing</b> .....	<b>16</b>
<b>4.0 Output Channel Control</b> .....	<b>16</b>
<b>5.0 Data Input Delay and Data Output Advancement</b> .....	<b>16</b>
5.1 Input Sampling Point Delay Programming .....	16
5.2 Fractional Bit Advancement on Output .....	17
<b>6.0 Message Mode</b> .....	<b>18</b>
6.1 Data Memory Read .....	19
6.2 Connection Memory Block Programming .....	19
<b>7.0 Data Delay Through the Switching Paths</b> .....	<b>19</b>
7.1 Constant Delay Mode .....	19
7.2 Variable Delay Mode .....	20
<b>8.0 Microprocessor Port</b> .....	<b>21</b>
8.1 Addressing .....	21
8.2 32 Bit Bus Operation .....	21
8.3 16 Bit Bus Operation .....	23
8.4 Bus Operation .....	24
8.4.1 Read Cycle .....	24
8.4.2 Write Cycle .....	25
<b>9.0 Power-up and Initialization of the ZL50074</b> .....	<b>26</b>
9.1 Device Reset and Initialization .....	26
9.2 Power Supply Sequencing .....	26
9.3 Initialization .....	26
<b>10.0 IEEE 1149.1 Test Access Port</b> .....	<b>27</b>
10.1 Test Access Port (TAP) .....	27
10.2 Instruction Register .....	28
10.3 Test Data Register .....	28
10.4 Boundary Scan Description Language (BSDL) .....	28
<b>11.0 Memory Map of ZL50074</b> .....	<b>29</b>
<b>12.0 Detailed Memory and Register Descriptions</b> .....	<b>29</b>
12.1 Connection Memory .....	29
12.1.1 Connection Memory Bit Functions .....	32
12.1.2 Connection Memory LSB .....	33
12.2 Data Memory .....	34
12.3 Group Control Registers .....	36
12.4 Input Clock Control Register .....	39
12.5 Output Clock Control Register .....	40
12.6 Block Init Register .....	44
12.7 Block Init Enable Register .....	44
12.8 Global Rate Control Register .....	45
<b>13.0 DC/AC Electrical Characteristics</b> .....	<b>46</b>

---

## List of Figures

Figure 1 - ZL50074 Functional Block Diagram .....	1
Figure 2 - Input Sampling Point Delay Programming.....	17
Figure 3 - Output Bit Advancement Timing .....	18
Figure 4 - Data Throughput Delay for Constant Delay.....	20
Figure 5 - Data Throughput Delay for Variable Delay .....	20
Figure 6 - Read Cycle Operation .....	25
Figure 7 - Write Cycle Operation .....	26
Figure 8 - Frame Pulse Input and Clock Input .....	49
Figure 9 - Frame Skew Timing Diagram .....	49
Figure 10 - ST-Bus Frame Pulse and Clock Output Timing .....	51
Figure 11 - GCI Frame Pulse and Clock Output Timing.....	51
Figure 12 - Serial Data Timing to CKi .....	53
Figure 13 - Serial Data Timing to CKo .....	55
Figure 14 - CKo to other CKo Skew.....	56
Figure 15 - Microprocessor Bus Interface Timing .....	58
Figure 16 - Intel Mode Timing .....	58
Figure 17 - JTAG Test Port & PWR Reset Timing .....	59

## List of Tables

Table 1 - Data Rate and Maximum Switch Size . . . . .	14
Table 2 - TDM Stream Bit Rates . . . . .	15
Table 3 - CKi0 and FPi0 Setting via CK_SEL1 - 0 . . . . .	15
Table 4 - Example of Address and Byte Significance . . . . .	21
Table 5 - 32 Bit Motorola Mode Byte Addressing . . . . .	21
Table 6 - 32 Bit Motorola Mode Access Transfer Size . . . . .	22
Table 7 - 32 Bit Intel Mode Bus Enable Signals . . . . .	22
Table 8 - Byte Enable Signals . . . . .	23
Table 9 - 16 Bit Mode Word Alignment . . . . .	23
Table 10 - 16 Bit Mode Example Byte Address . . . . .	24
Table 11 - Memory Map . . . . .	29
Table 12 - Connection Memory Group Address Mapping . . . . .	30
Table 13 - Connection Memory Stream Address Offset at Various Output Rates . . . . .	30
Table 14 - Connection Memory Timeslot Address Offset Range . . . . .	31
Table 15 - Connection Memory Bits (CMB) . . . . .	32
Table 16 - Connection Memory LSB Group Address Mapping . . . . .	33
Table 17 - Connection Memory LSB Stream Address Offset at Various Output Rates . . . . .	34
Table 18 - Data Memory Group Address Mapping . . . . .	34
Table 19 - Data Memory Stream Address Offset at Various Output Rates . . . . .	35
Table 20 - Group Control Register Addressing . . . . .	36
Table 21 - Group Control Register . . . . .	36
Table 22 - Input Clock Control Register . . . . .	39
Table 23 - Output Clock Control Register . . . . .	40
Table 24 - Block and Power-up Initialization Status Bits . . . . .	44

## Change Summary

The following table captures the changes from the April 2005 issue.

Page	Item	Change
24	8.4.1, "Read Cycle"	Clarified $\overline{\text{WAIT}}$ signal description in Read Cycle.
25	Figure 6 "Read Cycle Operation"	Corrected $\overline{\text{WAIT}}$ signal tristate timing in Read Cycle.
25	8.4.2, "Write Cycle"	Clarified $\overline{\text{WAIT}}$ signal description in Write Cycle.
26	Figure 7 "Write Cycle Operation"	Corrected $\overline{\text{WAIT}}$ signal tristate timing in Write Cycle.

The following table captures the changes from the July 2004 issue.

Page	Item	Change
11	"Pin Description" - CKO0-3	Added special requirement for using output clock at 65.536 MHz.
12	"Pin Description" - DTA, $\overline{\text{WAIT}}$	Added more detailed description to the DTA and $\overline{\text{WAIT}}$ pins.
48	"AC Electrical Characteristics1 - FPI0-2 and CKI0-2 Timing"	Added $t_{\text{FPIs}}$ , $t_{\text{FPIH}}$ (input frame pulse setup and hold) maximum values.
49	Figure 9 "Frame Skew Timing Diagram"	Added $\overline{\text{FPI}}_{1,2}$ frame pulse to Figure "Frame Skew Timing Diagram" to clarify frame boundary skew.
50	(1) "AC Electrical Characteristics1 - FPO0-3 and CKO0-3 (65.536 MHz) Timing" (2) "AC Electrical Characteristics1 - FPO0-3 and CKO0-3 (32.768 MHz) Timing" (3) "AC Electrical Characteristics1 - FPO0-3 and CKO0-3 (16.384 MHz) Timing" (4) "AC Electrical Characteristics1 - FPO0-3 and CKO0-3 (8.192 MHz) Timing"	Added $\overline{\text{CKO}}_{0-3}$ and $\overline{\text{FPO}}_{0-3}$ setup and hold parameters for all different clock rates.
51	"AC Electrical Characteristics - Output Clock Jitter Generation"	Added this table to specify $\overline{\text{CKO}}_{0-3}$ jitter generation.
52	"AC Electrical Characteristics - Serial Data Timing to CKi"	(1) Values of parameters $t_{\text{SIPS}}$ , $t_{\text{SIPH}}$ , $t_{\text{SINS}}$ , $t_{\text{SINH}}$ , $t_{\text{SIPV}}$ , $t_{\text{SINV}}$ , $t_{\text{SIPZ}}$ and $t_{\text{SINZ}}$ are revised. (2) Separated parameter $t_{\text{CKD}}$ into $t_{\text{CKDP}}$ and $t_{\text{CKDN}}$ .
53	Figure 12 "Serial Data Timing to CKi"	Added more detail to figure.
54	"AC Electrical Characteristics - Serial Data Timing to CKo"	Values of parameters $t_{\text{SOPS}}$ , $t_{\text{SOPH}}$ , $t_{\text{SONS}}$ , $t_{\text{SONH}}$ , $t_{\text{SOPV}}$ , $t_{\text{SONV}}$ , $t_{\text{SOPZ}}$ and $t_{\text{SONZ}}$ are revised.
54	Figure 13 "Serial Data Timing to CKo"	Added more detail to figure.
56	"AC Electrical Characteristics - CKo to Other CKo 1Skew"	Added $\overline{\text{CKO}}$ skew parameters, $t_{\text{CKOS}}$ , (clock source to internal APLL).
56	Figure 14 "CKo to other CKo Skew"	Added figure to show $t_{\text{CKOS}}$ .

**Pin Diagram - ZL50074 23 mm x 23 mm 484 Ball PBGA (as viewed through top of package)**

A1 corner identified by metallized marking

	1	2	3	4	5	6	7	8	9	10	11	12	13	14	15	16	17	18	19	20	21	22
<b>A</b>	$\overline{CKo}$ [0]	STIA [0]	D[30]	D[25]	D[20]	D[16]	D[15]	D[11]	D[7]	D[4]	D[0]	A[18]	A[14]	A[10]	A[7]	A[2]	A[1]	IC	$\overline{DTA}$	PWR	SToA [31]	TCK
<b>B</b>	SToB [1]	STID [1]	SToA [0]	D[31]	D[26]	D[21]	D16B	D[13]	D[9]	D[5]	D[3]	A[17]	A[11]	A[8]	A[6]	A[0]	$\overline{BERR}$	SIZ[0]	SToB [31]	STIA [31]	TDo	STIA [30]
<b>C</b>	STIA [2]	STIA [3]	STIB [1]	STID [0]	IM	D[27]	D[22]	D[19]	D[12]	D[6]	D[1]	A[15]	A[9]	A[3]	R/W	$\overline{CS}$	FPo [3]	STID [31]	$\overline{TRST}$	SToD [30]	STIB [30]	STID [29]
<b>D</b>	STIC [3]	STID [2]	SToC [1]	SToD [0]	SToB [0]	STIC [0]	D[28]	D[23]	D[17]	D[8]	A[16]	A[13]	A[5]	$\overline{DS}$	$\overline{WAIT}$	SToD [31]	STIB [31]	TDi	SToB [30]	STIC [30]	SToA [29]	SToD [28]
<b>E</b>	STID [4]	SToB [3]	STIC [2]	SToA [1]	STIA [1]	SToC [0]	STIB [0]	D[24]	D[18]	D[14]	D[2]	A[12]	A[4]	$\overline{CKo}$ [3]	SIZ[1]	STIC [31]	TMS	SToC [30]	STID [30]	SToD [29]	STIA [29]	STIB [28]
<b>F</b>	SToB [4]	SToC [3]	SToB [2]	SToD [1]	STIC [1]	V <sub>SS</sub>	V <sub>DD_CORE</sub>	D[29]	V <sub>DD_IO</sub>	V <sub>DD_CORE</sub>	D[10]	V <sub>DD_IO</sub>	V <sub>DD_CORE</sub>	SToC [31]	V <sub>DD_IO</sub>	V <sub>SS</sub>	V <sub>DD_CORE</sub>	SToA [30]	SToC [29]	STIC [29]	SToB [28]	STIA [28]
<b>G</b>	SToD [4]	SToD [3]	SToD [2]	STIB [2]	$\overline{FPo}$ [0]	V <sub>DD_IO</sub>	V <sub>SS</sub>	V <sub>SS</sub>	V <sub>DD_CORE</sub>	V <sub>DD_IO</sub>	V <sub>SS</sub>	V <sub>DD_CORE</sub>	V <sub>DD_IO</sub>	V <sub>SS</sub>	V <sub>DD_CORE</sub>	V <sub>DD_IO</sub>	V <sub>SS</sub>	SToB [29]	STIB [29]	STIC [28]	$\overline{CKi}$ [2]	STID [27]
<b>H</b>	STIA [5]	STIA [4]	STID [3]	SToC [2]	SToA [2]	V <sub>DD_CORE</sub>	V <sub>DD_IO</sub>	V <sub>SS</sub>	V <sub>SS</sub>	V <sub>DD_CORE</sub>	V <sub>DD_IO</sub>	V <sub>SS</sub>	V <sub>DD_CORE</sub>	V <sub>DD_IO</sub>	V <sub>SS</sub>	V <sub>DD_CORE</sub>	SToA [28]	SToC [28]	STID [28]	SToD [27]	STIC [27]	STIA [27]
<b>J</b>	STIB [5]	$\overline{CKi}$ [1]	STIC [4]	SToA [3]	STIB [3]	V <sub>DD_IO</sub>	V <sub>DD_CORE</sub>	V <sub>DD_IO</sub>	V <sub>SS</sub>	V <sub>SS</sub>	V <sub>SS</sub>	V <sub>SS</sub>	V <sub>SS</sub>	V <sub>SS</sub>	V <sub>DD_IO</sub>	V <sub>SS</sub>	V <sub>DD_IO</sub>	SToB [27]	SToC [27]	STIB [27]	IC	SToC [26]
<b>K</b>	SToB [5]	STID [5]	$\overline{FPi}$ [1]	SToC [4]	SToA [4]	STIB [4]	V <sub>SS</sub>	V <sub>DD_CORE</sub>	V <sub>SS</sub>	V <sub>SS</sub>	V <sub>SS</sub>	V <sub>SS</sub>	V <sub>SS</sub>	V <sub>SS</sub>	V <sub>DD_CORE</sub>	V <sub>DD_IO</sub>	V <sub>DD_CORE</sub>	SToA [27]	$\overline{FPi}$ [2]	SToA [26]	SToB [26]	STID [26]
<b>L</b>	ODE	SToD [5]	SToC [5]	STID [6]	STIC [5]	V <sub>DD_CORE</sub>	V <sub>DD_IO</sub>	V <sub>SS</sub>	V <sub>SS</sub>	V <sub>SS</sub>	V <sub>SS</sub>	V <sub>SS</sub>	V <sub>SS</sub>	V <sub>SS</sub>	V <sub>SS</sub>	V <sub>DD_CORE</sub>	SToD [26]	STIC [26]	STIB [26]	STIA [26]	SToD [25]	SToC [25]
<b>M</b>	STIA [6]	STIB [6]	STIC [6]	STIC [7]	SToA [5]	V <sub>DD_IO</sub>	V <sub>DD_CORE</sub>	V <sub>DD_IO</sub>	V <sub>SS</sub>	V <sub>SS</sub>	V <sub>SS</sub>	V <sub>SS</sub>	V <sub>SS</sub>	V <sub>SS</sub>	V <sub>DD_IO</sub>	V <sub>SS</sub>	V <sub>DD_IO</sub>	STIA [25]	STID [25]	SToB [25]	SToA [25]	IC
<b>N</b>	SToB [6]	SToC [6]	SToD [6]	SToA [7]	SToA [6]	V <sub>SS</sub>	V <sub>SS</sub>	V <sub>DD_CORE</sub>	V <sub>SS</sub>	V <sub>SS</sub>	V <sub>SS</sub>	V <sub>SS</sub>	V <sub>SS</sub>	V <sub>SS</sub>	V <sub>DD_CORE</sub>	V <sub>DD_IO</sub>	SToD [23]	SToC [24]	STID [24]	SToB [24]	STIB [25]	STIC [25]
<b>P</b>	STIA [7]	STIB [7]	SToB [7]	STIA [8]	SToA [8]	V <sub>DD_CORE</sub>	V <sub>DD_IO</sub>	V <sub>DD_IO</sub>	V <sub>SS</sub>	V <sub>SS</sub>	V <sub>SS</sub>	V <sub>SS</sub>	V <sub>SS</sub>	V <sub>SS</sub>	V <sub>DD_IO</sub>	V <sub>DD_CORE</sub>	V <sub>DD_CORE</sub>	SToA [23]	STIC [23]	STIB [24]	SToA [24]	SToD [24]
<b>R</b>	STID [7]	SToC [7]	IC	SToB [8]	STIB [8]	V <sub>DD_IO</sub>	V <sub>DD_CORE</sub>	V <sub>SS</sub>	V <sub>SS</sub>	V <sub>DD_CORE</sub>	V <sub>DD_IO</sub>	V <sub>SS</sub>	V <sub>DD_CORE</sub>	V <sub>DD_IO</sub>	V <sub>SS</sub>	V <sub>SS</sub>	V <sub>DD_IO</sub>	$\overline{CKo}$ [2]	STID [22]	STIB [23]	STIA [24]	STIC [24]
<b>T</b>	SToD [7]	V <sub>SS</sub>	SToC [8]	STID [9]	STIB [10]	SToD [9]	V <sub>SS</sub>	V <sub>SS</sub>	V <sub>DD_CORE</sub>	V <sub>DD_IO</sub>	V <sub>SS</sub>	V <sub>DD_CORE</sub>	V <sub>SS</sub>	V <sub>SS</sub>	V <sub>DD_CORE</sub>	V <sub>DD_IO</sub>	V <sub>SS</sub>	SToA [21]	$\overline{FPo}$ [2]	SToC [22]	STID [23]	SToC [23]
<b>U</b>	STIC [8]	SToD [8]	STIC [9]	STIA [10]	SToC [10]	V <sub>SS</sub>	V <sub>DD_IO</sub>	SToC [12]	V <sub>DD_IO</sub>	V <sub>DD_CORE</sub>	STIA [16]	V <sub>DD_IO</sub>	V <sub>DD_CORE</sub>	SToA [18]	V <sub>DD_IO</sub>	STIC [19]	V <sub>DD_CORE</sub>	SToC [20]	STID [21]	STIC [22]	SToD [22]	SToB [23]
<b>V</b>	STID [8]	STIB [9]	SToC [9]	SToB [10]	SToD [10]	SToB [11]	STIC [12]	STIB [13]	SToA [13]	STIC [15]	SToB [16]	SToC [16]	IC	CK_SEL[1]	STIB [18]	SToA [19]	STIA [20]	SToB [20]	SToD [20]	STID [21]	SToA [22]	STIA [23]
<b>W</b>	STIA [9]	SToB [9]	STID [10]	STIA [11]	SToA [11]	STIB [12]	SToD [12]	STIC [13]	STIA [14]	SToD [14]	SToC [15]	$\overline{CKi}$ [0]	IC	SToB [17]	CK_SEL[0]	SToC [18]	STID [19]	SToD [19]	STID [20]	STIC [21]	STIA [22]	SToB [22]
<b>Y</b>	SToA [9]	SToA [10]	STIB [11]	SToC [11]	SToA [12]	$\overline{FPo}$ [1]	STID [13]	STIB [14]	SToB [14]	STID [15]	SToD [15]	SToD [16]	IC	STIC [17]	SToC [17]	STIA [18]	SToB [18]	STIB [19]	STIB [20]	SToA [20]	SToB [21]	STIB [22]
<b>AA</b>	STIC [10]	STIC [11]	SToD [11]	STID [12]	STIA [13]	SToB [13]	SToD [13]	SToA [14]	STIA [15]	SToA [15]	STIB [16]	SToA [16]	$\overline{FPi}$ [0]	STIA [17]	SToA [17]	IC	IC	SToD [18]	SToB [19]	SToC [19]	STIA [21]	SToD [21]
<b>AB</b>	STID [11]	STIA [12]	SToB [12]	$\overline{CKo}$ [1]	SToC [13]	STIC [14]	STID [14]	SToC [14]	STIB [15]	SToB [15]	STIC [16]	STID [16]	NC	NC	STIB [17]	STID [17]	SToD [17]	STIC [18]	STID [18]	STIA [19]	STIC [20]	STIB [21]

## Pin Description

Pin	Name	Description
<b>TDM Interface</b>		
F7, F10, F13, F17, G9, G12, G15, H6, H10, H13, H16, J7, K8, K15, K17, L6, L16, M7, N8, N15, P6, P16, P17, R7, R10, R13, T9, T12, T15, U10, U13, U17	V <sub>DD_CORE</sub>	<b>Power Supply for the Core Logic: +1.8 V</b>
F9, F12, F15, G6, G10, G13, G16, H7, H11, H14, J6, J8, J15, J17, K16, L7, M6, M8, M15, M17, N16, P7, P8, P15, R6, R11, R14, R17, T10, T16, U7, U9, U12, U15	V <sub>DD_IO</sub>	<b>Power Supply for the I/O: +3.3 V</b>
F6, F16, G7, G8, G11, G14, G17, H8, H9, H12, H15, J9, J10, J11, J12, J13, J14, J16, K7, K9, K10, K11, K12, K13, K14, L8, L9, L10, L11, L12, L13, L14, L15, M9, M10, M11, M12, M13, M14, M16, N6, N7, N9, N10, N11, N12, N13, N14, P9, P10, P11, P12, P13, P14, R8, R9, R12, R15, R16, T2, T7, T8, T11, T13, T14, T17, U6	V <sub>SS</sub>	<b>Ground</b>
A2, E5, C1, C2, H2, H1, M1, P1, P4, W1, U4, W4, AB2, AA5, W9, AA9, U11, AA14, Y16, AB20, V17, AA21, W21, V22, R21, M18, L20, H22, F22, E21, B22, B20	STIA0-31	<b>Serial TDM Input Data 'A' Streams (5 V Tolerant Input with Internal Pull-down)</b> 32 serial TDM input data streams. All streams are at the same rate: 65.536 Mbps, 32.678 Mbps, 16.384 Mbps or 8.192 Mbps, programmed by the Global Rate Control Register (Section 12.8). The data streams can be selected to be either inverted or non-inverted, programmed by the Group Control Registers (Section 12.3). Unused inputs are pulled low by internal pull-down resistors and may be left unconnected.
E7, C3, G4, J5, K6, J1, M2, P2, R5, V2, T5, Y3, W6, V8, Y8, AB9, AA11, AB15, V15, Y18, Y19, AB22, Y22, R20, P20, N21, L19, J20, E22, G19, C21, D17	STIB0-31	<b>Serial TDM Input Data 'B' Streams (5 V Tolerant Input with Internal Pull-down)</b> 32 serial TDM input data streams. All streams are at the same rate: 32.678 Mbps, 16.384 Mbps or 8.192 Mbps, programmed by the Global Rate Control Register (Section 12.8). These streams are unused when the device data rate is 65.536 Mbps. The data streams can be selected to be either inverted or non-inverted, programmed by the Group Control Registers (Section 12.3). Unused inputs are pulled low by internal pull-down resistors and may be left unconnected.



## Pin Description (continued)

Pin	Name	Description
D6, F5, E3, D1, J3, L5, M3, M4, U1, U3, AA1, AA2, V7, W8, AB6, V10, AB11, Y14, AB18, U16, AB21, W20, U20, P19, R22, N22, L18, H21, G20, F20, D20, E16	STiC0-31	<p><b>Serial TDM Input Data 'C' Streams (5 V Tolerant Input with Internal Pull-down)</b></p> <p>32 serial TDM input data streams. All streams are at the same rate: 16.384 Mbps or 8.192 Mbps, programmed by the Global Rate Control Register (Section 12.8). These streams are unused when the device data rate is 65.536 Mbps or 32.678 Mbps.</p> <p>The data streams can be selected to be either inverted or non-inverted, programmed by the Group Control Registers (Section 12.3).</p> <p>Unused inputs are pulled low by internal pull-down resistors and may be left unconnected.</p>
C4, B2, D2, H3, E1, K2, L4, R1, V1, T4, W3, AB1, AA4, Y7, AB7, Y10, AB12, AB16, AB19, W17, W19, U19, R19, T21, N19, M19, K22, G22, H19, C22, E19, C18	STiD0-31	<p><b>Serial TDM Input Data 'D' Streams (5 V Tolerant Input with Internal Pull-down)</b></p> <p>32 serial TDM input data streams. All streams are at the same rate: 16.384 Mbps or 8.192 Mbps, programmed by the Global Rate Control Register (Section 12.8). These streams are unused when the device data rate is 65.536 Mbps or 32.678 Mbps.</p> <p>The data streams can be selected to be either inverted or non-inverted, programmed by the Group Control Registers (Section 12.3).</p> <p>Unused inputs are pulled low by internal pull-down resistors and may be left unconnected.</p>
B3, E4, H5, J4, K5, M5, N5, N4, P5, Y1, Y2, W5, Y5, V9, AA8, AA10, AA12, AA15, U14, V16, Y20, T18, V21, P18, P21, M21, K20, K18, H17, D21, F18, A21	SToA0-31	<p><b>Serial TDM Output Data 'A' Streams (5 V Tolerant, 3.3 V Tri-state Slew-Rate Controlled Outputs)</b></p> <p>32 serial TDM output data streams. All streams are at the same rate: 65.536 Mbps, 32.678 Mbps, 16.384 Mbps or 8.192 Mbps, programmed by the Global Rate Control Register (Section 12.8).</p> <p>The data streams can be selected to be either inverted or non-inverted, programmed by the Group Control Registers (Section 12.3).</p>
D5, B1, F3, E2, F1, K1, N1, P3, R4, W2, V4, V6, AB3, AA6, Y9, AB10, V11, W14, Y17, AA19, V18, Y21, W22, U22, N20, M20, K21, J18, F21, G18, D19, B19	SToB0-31	<p><b>Serial TDM Output Data 'B' Streams (5 V Tolerant, 3.3 V Tri-state Slew-Rate Controlled Outputs)</b></p> <p>32 serial TDM output data streams. All streams are at the same rate: 32.678 Mbps, 16.384 Mbps or 8.192 Mbps, programmed by the Global Rate Control Register (Section 12.8). These streams are unused when the device data rate is 65.536 Mbps.</p> <p>The data streams can be selected to be either inverted or non-inverted, programmed by the Group Control Registers (Section 12.3).</p> <p>Unused outputs are tristated and may be left unconnected.</p>
E6, D3, H4, F2, K4, L3, N2, R2, T3, V3, U5, Y4, U8, AB5, AB8, W11, V12, Y15, W16, AA20, U18, V20, T20, T22, N18, L22, J22, J19, H18, F19, E18, F14	SToC0-31	<p><b>Serial TDM Output Data 'C' Streams (5 V Tolerant, 3.3 V Tri-state Slew-Rate Controlled Outputs)</b></p> <p>32 serial TDM output data streams. All streams are at the same rate: 16.384 Mbps or 8.192 Mbps, programmed by the Global Rate Control Register (Section 12.8). These streams are unused when the device data rate is 65.536 Mbps or 32.678 Mbps.</p> <p>The data streams can be selected to be either inverted or non-inverted, programmed by the Group Control Registers (Section 12.3).</p> <p>Unused outputs are tristated and may be left unconnected.</p>

## Pin Description (continued)

Pin	Name	Description
D4, F4, G3, G2, G1, L2, N3, T1, U2, T6, V5, AA3, W7, AA7, W10, Y11, Y12, AB17, AA18, W18, V19, AA22, U21, N17, P22, L21, L17, H20, D22, E20, C20, D16	SToD0-31	<b>Serial TDM Output Data 'D' Streams (5 V Tolerant, 3.3 V Tri-state Slew-Rate Controlled Outputs)</b> 32 serial TDM output data streams. All streams are at the same rate: 16.384 Mbps or 8.192 Mbps, programmed by the Global Rate Control Register (Section 12.8). These streams are unused when the device data rate is 65.536 Mbps or 32.678 Mbps. The data streams can be selected to be either inverted or non-inverted, programmed by the Group Control Registers (Section 12.3). Unused outputs are tristated and may be left unconnected.
W12	$\overline{\text{CKi0}}$	<b>ST-BUS/GCI-Bus Clock Input (5 V Tolerant Schmitt-Triggered Input)</b> This pin accepts an 8.192 MHz, 16.384 MHz, 32.678 MHz or 65.536 MHz clock. This clock must be provided for correct operation of the ZL50074. The frequency of the $\overline{\text{CKi0}}$ input is selected by the CK_SEL1-0 inputs. The active clock edge may be either rising or falling, programmed by the Input Clock Control Register (Section 12.4).
AA13	$\overline{\text{FPi0}}$	<b>ST-BUS/GCI-Bus Frame Pulse Input (5 V Tolerant Input)</b> This pin accepts the 8 kHz frame pulse which marks the frame boundary of the TDM data streams. The pulse width is nominally one $\overline{\text{CKi0}}$ clock period (assuming ST-BUS mode) selected by the CK_SEL1-0 inputs. The active state of the frame pulse may be either high or low, programmed by the Input Clock Control Register (Section 12.4).
J2, G21	$\overline{\text{CKi1-2}}$	<b>ST-BUS/GCI-Bus Clock Inputs (5 V Tolerant Schmitt Triggered Inputs)</b> These optional TDM clock inputs are at 8.192 MHz, 16.384 MHz, 32.678 MHz or 65.536 MHz. The frequency of each clock input is automatically detected by the ZL50074. Refer to Section 2.0 for TDM timing options. The active clock edge may be either rising or falling, programmed by the Input Clock Control Register (Section 12.4). Unused inputs must be connected to a defined logic level.
K3, K19	$\overline{\text{FPi1-2}}$	<b>ST-BUS/GCI-Bus Frame Pulse Inputs (5 V Tolerant Inputs)</b> These 8 kHz input pulses correspond to the optional $\overline{\text{CKi2-1}}$ clock inputs. The frame pulses mark the frame boundary of the TDM data streams. Refer to Section 2.0 for TDM timing options. Each pulse width is nominally one $\overline{\text{CKi}}$ clock period (assuming ST-BUS mode). The active state of the frame pulse may be either high or low, programmed by the Input Clock Control Register (Section 12.4). Unused inputs must be connected to a defined logic level.

## Pin Description (continued)

Pin	Name	Description
A1, AB4, R18, E14	$\overline{\text{CKo0-3}}$	<b>ST-BUS/GCI-Bus Clock Outputs (3.3 V Outputs with Slew-Rate Control)</b> These clock outputs can be programmed to generate 8.192 MHz, 16.384 MHz, 32.678 MHz or 65.536 MHz TDM clock outputs. The active edge can be programmed to be either rising or falling. The source of the clock outputs can be derived from either the CKi2-0 inputs or the internal system clock. The frequency, active edge and source of each clock output can be programmed independently by the Output Clock Control Register (Section 12.5). For 65.536 MHz output clock, the total loading on the output should not be larger than 10pF.
G5, Y6, T19, C17	$\overline{\text{FPo0-3}}$	<b>ST-BUS/GCI-Bus Frame Pulse Outputs (3.3 V Outputs with Slew-Rate Control)</b> These 8 kHz output pulses mark the frame boundary of the TDM data streams. The pulse width is nominally one clock period of the corresponding CKo output. The active state of each frame pulse may be either high or low, independently programmed by the Output Clock Control Register (Section 12.5).
W15, V14	CK_SEL0-1	<b>Master Clock Input Select (5 V Tolerant Inputs)</b> Inputs used to select the frequency and frame alignment of $\overline{\text{CKi0}}$ and $\overline{\text{FPi0}}$ : CK_SEL1 = 0, CK_SEL0 = 0, 8.192 MHz CK_SEL1 = 0, CK_SEL0 = 1, 16.384 MHz CK_SEL1 = 1, CK_SEL0 = 0, 32.768 MHz CK_SEL1 = 1, CK_SEL0 = 1, 65.536 MHz
L1	ODE	<b>Output Drive Enable (5 V Tolerant Input with Internal Pull-up)</b> This is the asynchronous output enable control for the output streams. When it is high, the streams are enabled. When it is low, the output streams are tristated.
A18, J21, M22, R3, V13, W13, Y13, AA16, AA17	IC	<b>Internal Connections</b> In normal mode these pins <b>MUST</b> be connected low
AB13, AB14	NC	<b>No Connection</b> In normal mode these pins <b>MUST</b> be left unconnected.
<b>Microprocessor Port and Reset</b>		
A11, C11, E11, B11, A10, B10, C10, A9, D10, B9, F11, A8, C9, B8, E10, A7, A6, D9, E9, C8, A5, B6, C7, D8, E8, A4, B5, C6, D7, F8, A3, B4	D0-31	<b>Microprocessor Port Data Bus (5 V Tolerant Bi-directional with Slew-Rate Output Control)</b> 32 or 16 bit bidirectional data bus. Used for microprocessor access to internal memories and registers. When 16 bit mode is selected (D16B is logic 1), D31-16 are unused and must be connected to defined logic levels.
B16, A17, A16, C14, E13, D13, B15, A15, B14, C13, A14, B13, E12, D12, A13, C12, D11, B12, A12	A0-18	<b>Microprocessor Port Address Bus (5 V Tolerant Inputs)</b> 19 bit address bus for the internal memories and registers. In 16 bit bus mode (D16B is logic 1), please note A0 is not used and must be connected to a defined logic level. In Intel 32 bit mode: A1 = BE <sub>3</sub> , A0 = BE <sub>2</sub>
C16	$\overline{\text{CS}}$	<b>Chip Select Input (5 V Tolerant Input)</b> Active low input used with $\overline{\text{DS}}$ to enable read and write access to the ZL50074.

## Pin Description (continued)

Pin	Name	Description
D14	$\overline{DS}$	<b>Data Strobe Input (5 V Tolerant Input)</b> Active low input used with $\overline{CS}$ to enable read and write access to the ZL50074.
C15	R/W	<b>Read/Write Input (5 V Tolerant Input)</b> This input controls the direction of the data bus lines (D31 - 0) during a microprocessor access. This pin is set high and low for the read and write access respectively.
A19	$\overline{DTA}$	<b>Data Transfer Acknowledge (5 V Tolerant, 3.3 V Tri-state Output with Slew-Rate)</b> This active low output indicates that a data bus transfer is complete. An external pull-up resistor is required to hold this pin HIGH when output is high-impedance.
B17	$\overline{BERR}$	<b>Transfer Bus Error Output with Slew Rate Control (5 V Tolerant, 3.3 V Tri-state Outputs with Slew-Rate Control)</b> This pin goes low whenever the microprocessor attempts to access an invalid memory space inside the device. In Motorola bus mode, if this bus error signal is activated, the data transfer acknowledge signal, $\overline{DTA}$ , will not be generated. In Intel bus mode, the generation of the $\overline{DTA}$ is not affected by this $\overline{BERR}$ signal. An external pull-up resistor is required to hold a HIGH level when output is high-impedance.
D15	$\overline{WAIT}$	<b>Data Transfer Wait Output (5 V Tolerant, 3.3 V Tri-state Output with Slew Rate)</b> Active low wait signal output. An external pull-up resistor is required to hold this pin HIGH when output is high-impedance.
B18, E15	SIZ0-1	<b>Data Transfer Size/Upper and Lower Data Strobe Inputs (5 V Tolerant Inputs)</b> Motorola 32-bit mode - signals indicate data transfer size, refer to Section 8.0. Motorola 16-bit mode: SIZ0 - $\overline{LDS}$ , SIZ1 - $\overline{UDS}$ . Active low upper and lower data strobes, $\overline{UDS}$ and $\overline{LDS}$ , indicate whether the upper byte, D15 - 8, and/or lower byte, D7 - 0, is being accessed. Intel 32/16-bit mode: SIZ0 - $\overline{BE0}$ , SIZ1 - $\overline{BE1}$ Active low Intel type bus-enable signals, $\overline{BE1}$ and $\overline{BE0}$
C5	IM	<b>Microprocessor Port Bus Mode Select (5 V Tolerant Input)</b> Control input: 0 = Motorola mode 1 = Intel mode
B7	D16B	<b>Microprocessor Port Bus 16/32 Bit Mode Select (5 V Tolerant Input with Internal Pull-down)</b> Control input: 0 = 32 bit data bus 1 = 16 bit data bus

**Pin Description (continued)**

Pin	Name	Description
A20	$\overline{\text{PWR}}$	<b>Device Reset (5 V Tolerant Schmitt-Triggered Input)</b> Asynchronous reset input used to initialize the ZL50074. 0 = Reset 1 = Normal See Section 9.0, Power-up and Initialization of the ZL50074 for detailed description of Reset state.
<b>IEEE 1149.1 Test Access Port (TAP)</b>		
D18	TDi	<b>Test Data (5 V Tolerant Input with Internal Pull-up)</b> Serial test data input. When not used, this input may be left unconnected.
B21	TDo	<b>Test Data (3.3 V Output)</b> Serial test data output
A22	TCK	<b>Test Clock (5 V Tolerant Schmitt-Triggered Input with Internal Pull-up)</b> Provides the clock to the JTAG test logic
C19	$\overline{\text{TRST}}$	<b>Test Reset (5 V Tolerant Schmitt-Triggered Input with Internal Pull-up)</b> Asynchronously initializes the JTAG TAP controller by putting it in the Test-Logic-Reset state. This pin should be pulsed low during power-up to ensure that the device is in the normal functional mode. When JTAG is not being used, this pin should be pulled low during normal operation.
E17	TMS	<b>Test Mode Select (5 V Tolerant Input with Internal Pull-up)</b> JTAG signal that controls the state transitions of the TAP controller. When not used, this pin is pulled high by an internal pull-up resistor and may be left unconnected.

**1.0 Functional Description****1.1 Overview**

The device has 128 ST-BUS/GCI-Bus inputs (STiA0 - 31, STiB0 - 31, STiC0 - 31, STiD0 - 31) and 128 ST-BUS/GCI-Bus outputs (SToA0 - 31, SToB0 - 31, SToC0 - 31, SToD0 - 31). It is a non-blocking digital switch with 32,768 64 kbps channels and is capable of operating at 8.192 Mbps, 16.384 Mbps, 32.768 Mbps or 65.536 Mbps. The inputs accept serial data streams and the outputs deliver serial data streams at one of these data rates. All input and output streams operate at the same rate. There are 32 input groups with each group consisting of 4 streams ('A', 'B', 'C' and 'D'). If the data rate is set to 16.384 Mbps or 8.192 Mbps, STiA0 - 31, STiB0 - 31, STiC0 - 31 and STiD0 - 31 are used for the input traffic. When the data rate is set to 32.768 Mbps, STiA0 - 31 and STiB0 - 31 are used for the input traffic; STiC0 - 31 and STiD0 - 31 are not used. When the data rate is set to 65.536 Mbps, STiA0 - 31 are used for the input traffic; STiB0 - 31, STiC0 - 31, and STiD0 - 31 are not used. There are 32 output groups with each group consisting of 4 streams ('A', 'B', 'C', and 'D'). If the data rate is set to 16.384 Mbps or 8.192 Mbps, SToA0 - 31, SToB0 - 31, SToC0 - 31 and SToD0 - 31 are used for the output traffic. If the data rate is set to 32.768 Mbps, SToA0 - 31 and SToB0 - 31 are used for the output traffic; STiC0 - 31 and STiD0 - 31 are in high impedance. When the data rate is set to 65.536 Mbps, SToA0 - 31 are used for the output traffic; SToB0 - 31, SToC0 - 31, and SToD0 - 31 are in high impedance.

By using Zarlink's message mode capability, the microprocessor can store data in the connection memory which can be broadcast to the output streams on a per-channel basis. This feature is useful for transferring control and status information for external circuits or other ST-BUS/GCI-Bus devices.

The ZL50074 uses the ST-BUS/GCI-Bus master input frame pulse ( $\overline{\text{FPI0}}$ ) and the ST-BUS/GCI-Bus master input clock ( $\overline{\text{CKi0}}$ ) to define the input frame boundary and timing for sampling the ST-BUS/GCI-Bus input streams. The rate of the input clock is defined by setting the CK\_SEL1 - 0 pins. In addition, two more frame pulses and clocks can be accepted. The frequencies of these signals are automatically detected by the ZL50074.

A selectable Motorola or Intel compatible non-multiplexed microprocessor port allows users to program the device to operate in various modes under different switching configurations. Users can use the microprocessor port to perform internal register and memory read and write operations. The microprocessor port can be selectable to be either a 32 bit or 16 bit data bus and to have either a 19 bit or 17 bit address bus. This is selected by setting the D16B pin. There are seven control signals (CS, DS, R/W, DTA, WAIT, BERR and IM).

The device supports the mandatory requirements for the IEEE 1149.1 (JTAG) standard via the test port.

## 1.2 Switching Configuration

The ZL50074 switches 64 kbps and Nx64 kbps data and voice channels from the TDM input streams, to timeslots in the TDM output streams. The device is non-blocking; all 32 K input channels can be switched through to the outputs. Any input channel can be switched to any available output channel. The maximum switching capacity and the number of channels per stream are shown in Table 1 for different data rates of operation.

TDM Stream Data Rate	Number of Input TDM Data Streams	Number of Output TDM Data Streams	Number of 64 kbps Channels per Stream	Maximum Switch Capacity (streams x channels = total)
65 Mbps	32	32	1024	32 x 1024 = 32,768
32 Mbps	64	64	512	64 x 512 = 32,768
16 Mbps	128	128	256	128 x 256 = 32,768
8 Mbps	128	128	128	128 x 128 = 16,384

**Table 1 - Data Rate and Maximum Switch Size**

## 1.3 Stream Provisioning

The ZL50074 is a large switch with a comprehensive list of user configurable, 'per-group' programmable features. In order to facilitate ease of use, the ZL50074 offers a simple programming model. Streams are grouped in sets of four, with each group sharing the same configured characteristics. In this way it is possible to reduce programming complexity, while still maintaining flexible 'per-group' configuration options:

- Input stream clock source selection, see Section 2.0
- Output stream clock source selection, see Section 2.0
- Input stream sampling point selection, see Section 5.1
- Output stream fractional bit advance, see Section 5.2
- Input and output stream inversion control; see Section 12.3

There are 32 input and 32 output groups. Depending on the data rate set for the device there will be either 1, 2 or 4 streams activated in each group. If the data rate is set for 65.536 Mbps, the 'A' streams will be activated; the 'B', 'C' and 'D' streams will not be activated. If the data rate is set for 32.768 Mbps, the 'A' and 'B' streams will be activated; the 'C' and 'D' streams will not be activated. If the data rate is set for 16.384 Mbps or 8.192 Mbps, the 'A', 'B', 'C' and 'D' streams will all be activated. The maximum channel capacity of a group is 1024 channels when operating at any data rate except for 8.192 Mbps, in which case the maximum operating channel capacity decreases to 512 channels.

Table 1 shows the maximum number of streams available at different bit rates. The ZL50074 deactivates unused streams when operating at the higher bit rates as shown in Table 2.

Input or Output Group n (n = 0 - 31)	65 Mbps	32 Mbps	16 Mbps	8 Mbps
STiAn / SToAn	Active	Active	Active	Active
STiBn / SToBn	Not Active	Active	Active	Active
STiCn / SToCn	Not Active	Not Active	Active	Active
STiDn / SToDn	Not Active	Not Active	Active	Active

**Table 2 - TDM Stream Bit Rates**

All TDM input and output data streams operate at the same rate, programmed by the Global Rate Control Register (Section 12.8).

## 2.0 Input Clock ( $\overline{\text{CKi}}$ ) and Input Frame Pulse ( $\overline{\text{FPi}}$ ) Timing

The input timing for the ZL50074 can be set for one of four different frequencies. They can also be set for ST-BUS or GCI-Bus mode with positive or negative input. The  $\overline{\text{CKi0}}$  and  $\overline{\text{FPi0}}$  input timing must be provided in order for the device to be used. There are two additional input clocks and frame pulses that can be provided.  $\overline{\text{CKi0}}$  is used to generate the internal clock. This clock is used for all the internal logic and can be used as one of the clocks that defines the timing for the input and output data. The input stream clock source is selected by the ISSRC1 - 0 (bits 1 - 0) in the Group Control Register. The output stream clock source is selected by the OSSRC1 - 0 (bits 17 - 16) in the Group Control Register.

The  $\overline{\text{CKi0}}$  and  $\overline{\text{FPi0}}$  input frequency is set via the CK\_SEL1 - 0 pins as shown in Table 3. By default the  $\overline{\text{CKi0}}$  and  $\overline{\text{FPi0}}$  pins accept ST-BUS, negative input timing. The input frame pulse format (ST-BUS/GCI-Bus), frame pulse polarity, and clock polarity can be programmed by the GCISEL0 (bit 2), FPIPOL0 (bit 1), and CKIPSL0 (bit 0) in the Input Clock Control Register (ICCR), as described in Section 12.4.

CK_SEL1	CK_SEL0	Input $\overline{\text{CKi0}}$ and $\overline{\text{FPi0}}$
0	0	8.192 MHz
0	1	16.384 MHz
1	0	32.768 MHz
1	1	65.536 MHz

**Table 3 -  $\overline{\text{CKi0}}$  and  $\overline{\text{FPi0}}$  Setting via CK\_SEL1 - 0**

Two additional input clocks ( $\overline{\text{CKi2}}$  - 1) and frame pulses ( $\overline{\text{FPi2}}$  - 1) can be accepted. These signals can be 8.192 MHz, 16.384 MHz, 32.768 MHz or 65.536 MHz and the rates are automatically detected by the device. These clocks and their frame boundaries must be phase aligned with the  $\overline{\text{CKi0}}$  and its frame boundary within a 30 ns skew but can have different jitter values. The clocks do not have to have the same frequency. If these additional clocks are not used, the pins must be connected to a defined logic level.

These additional input clocks and frame pulses can be used as alternative clock sources for the input streams, output streams, and output clocks / frame pulses. The input streams' clock sources are controlled by the ISSRC1-0 (bits 1 - 0) in the Group Control Registers (GCR). The output streams' clock sources are controlled by the OSSRC1-0 (bits 17 - 16) in the Group Control Registers (GCR). The output clocks' / frame pulses' clock sources are controlled by the CKO3SRC1-0 (bits 22-21), CKO2SRC1-0 (bits 15-14), CKO1SRC1-0 (bits 8-7), and CKO0SRC1-0 (bits 1-0) in the Output Clock Control Register (OCCR). The clock sources can be set to either the internal system clock or one of the three input clock signals. These are used to provide a direct interface to jittery peripherals.

When the internal system clock is not used as the clock source, there are limitations to the data rate and the output clock rate. For all the input and output stream groups that do not use the internal system clock as their clock source, the data rate is limited to be no higher than the selected clock source's rate (e.g., if CKi1 runs at 16.384 MHz and it is selected as the clock source for input stream group 3, then the maximum data rate of STiA3, STiB3, STiC3, and STiD3 is 16.384 Mbps). Similarly, for all the output clocks that do not use the internal system clock as their clock source, the clock rate is limited to be no higher than the selected clock source's rate (e.g., if CKi1 runs at 32.768 MHz and it is selected as the clock source for output clock CKo0, then the maximum clock rate of CKo0 is 32.768 MHz).

### 3.0 Output Clock ( $\overline{\text{CKo}}$ ) and Output Frame Pulse ( $\overline{\text{FPo}}$ ) Timing

There are four output timing pairs,  $\overline{\text{CKo3}} - 0$  and  $\overline{\text{FPo3}} - 0$ . By default these signals generate ST-BUS, negative timing, and use the internal system clock as reference clock source. Their default clock rates are 65.536 MHz for CKo0, 32.768 MHz for CKo1, 16.384 MHz for CKo2, and 8.192 MHz for CKo3. Their properties can also be individually programmed in the Output Clock Control Register (OCCR) to control the frame pulse format (ST-BUS/GCI-Bus), frame pulse polarity, clock polarity, clock rate (8.192 MHz, 16.384 MHz, 32.768 MHz or 65.536 MHz), and reference clock source. Refer to Section 12.5 for programming details. Note that the reference clock source can be set to either the internal system clock or one of the three input clock signals. If one of the three input clock signals is selected as the reference source, the output clock cannot be programmed to generate a higher clock frequency than the reference source. As each output timing pair has its own bit settings, they can be set to provide different output timings. For 65.536 MHz output clock, the total loading on the output should not be larger than 10pF.

### 4.0 Output Channel Control

To be able to interface with external buffers, the output signals can be set to enter a high impedance or drive high state on a per-channel basis. The Per Channel Function (bits 31 - 29) in the Connection Memory Bits can be set to 001 to drive the channel output high, or to 000, 110 or 111, to set the channel into a high impedance state.

### 5.0 Data Input Delay and Data Output Advancement

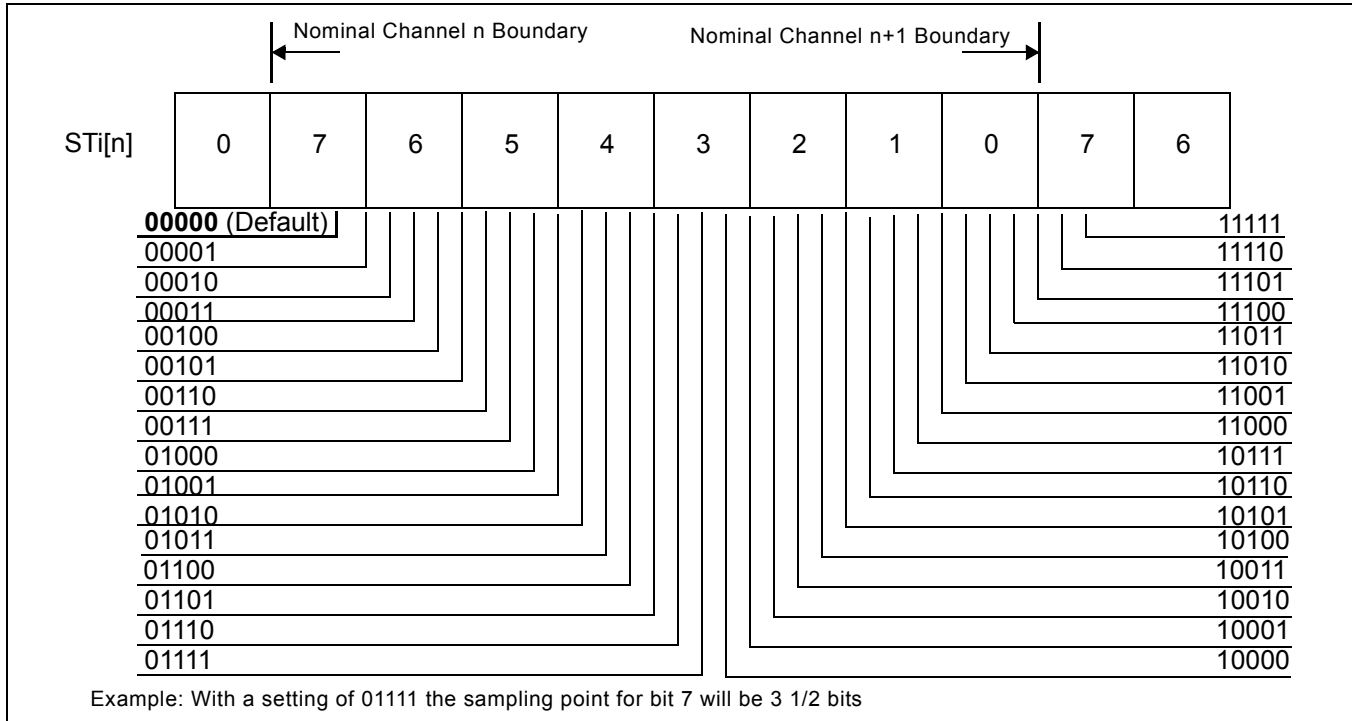
The Group Control Registers (GCR) are used to adjust the input delay and output advancement for each input and output data groups. Each group is independently programmed.

#### 5.1 Input Sampling Point Delay Programming

The input sampling point delay programming feature provides users with the flexibility of handling different wire delays when incoming traffic is from different sources.

By default, all input streams have zero delay, such that bit 7 is the first bit that appears after the input frame boundary (assuming ST-BUS formatting). The nominal input sampling point with zero delay is at the 3/4 bit time. The input delay is enabled by the Input Sample Point Delay (bit 8 - 4) in the Group Control Registers 0 - 31 (GCR0 - 31) as described in Section 12.3 on page 36. The input sampling point delay can range from 0 to 7 3/4 bit delay with a 1/4 bit resolution on a per group basis.





**Figure 2 - Input Sampling Point Delay Programming**

There are limitations when the ZL50074 is programmed to use  $\overline{\text{CKi2}} - 0$  as the input stream clock source as opposed to the internal clock:

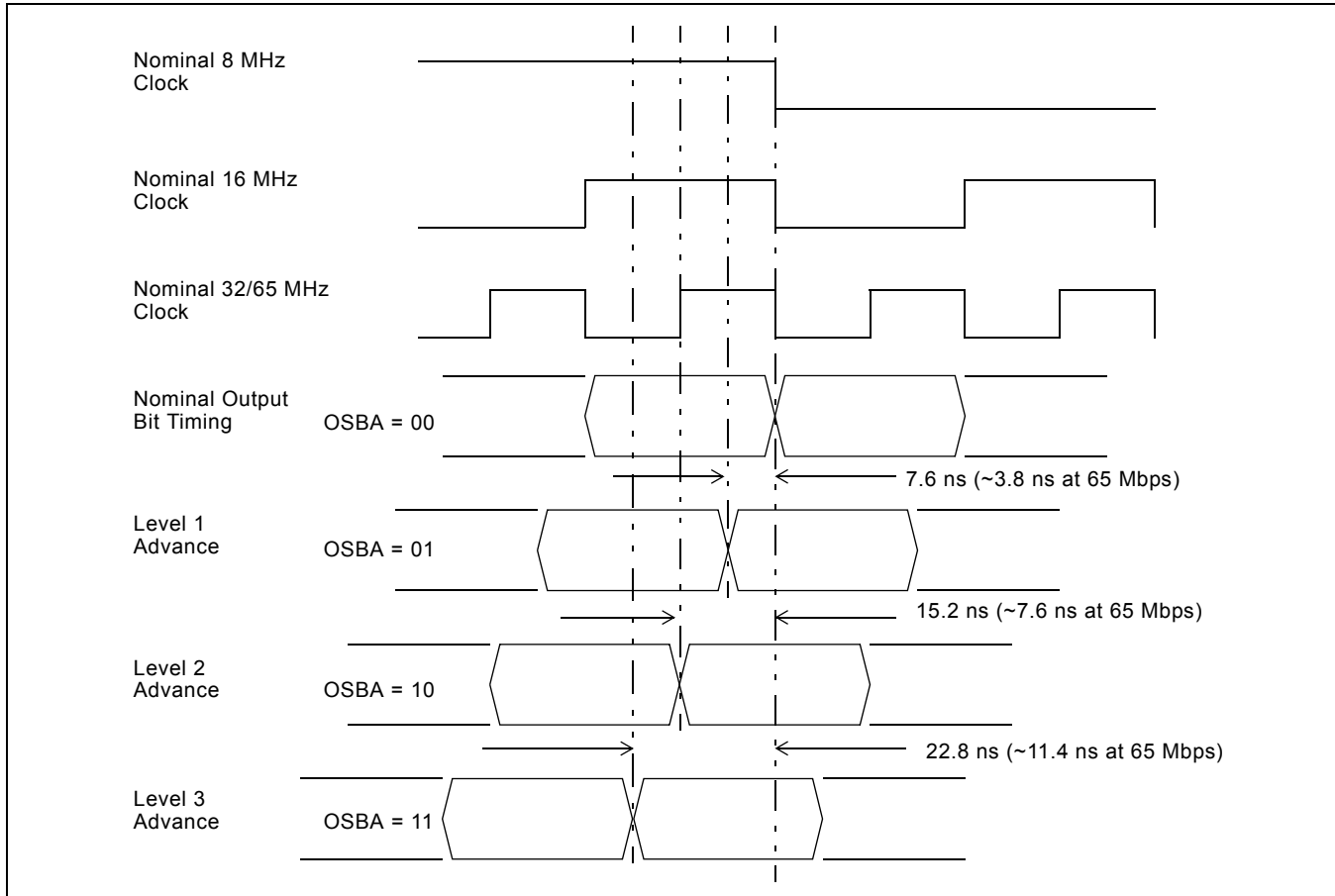
- The granularity of the delay becomes 1/2 the selected reference clock period, or 1/4 bit, whichever is longer.
- If the selected reference clock frequency is the same as the stream bit rate, the granularity of the delay is 1/2 bit. In this case, the least significant bit of the ISPD register is not used; the remaining 4 bits select the total delay in 1/2 bit increments, to a maximum of 7 1/2 bits. Also, the 0 bit delay reference point changes from the 3/4 bit position to the 1/2 bit position.

## 5.2 Fractional Bit Advancement on Output

See Section 12.3, Group Control Registers, for programming details.

This feature is used to advance the output data with respect to the output frame boundary. Each group has its own bit advancement value which can be programmed in the Group Control Registers 0 - 31 (GCR0 - 31).

By default all output streams have zero bit advancement such that bit 7 is the first bit that appears after the output frame boundary (assuming ST-BUS formatting). The output advancement is enabled by the Output Stream Bit Advancement (bits 21 - 20) of the Group Control Registers 0 - 31 (GCR0 - 31), as described in Section 12.3. The output delay can vary from 0 to 22.8 ns with a 7.6 ns increment. The exception to this is when the device is programmed at 65 Mbps, in which case the increment is 3.8 ns with a total advancement of 11.4 ns.



**Figure 3 - Output Bit Advancement Timing**

This programming feature is provided to assist in designs where per stream routing delays are significant and different.

The OSBA bits in the Group Control Registers are used to set the bit-advancement for each of the corresponding serial output stream groups. Figure 3 illustrates the effect of the OSBA settings on the output timing.

There are limitations when the ZL50074 is programmed to use  $\overline{CKi2} - 0$  as the output stream clock source:

- If the selected reference clock frequency is 65 MHz or 32 MHz, the granularity of the advancement is reduced to 1/2 the clock period.
- If the selected reference clock frequency is 16 MHz or 8 MHz, bit advancement is not available and the output streams are driven at the nominal times.

## 6.0 Message Mode

In Message Mode (MSG), microprocessor data can be broadcast to the output data streams on a per-channel basis. This feature is useful for transferring control and status information to external circuits or other TDM devices.

For a given output channel, when the corresponding Per Channel Function (bits 31 - 29) in the Connection Memory are set to Message Mode (010), the Connection Memory's lowest data byte (bits 7 - 0) is output in the timeslot. Refer to Section 12.1.1, Connection Memory Bit Functions, for programming details.

To increase programming bandwidth, the ZL50074 has separate addressable 32 bit memory locations, called Connection Memory Least Significant Bytes (LSB), which provide direct access to the Connection Memories' Lowest data bytes (bits 7 - 0). Up to four consecutive message mode channels can be set with one Connection Memory LSB access. Refer to Section 12.1.2, Connection Memory LSB, for programming details.

## 6.1 Data Memory Read

All TDM input channels can be read via the microprocessor port. This feature is useful for receiving control and status information from external circuits or other TDM devices. Each 32 bit Data Memory access enables up to four consecutive input channels to be monitored. The Data Memory field is read only; any attempt to write to this address range will result in a bus error condition signalled back to the host processor. Refer to Section 12.2, Data Memory, for programming details.

The latency of data reads is up to 3 frames, depending on when the input timeslots are sampled.

## 6.2 Connection Memory Block Programming

See Section 12.6, Block Init Register, and Section 12.7, Block Init Enable Register, for programming details.

This feature allows for fast initialization of the connection memory after power up. When the block programming mode is enabled, the contents of Block Init Register are written to all Connection Memory Bits. This operation completes in one 125  $\mu$ s frame. During Connection Memory initialization, all TDM output streams are set to high impedance.

## 7.0 Data Delay Through the Switching Paths

See Section 12.1.1, Connection Memory Bit Functions, for programming details.

The switching of information from the input serial streams to the output serial streams results in a throughput delay. The device can be programmed to perform timeslot interchange functions with different throughput delay capabilities on a per-channel basis. For voice applications, select variable throughput delay to ensure minimum delay between input and output data. In wideband data application, select constant delay to maintain the frame integrity of the information through the switch. The delay through the device varies according to the type of throughput delay selected by programming the Per Channel Function (bits 31 - 29) in the Connection Memories. When these bits are set to 011, the channel is in variable delay mode. When they are set to 100, the channel is in constant delay mode.

### 7.1 Constant Delay Mode

In this mode the frame integrity is maintained in all switching configurations. The delay through the switch is 2 frames - Input Channel + Output Channel. This can result in a minimum delay of 1 frame + 1 channel if the last channel of a stream is switched to the first channel of a stream. The maximum delay is 1 channel short of 3 frames delay. This occurs when the first channel of a stream is switched to the last channel of a stream.

The data throughput delay is expressed as a function of ST-BUS/GCI-Bus frames, input channel number (n) and output channel number (m). The data throughput delay (T) is:

$$T = 2 \text{ frames} + (n - m)$$

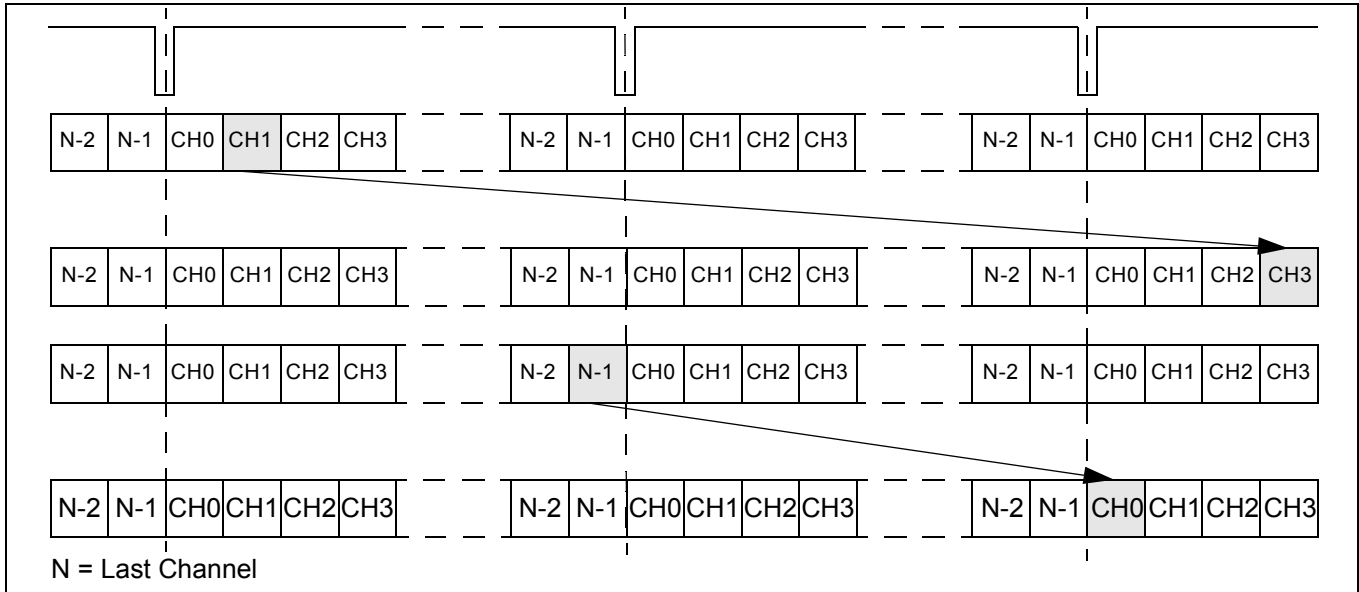


Figure 4 - Data Throughput Delay for Constant Delay

### 7.2 Variable Delay Mode

Variable delay mode causes the output channel to be transmitted as soon as possible. This is a useful mode for voice applications where the minimum throughput delay is more important than data integrity. The delay through the switch is minimum 3 channels and maximum 1 frame + 2 channels.

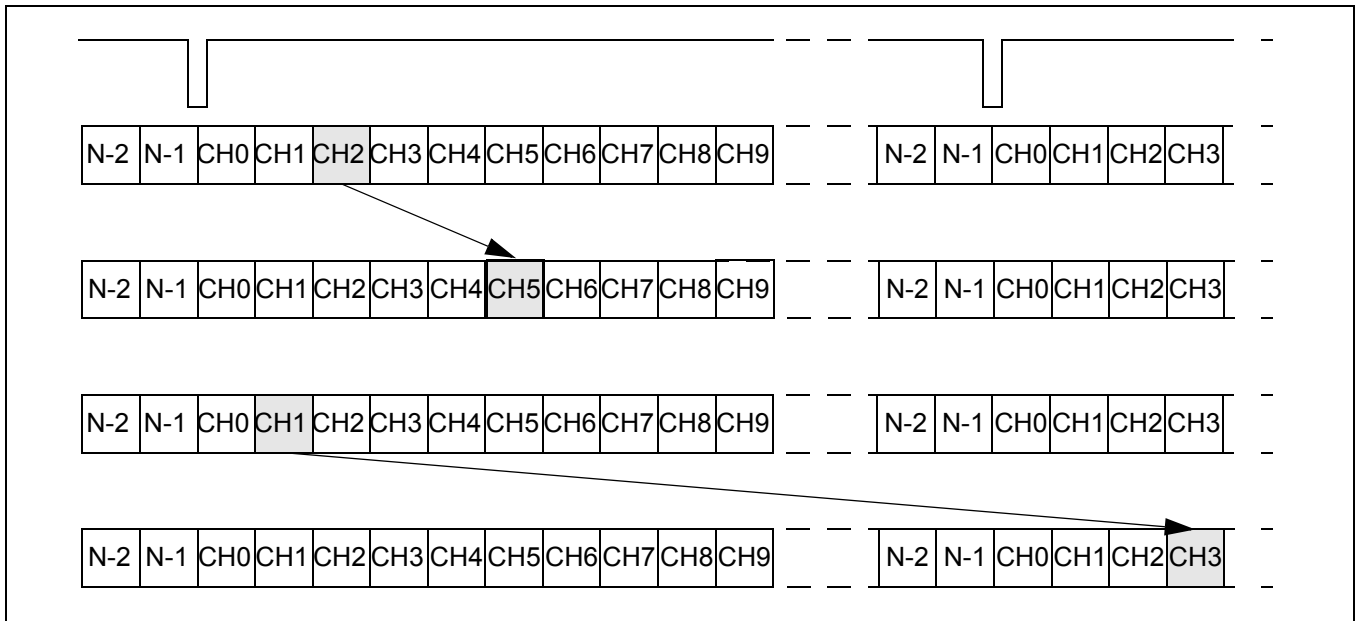


Figure 5 - Data Throughput Delay for Variable Delay

## 8.0 Microprocessor Port

The ZL50074 has a generic microprocessor port that provides access to the internal Data Memory (read access only), Connection Memory and Control Registers.

The port size can be configured to be either 32 bit or 16 bit, controlled by the D16B pin.

The port works with either Motorola or Intel type microprocessor buses, selected by the IM pin.

### 8.1 Addressing

The Data Memory, Connection Memory and Control Registers are assigned 32 bit fields in the ZL50074 memory space. The Address Bus, A18 - 0, controls access to each 32 bit location. Byte addressing is also provided to give the user programming flexibility, if access to less than 32 bits is required.

Each 32 bit memory or register location spans four consecutive addresses. Example:

- The 32 bit Group Control Register for TDM Group 0 is located at address range 40200 - 40203 Hex

The Least Significant address identifies the Most Significant Byte (MSB) in the 32 bit field, as illustrated in Table 4.

Address (Hex)	Memory/Register Bits
40200	Bits 31:24 (MSB)
40201	Bits 23:16
40202	Bits 15:8
40203	Bits 7:0 (LSB)

**Table 4 - Example of Address and Byte Significance**

### 8.2 32 Bit Bus Operation

In 32 bit mode (D16B = 0), all 32 bits of the Data Bus, D31 - 0, may be used for write and read transfers. D31 on the bus maps to Bit 31 of the internal memory or register, D30 maps to Bit 30, etc. The least significant address bits, A1 - 0, and the Data Transfer Size inputs, SIZ0 - 1, identify which bytes are being accessed.

In Motorola Bus mode (IM = 0), A1 - 0 identify the first byte in the 32 bit field to be transferred, as shown in Table 5. The SIZ0 - 1 inputs indicate the access transfer size, as shown in Table 6.

A1	A0	Byte Addressed
0	0	Bit 31:24
0	1	Bit 23:16
1	0	Bit 15:8
1	1	Bit 7:0

**Table 5 - 32 Bit Motorola Mode Byte Addressing**

For example, to transfer all 32 bits in a single access: A1 = 0, A0 = 0, SIZ1 = 0, SIZ0 = 0. To transfer D15 - 8 only: A1 = 1, A0 = 0, SIZ1 = 0, SIZ0 = 1.

SIZ1	SIZ0	Access Transfer Size
0	0	4 bytes
0	1	1 Byte
1	0	2 Bytes
1	1	3 Bytes

**Table 6 - 32 Bit Motorola Mode Access Transfer Size**

In Intel Bus Mode (IM = 1), A1 - 0, and SIZ1 - 0 form active low byte enable signals, consistent with BE3 - 0 available on the Intel i960 processor, as shown in Table 7.

Pin	Equivalent i960 Signal	Byte Addressed
A1	$\overline{\text{BE}}3$	Bit 31:24
A0	$\overline{\text{BE}}2$	Bit 23:16
SIZ1	$\overline{\text{BE}}1$	Bit 15:8
SIZ0	$\overline{\text{BE}}0$	Bit 7:0

**Table 7 - 32 Bit Intel Mode Bus Enable Signals**

Byte addressing applies only to write accesses. On read cycles, all 32 bits are output on every access.

### 8.3 16 Bit Bus Operation

In 16 bit mode (D16B = 1), D15 - 0 are used for data transfers to/from the ZL50074. D31 - 16 are unused and must be connected to a defined logic level. D15 on the bus maps to Bit 31 and Bit 15 of the internal 32 bit memory or register, D14 maps to Bit 30 and Bit 14, etc.

In 16 bit mode, the least significant address bit, A0, is not used, and must be connected to defined logic level. In this case, address bit A1 and the Data Transfer Size inputs, SIZ1 - 0, identify which bytes are being accessed.

In Motorola Bus Mode (IM = 0), SIZ1 - 0 form active low data strobe signals, consistent with  $\overline{UDS}$  and  $\overline{LDS}$  available on the MC68000 and MC68302 processors, as shown in Table 8.

In Intel Bus Mode (IM = 1), SIZ1 - 0 form active low byte enable signals, consistent with  $\overline{BE1}$  and  $\overline{BE0}$  available on the Intel i960 processor, as shown in Table 8.

Pin Name	Motorola Mode MC68000, MC68302 Equivalent Function IM = 0	Intel Mode i960 Equivalent Function IM = 1	Data Bus Bytes Enabled
SIZ1	$\overline{UDS}$	$\overline{BE1}$	D15-8
SIZ0	$\overline{LDS}$	$\overline{BE0}$	D7-0

**Table 8 - Byte Enable Signals**

In both Intel and Motorola modes, the A1 address input is used to identify the word alignment in internal memory.

A1 = 0      Bits 31:16

A1 = 1      Bits 15:0

16-bit word alignment are shown in Table 9. An example of byte addressing is given in Table 10.

Microprocessor 16 Bit Data Bus	SIZ1	SIZ0	A1	Internal 32-Bit Memory or Register
D15 - 8	0	1	0	Bits 31:24
	0	1	1	Bits 15:8
D7 - 0	1	0	0	Bits 23:16
	1	0	1	Bits 7:0
D15 - 0	0	0	0	Bits 31:16
	0	0	1	Bits 15:0
	1	1	X <sup>1</sup>	No access

**Table 9 - 16 Bit Mode Word Alignment**

1. X - Don't Care

Address (Hex)	Register Description	Register Byte	A18 - 0 (binary)	SIZ1	SIZ0	Comments
40200 or 40201	Group Control Register (Group 0)	Bits 23:16	100 0000 0010 0000 000X <sup>†</sup>	1	0	8 bit transfer
40282 or 40283	Input Clock Control Register	Bits 15:8	100 0000 0010 1000 001X <sup>†</sup>	0	1	8 bit transfer
40286 or 40287	Output Clock Control Register	Bits 15:0	100 0000 0010 1000 011X <sup>†</sup>	0	0	16 bit transfer
40284 or 40285	Output Clock Control Register	Bits 31:16	100 0000 0010 1000 010X <sup>†</sup>	0	0	16 bit transfer

Table 10 - 16 Bit Mode Example Byte Address

† Don't Care. A0 is not used

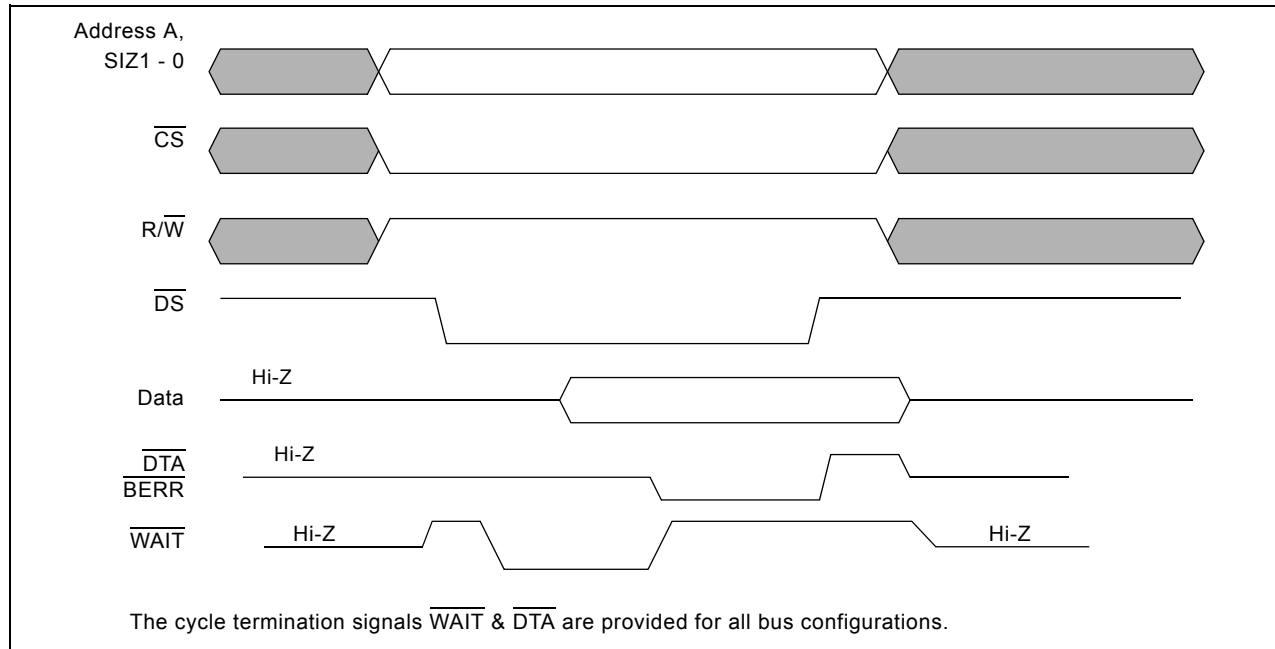
## 8.4 Bus Operation

### 8.4.1 Read Cycle

The operation of a read cycle is illustrated in Figure 6.

- The microprocessor asserts the  $\overline{R/\overline{W}}$  control signal high, to signal a read cycle. It also drives the address A, transfer size, SIZ1 - 0, and chip select logic drives the  $\overline{CS}$  signal active low to select the ZL50074.
- The microprocessor then drives the  $\overline{DS}$  signal active low, to signal the start of the bus cycle. The  $\overline{DS}$  signal is held low for the duration of the bus cycle.
- $\overline{WAIT}$  is asserted active low
- The ZL50074 accesses the requested memory or register location(s), and places the requested data onto the data bus, D31 - 0 (D15 - 0 in 16 bit Mode). All data bus pins are driven, whether or not they are being used for the specific data transfer. Unused pins will present unknown data. If the address is to an unused area of the memory space, unknown data is presented on the data bus.
- The ZL50074 then de-asserts  $\overline{WAIT}$ , and asserts either  $\overline{DTA}$  or  $\overline{BERR}$ , depending on the validity of the data transfer
- When the microprocessor observes the active low state of the  $\overline{DTA}$  or the  $\overline{BERR}$  signal or the low to high transition of the  $\overline{WAIT}$  signal, it terminates the bus cycle by driving the  $\overline{DS}$  pin inactive high
- When the ZL50074 sees the  $\overline{DS}$  signal go inactive high, it removes the assertions on the  $\overline{DTA}$  or  $\overline{BERR}$  signals by driving them inactive high
- When the ZL50074 sees the  $\overline{CS}$  signal go inactive high, it tri-states the data bus, D31 - 0 (D15 - 0 in 16 bit Mode) and the  $\overline{DTA}$ ,  $\overline{BERR}$  and  $\overline{WAIT}$  signals. However, if  $\overline{CS}$  goes inactive high before  $\overline{DS}$  goes inactive high, the  $\overline{DTA}$ ,  $\overline{BERR}$  and  $\overline{WAIT}$  signals are driven inactive high before they are tri-stated.
- In Intel mode,  $\overline{DTA}$  is always driven to signal the end of a bus cycle, regardless of  $\overline{BERR}$



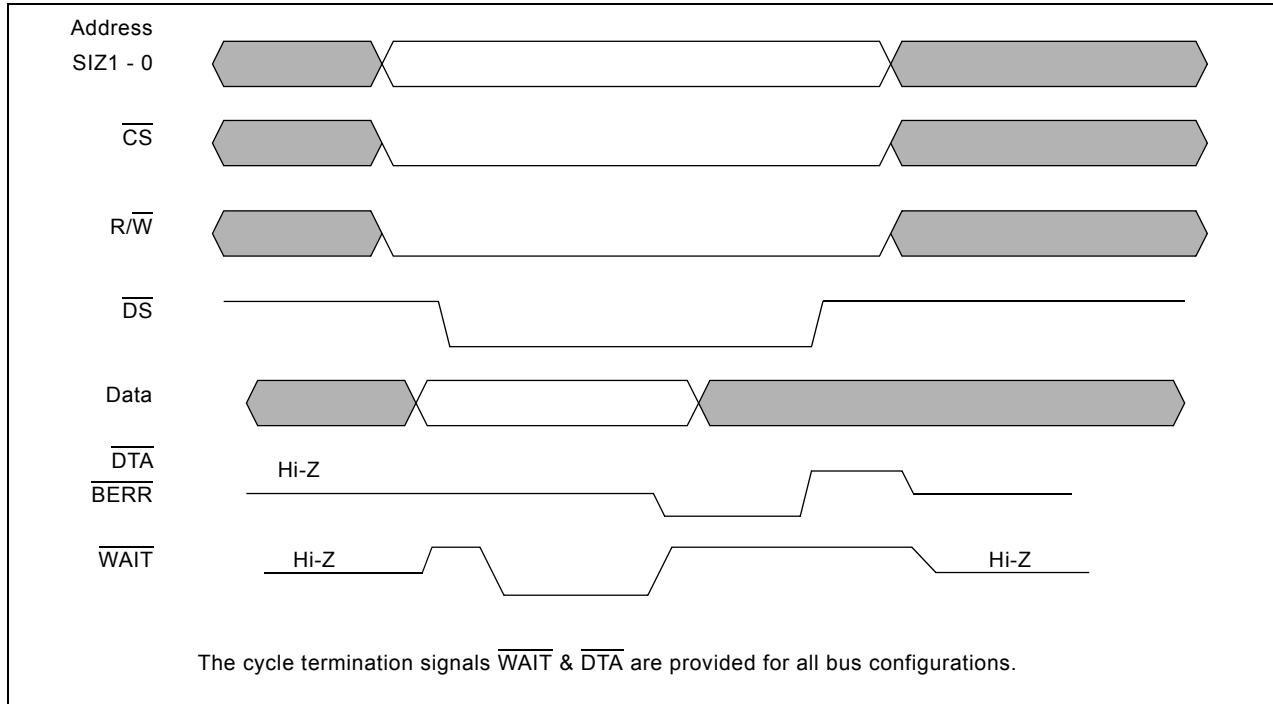


**Figure 6 - Read Cycle Operation**

### 8.4.2 Write Cycle

The operation of the write cycle is illustrated in Figure 7.

- The microprocessor asserts the  $\overline{\text{R/W}}$  control signal low, to signal a write cycle. It also drives the address A, data transfer size, SIZ1 - 0, and chip select logic drives the CS signal active low to select the ZL50074
- The microprocessor then drives the data bus, D31 - 0 (D15 - 0 in 16 bit Mode) with the data to be written, and then drives the  $\overline{\text{DS}}$  signal active low, to signal the start of the bus cycle. The DS signal is held low for the duration of the bus cycle
- $\overline{\text{WAIT}}$  is asserted active low
- The ZL50074 transfers the data presented on the data bus pins into the indicated memory or register location(s). If the address is to an unused area of the memory space, or to the data memory, no data is transferred. The microprocessor port cannot write to the Data Memory.
- The ZL50074 then de-asserts  $\overline{\text{WAIT}}$ , and asserts either  $\overline{\text{DTA}}$  or  $\overline{\text{BERR}}$ , depending on the validity of the data transfer
- When the microprocessor observes the active low state of the  $\overline{\text{DTA}}$  or the  $\overline{\text{BERR}}$  signal or the low-to-high transition of the  $\overline{\text{WAIT}}$  signal, it terminates the bus cycle by driving the DS pin inactive high
- When the ZL50074 sees the  $\overline{\text{DS}}$  signal go inactive high, it removes the assertions on the  $\overline{\text{DTA}}$  or  $\overline{\text{BERR}}$  signals by driving them inactive high
- When the ZL50074 sees the  $\overline{\text{CS}}$  signal go inactive high, it tri-states the  $\overline{\text{DTA}}$ ,  $\overline{\text{BERR}}$  and  $\overline{\text{WAIT}}$  signals. However, if CS goes inactive high before DS goes inactive high, the DTA, BERR and WAIT signals are driven inactive high before they are tri-stated.
- In Intel mode,  $\overline{\text{DTA}}$  is always driven to signal the end of a bus cycle, regardless of  $\overline{\text{BERR}}$



**Figure 7 - Write Cycle Operation**

## 9.0 Power-up and Initialization of the ZL50074

### 9.1 Device Reset and Initialization

The  $\overline{\text{PWR}}$  pin is used to reset the ZL50074. When this pin is low, the following functions are performed:

- Asynchronously puts the microprocessor port in a reset state
- Tristates all of the output streams (SToA0 - 31, SToB0 - 31, SToC0 - 31, SToD0 - 31)
- Preloads all of the registers with their default values (refer to the individual registers for default values)
- Clears all internal counters

### 9.2 Power Supply Sequencing

The ZL50074 has two separate power supplies:  $V_{\text{DD\_IO}}$  (3.3 V) and  $V_{\text{DD\_CORE}}$  (1.8 V). The recommended power-up sequence is for  $V_{\text{DD\_IO}}$  to be applied first, followed by the  $V_{\text{DD\_CORE}}$  supply.  $V_{\text{DD\_CORE}}$  should not lead  $V_{\text{DD\_IO}}$  supply by more than 0.3 V. Both supplies may be powered-down simultaneously.

### 9.3 Initialization

Upon power up, the ZL50074 should be initialized as follows:

- Assert  $\overline{\text{PWR}}$  to low immediately after power is applied
- Set the  $\overline{\text{TRST}}$  pin low to disable the JTAG TAP controller
- Deassert the  $\overline{\text{PWR}}$  pin.
- Apply the Master Clock Input ( $\overline{\text{CKi0}}$ ) and Master Frame Pulse Input ( $\overline{\text{FPi0}}$ ) to the values defined by the CK\_SEL1 - 0 pins
- Set the ODE pin low to disable the output streams

**Note:** After the  $\overline{\text{PWR}}$  reset is removed, and on the application of a suitable master clock input, it takes approximately 1ms for the internal initialization to complete

- Automatic block initialization of the Connection Memory to all zeros occurs, without microprocessor intervention
- All Group Control Registers are preset to 000C000C<sub>H</sub>, corresponding to no link inversions, no fractional output bit advancements, internal clock source, and no input sample point delays
- The Input Clock Control Register is preset to 0DB<sub>H</sub>, corresponding to:
  - All clock inputs set to negative logic sense
  - All frame pulse inputs set to negative logic sense
  - All input frame pulses set to ST-BUS timing
- The Output Clock Control Register is pre-set to 060D1C3C<sub>H</sub>, corresponding to:
  - All clock outputs set to negative logic sense
  - All frame pulse outputs set to negative logic sense
  - All output frame pulses set to ST-BUS timing
  - All output clock source selections to internal
  - Clock outputs,  $\overline{\text{CKo0}}$  - 3 are preset to rates of 65 MHz, 32 MHz, 16 MHz and 8 MHz, respectively
- Global Rate Control Register is set to 00, corresponding to a bit rate of 8 Mbps

**Note:** If the master clock input,  $\overline{\text{CKi0}}$ , is not available, the microprocessor port will assert  $\overline{\text{BERR}}$  on all accesses and read cycles.

## 10.0 IEEE 1149.1 Test Access Port

The JTAG test port is implemented to meet the mandatory requirements of the IEEE 1149.1 (JTAG) standard. The operation of the boundary-scan circuitry is controlled by an external Test Access Port (TAP) Controller.

The ZL50074 uses the public instructions defined in IEEE 1149.1, with the provision of a 16-bit Instruction Register, and three scannable Test Data Registers: Boundary Scan Register, Bypass Register and Device Identification Register.

### 10.1 Test Access Port (TAP)

The Test Access Port (TAP) accesses the ZL50074 test functions. The interface consists of 4 input and 1 output signal. as follows:

- **Test Clock (TCK)** - TCK provides the clock for the test logic. The TCK does not interfere with any on-chip clock and thus remains independent in the functional mode. The TCK permits shifting of test data into or out of the Boundary-Scan register cells concurrently with the operation of the device and without interfering with the on-chip logic.
- **Test Mode Select (TMS)** - The TAP Controller uses the logic signals received at the TMS input to control test operations. The TMS signals are sampled at the rising edge of the TCK pulse. This pin is internally pulled to  $V_{\text{DD\_IO}}$  when it is not driven from an external source.
- **Test Data Input (TDi)** - Serial input data applied to this port is fed either into the instruction register or into a test data register, depending on the sequence previously applied to the TMS input. Both registers are described in a subsequent section. The received input data is sampled at the rising edge of TCK pulses. This pin is internally pulled to  $V_{\text{DD\_IO}}$  when it is not driven from an external source.

- **Test Data Output (TDo)** - Depending on the sequence previously applied to the TMS input, the contents of either the instruction register or data register are serially shifted out towards the TDo. The data out of the TDo is clocked on the falling edge of the TCK pulses. When no data is shifted through the boundary scan cells, the TDo driver is set to a high impedance state.
- **Test Reset ( $\overline{\text{TRST}}$ )** - Resets the JTAG scan structure. This pin is internally pulled to  $V_{DD\_IO}$  when it is not driven from an external source. When JTAG is not in use, this pin must be tied low for normal operation.

The TAP signals are only applied when the ZL50074 is required to be in test mode. When in normal, non-test mode,  $\overline{\text{TRST}}$  must be connected low to disable the test logic. The remaining test pins may be left unconnected.

## 10.2 Instruction Register

The ZL50074 uses the public instructions defined in the IEEE 1149.1 standard. The JTAG interface contains a 16-bit instruction register. Instructions are serially loaded into the instruction register from the TDi when the TAP controller is in its shifted-OR state. These instructions are subsequently decoded to achieve two basic functions: to select the test data register that may operate while the instruction is current and to define the serial test data register path that is used to shift data between TDi and TDo during register scanning.

## 10.3 Test Data Register

As specified in the IEEE 1149.1 standard, the ZL50074 JTAG Interface contains three test data registers:

- **The Boundary-Scan Register** - The Boundary-Scan register consists of a series of Boundary-Scan cells arranged to form a scan path around the boundary of the ZL50074 core logic
- **The Bypass Register** - The Bypass register is a single stage shift register that provides a one-bit path from TDi to TDo
- **The Device Identification Register** - The JTAG device ID for the ZL50074 is C39A14B<sub>H</sub>

Version	<31:28>	0000
Part Number	<27:12>	1100 0011 1001 1010
Manufacturer ID	<11:1>	0001 0100 101
LSB	<0>	1

## 10.4 Boundary Scan Description Language (BSDL)

A Boundary Scan Description Language (BSDL) file is available from Zarlink Semiconductor to aid in the use of the IEEE 1149.1 test interface.

## 11.0 Memory Map of ZL50074

The memory map for the ZL50074 is given in Table 11.

Address (Hex)	Description
00000 - 1FFFF	Connection Memory
20000 - 27FFF	Connection Memory LSB
28000 - 2FFFF	Data Memory: Read only; Bus error on write (BERR)
30000 - 401FF	Invalid Address. Access causes Bus error (BERR)
40200 - 4027F	Group Control Registers
40280 - 40283	Input Clock Control Register
40284 - 40287	Output Clock Control Register
40288 - 4028B	Block Init Register
4028C - 4028F	Block Init Enable
40290 - 40293	Global Rate Control Register
40294 - 7FFFF	Invalid Address. Access causes Bus error (BERR)

**Table 11 - Memory Map**

## 12.0 Detailed Memory and Register Descriptions

This section describes all the memories and registers that are used in this device.

### 12.1 Connection Memory

Address range 00000 - 1FFFF hex.

On power-up, all Connection Memory locations are initialized automatically to 00000000<sub>H</sub>, using the Block Initialization feature, as described in Section 12.6 and Section 12.7.

The 32 bit Connection Memory has 32,768 locations. Each 32 bit long-word is used to program the desired source data and any other per-channel characteristics of one output time-slot.

The memory map for the Connection Memory is sub-divided into 32 blocks, each corresponding to one of the possible 32 output stream group numbers. The address ranges for these blocks are illustrated in Table 12.

Output Group	Start Address (Hex)	Address Range (Hex)	Output Group	Start Address (Hex)	Address Range (Hex)
0	000000	000000 - 000FFF	16	010000	010000 - 010FFF
1	001000	001000 - 001FFF	17	011000	011000 - 011FFF
2	002000	002000 - 002FFF	18	012000	012000 - 012FFF
3	003000	003000 - 003FFF	19	013000	013000 - 013FFF
4	004000	004000 - 004FFF	20	014000	014000 - 014FFF
5	005000	005000 - 005FFF	21	015000	015000 - 015FFF
6	006000	006000 - 006FFF	22	016000	016000 - 016FFF
7	007000	007000 - 007FFF	23	017000	017000 - 017FFF
8	008000	008000 - 008FFF	24	018000	018000 - 018FFF
9	009000	009000 - 009FFF	25	019000	019000 - 019FFF
10	00A000	00A000 - 00AFFF	26	01A000	01A000 - 01AFFF
11	00B000	00B000 - 00BFFF	27	01B000	01B000 - 01BFFF
12	00C000	00C000 - 00CFFF	28	01C000	01C000 - 01CFFF
13	00D000	00D000 - 00DFFF	29	01D000	01D000 - 01DFFF
14	00E000	00E000 - 00EFFF	30	01E000	01E000 - 01EFFF
15	00F000	00F000 - 00FFFF	31	01F000	01F000 - 01FFFF

**Table 12 - Connection Memory Group Address Mapping**

The mapping of each output stream, *SToAn*, *SToBn*, *SToCn* and *SToDn*, depends on the programmed bit rate in the Global Rate Control Register. The address offset range for each stream is illustrated in Table 13.

Device Data Rate	Timeslot Range	Output Stream	Stream Address Offset Range (Hex)
65 Mbps	0 - 1023	<i>SToAn</i>	00000 - 00FFF
		<i>SToBn, Cn, Dn</i>	N/A
32 Mbps	0 - 511	<i>SToAn</i>	00000 - 007FF
		<i>SToBn</i>	00800 - 00FFF
		<i>SToCn, Dn</i>	N/A
16 Mbps	0 - 255	<i>SToAn</i>	00000 - 003FF
		<i>SToBn</i>	00400 - 007FF
		<i>SToCn</i>	00800 - 00BFF
		<i>SToDn</i>	00C00 - 00FFF
8 Mbps	0 - 127	<i>SToAn</i>	00000 - 001FF
		<i>SToBn</i>	00200 - 003FF
		<i>SToCn</i>	00400 - 005FF
		<i>SToDn</i>	00600 - 007FF
	N/A	BERR	00800 - 00FFF

**Table 13 - Connection Memory Stream Address Offset at Various Output Rates**

The address range for a particular stream is given by adding the group start address, as indicated in Table 12, to the appropriate stream offset range, as indicated in Table 13. For example, the Connection Memory address range for SToB12 operating at 32 Mbps is 00C800-00CFFF; the Connection Memory address range for SToC4 operating at 8 Mbps is 004400-0045FF.

Each output channel timeslot occupies a range of 4 addresses in the Connection Memories. The timeslot address offset is illustrated in Table 14. It shows the maximum number of timeslots that a stream can have, but the actual number of timeslots available depends on the output data rates, as illustrated in Table 1 and Table 13.

Timeslot				Address Offset hex
SToAn	SToBn	SToCn	SToDn	
0	0	0	0	000
1	1	1	1	004
2	2	2	2	008
-	-	-	-	-
126	126	126	126	1F8
127	127	127	127	1FC
128	128	128	128	200
129	129	129	129	204
-	-	-	-	-
254	254	254	254	3F8
255	255	255	255	3FC
256	256			400
257	257			404
-	-	-	-	-
510	510			7F8
511	511			7FC
512				800
513				804
-				-
1021				FF4
1022				FF8
1023				FFC

**Table 14 - Connection Memory Timeslot Address Offset Range**

### 12.1.1 Connection Memory Bit Functions

The bit functions of the connection memory are illustrated in Table 15.

External Read/Write Address: 000000 <sub>H</sub> Reset Value: 0000 <sub>H</sub>															
31	30	29	28	27	26	25	24	23	22	21	20	19	18	17	16
PCF 2	PCF 1	PCF 0	0	0	0	0	0	0	0	0	0	0	0	0	0
15	14	13	12	11	10	9	8	7	6	5	4	3	2	1	0
0	GP 4	GP 3	GP 2	GP 1	GP 0	STCH 9	STCH 8	STCH 7	STCH 6	STCH 5	STCH 4	STCH 3	STCH 2	STCH 1	STCH 0

Bit	Name	Description																											
31 - 29	PCF2 - 0	<p><b>Per Channel Function</b></p> <table border="1"> <thead> <tr> <th>PCF2 - 0</th><th>Function</th><th>Description</th></tr> </thead> <tbody> <tr> <td>000</td><td>OT</td><td>Output is tri-stated</td></tr> <tr> <td>001</td><td>FH</td><td>Output drives high always</td></tr> <tr> <td>010</td><td>MSG</td><td>Output is in message mode</td></tr> <tr> <td>011</td><td>VAR</td><td>Variable delay connection mode</td></tr> <tr> <td>100</td><td>CD</td><td>Constant delay connection mode</td></tr> <tr> <td>101</td><td>RESERVED</td><td>Reserved. Do not use.</td></tr> <tr> <td>110</td><td>OT</td><td>Output is tri-stated</td></tr> <tr> <td>111</td><td>OT</td><td>Output is tri-stated</td></tr> </tbody> </table>	PCF2 - 0	Function	Description	000	OT	Output is tri-stated	001	FH	Output drives high always	010	MSG	Output is in message mode	011	VAR	Variable delay connection mode	100	CD	Constant delay connection mode	101	RESERVED	Reserved. Do not use.	110	OT	Output is tri-stated	111	OT	Output is tri-stated
PCF2 - 0	Function	Description																											
000	OT	Output is tri-stated																											
001	FH	Output drives high always																											
010	MSG	Output is in message mode																											
011	VAR	Variable delay connection mode																											
100	CD	Constant delay connection mode																											
101	RESERVED	Reserved. Do not use.																											
110	OT	Output is tri-stated																											
111	OT	Output is tri-stated																											
28 - 15	Unused	<b>Reserved.</b> In normal functional mode, these bits <b>MUST</b> be set to zero.																											
14 - 10	GP4 - 0	<b>Source Group Selection.</b> These bits define the input/source group number (31 - 0).																											
9 - 0	STCH 9 - 0	<p><b>Source Stream and Channel Selection / Message Mode Data</b></p> <p>In connection mode (constant/variable delay), these bits define the input/source stream and channel number, depending on the data rate.</p> <p>For 65.536 Mbps, bits 9 - 0 select the input channel (0 - 1023).</p> <p>For 32.768 Mbps, bits 9 - 1 select the input channel (0 - 511). Bit 0 selects stream STiA (0) or STiB (1)</p> <p>For 16.869 Mbps, bits 9 - 2 select the input channel (0 - 255). Bits 1 - 0 select stream STiA (00), STiB (01), STiC (10), or STiD (11)</p> <p>For 8.192 Mbps, bits 9 - 3 select the input channel (0 - 127). Bit 2 <b>MUST</b> be set to 0. Bits 1 - 0 select stream STiA (00), STiB (01), STiC (10), or STiD (11).</p> <p>In message mode, bits 7 - 0 define the output data. The data is output sequentially with bit 7 being output first. Bits 9 - 8 are not used.</p>																											

**Table 15 - Connection Memory Bits (CMB)**



### 12.1.2 Connection Memory LSB

The Connection Memory Least Significant Byte field is provided to give a convenient alternative way to modify the output data for a stream in message mode. In this memory address range, all of the connection memory least significant bytes (bits 7 - 0) are available for read/write in consecutive address locations. This feature is provided for programming convenience. It can allow higher programming bandwidth on message mode streams. For example, one longword access to this memory space can read or set the message bytes in four consecutive connection memory locations. Access to this memory space is big-endian, with the most significant bytes on the data bus accessing the lower address of the connection memory. For example, for 32-bit data bus, to access the Connection Memory LSB associated with channels 3 - 0 on a particular stream, the data bus D31 - 24 carry data for channel 0, D23 - 16 carry data for channel 1, D15 - 8 carry data for channel 2, and D7 - 0 carry data for channel 3. Addressing into each of the streams is illustrated in Table 16.

Output Group	Start Address (Hex)	Address Range (Hex)	Output Group	Start Address (Hex)	Address Range (Hex)
0	020000	020000 - 0203FF	16	024000	024000 - 0243FF
1	020400	020400 - 0207FF	17	024400	024400 - 0247FF
2	020800	020800 - 020BFF	18	024800	024800 - 024BFF
3	020C00	020C00 - 020FFF	19	024C00	024C00 - 024FFF
4	021000	021000 - 0213FF	20	025000	025000 - 0253FF
5	021400	021400 - 0217FF	21	025400	025400 - 0257FF
6	021800	021800 - 021BFF	22	025800	025800 - 025BFF
7	021C00	021C00 - 021FFF	23	025C00	025C00 - 025FFF
8	022000	022000 - 0223FF	24	026000	026000 - 0263FF
9	022400	022400 - 0227FF	25	026400	026400 - 0267FF
10	022800	022800 - 022BFF	26	026800	026800 - 026BFF
11	022C00	022C00 - 022FFF	27	026C00	026C00 - 026FFF
12	023000	023000 - 0233FF	28	027000	027000 - 0273FF
13	023400	023400 - 0237FF	29	027400	027400 - 0277FF
14	023800	023800 - 023BFF	30	027800	027800 - 027BFF
15	023C00	023C00 - 023FFF	31	027C00	027C00 - 027FFF

**Table 16 - Connection Memory LSB Group Address Mapping**

Device Data Rate	Timeslot Range	Output Stream	Stream Address Offset Range (Hex)
65 Mbps	0 - 1023	SToAn	00000 - 003FF
		SToBn, Cn, Dn	N/A
32 Mbps	0 - 511	SToAn	00000 - 001FF
		SToBn	00200 - 003FF
		SToCn, Dn	N/A
16 Mbps	0 - 255	SToAn	00000 - 000FF
		SToBn	00100 - 001FF
		SToCn	00200 - 002FF
		SToDn	00300 - 003FF
8 Mbps	0 - 127	SToAn	00000 - 0007F
		SToBn	00080 - 000FF
		SToCn	00100 - 0017F
		SToDn	00180 - 001FF
	N/A	BERR	00200 - 003FF

**Table 17 - Connection Memory LSB Stream Address Offset at Various Output Rates**

Within each stream group, the mapping of each of the actual output streams, SToAn, SToBn, SToCn and SToDn, depends on the device data rate programmed into the Global Rate Control Register. The address offsets to these control areas for each of the output streams are illustrated in Table 17.

## 12.2 Data Memory

The data memory field is a read only address range used to monitor the data being received by the input streams. Addressing into each of the streams is illustrated in Table 18.

Input Group	Start Address (Hex)	Address Range (Hex)	Input Group	Start Address (Hex)	Address Range (Hex)
0	028000	028000 - 0283FF	16	02C000	02C000 - 02C3FF
1	028400	028400 - 0287FF	17	02C400	02C400 - 02C7FF
2	028800	028800 - 028BFF	18	02C800	02C800 - 02CBFF
3	028C00	028C00 - 028FFF	19	02CC00	02CC00 - 02CFFF
4	029000	029000 - 0293FF	20	02D000	02D000 - 02D3FF
5	029400	029400 - 0297FF	21	02D400	02D400 - 02D7FF
6	029800	029800 - 029BFF	22	02D800	02D800 - 02DBFF
7	029C00	029C00 - 029FFF	23	02DC00	02DC00 - 02DFFF
8	02A000	02A000 - 02A3FF	24	02E000	02E000 - 02E3FF
9	02A400	02A400 - 02A7FF	25	02E400	02E400 - 02E7FF
10	02A800	02A800 - 02ABFF	26	02E800	02E800 - 02EBFF
11	02AC00	02AC00 - 02AFFF	27	02EC00	02EC00 - 02EFFF

**Table 18 - Data Memory Group Address Mapping**

Input Group	Start Address (Hex)	Address Range (Hex)	Input Group	Start Address (Hex)	Address Range (Hex)
12	02B000	02B000 - 02B3FF	28	02F000	02F000 - 02F3FF
13	02B400	02B400 - 02B7FF	29	02F400	02F400 - 02F7FF
14	02B800	02B800 - 02BBFF	30	02F800	02F800 - 02FBFF
15	02BC00	02BC00 - 02BFFF	31	02FC00	02FC00 - 02FFFF

**Table 18 - Data Memory Group Address Mapping (continued)**

Within each stream group, the mapping of each of the actual input streams,  $STiAn$ ,  $STiBn$ ,  $STiCn$  and  $STiDn$ , depends on the device data rate programmed into the Global Rate Control Register. The address offsets to these data areas for each of the input streams are illustrated in Table 19.

Device Data Rate	Time-slot Range	Output Streams	Address Offset Range (Hex)
65 Mbps	0 - 1023	$STiAn$	00000 - 003FF
		$STiBn, Cn, Dn$	N/A
32 Mbps	0 - 511	$STiAn$	00000 - 001FF
		$STiBn$	00200 - 003FF
		$STiCn, Dn$	N/A
16 Mbps	0 - 255	$STiAn$	00000 - 000FF
		$STiBn$	00100 - 001FF
		$STiCn$	00200 - 002FF
		$STiDn$	00300 - 003FF
8 Mbps	0 - 127	$STiAn$	00000 - 0007F
		$STiBn$	00080 - 000FF
		$STiCn$	00100 - 0017F
		$STiDn$	00180 - 001FF
	N/A	$\overline{BERR}$	00200 - 003FF

**Table 19 - Data Memory Stream Address Offset at Various Output Rates**

The address ranges for the data memory portion corresponding to each of the actual input streams,  $STiAn$ ,  $STiBn$ ,  $STiCn$  and  $STiDn$ , for any particular input group number is calculated by adding the Start Address for the particular group, as indicated in Table 18, to the appropriate Address Offset Range, as indicated in Table 19. The time-slots map linearly into the appropriate address offset range. (i.e., timeslots 0, 1, 2, ... map into addresses 00000, 00001, 00002, ...)

The entire data memory is a read only structure. Any write attempts will result in a bus error.  $\overline{BERR}$  is driven active low to terminate the bus cycle.

### 12.3 Group Control Registers

The ZL50074 addresses the issues of a simple programming model and automatic stream configuration by defining a basic switching bit rate of 65.536 Mbps and by grouping the I/O streams. Each TDM I/O group contains 4 input and 4 output streams. The 4 input streams in the same group have identical input characteristics, and similarly, the 4 output streams in the same group have identical output characteristics. However, input and output streams in the same group can have different input and output operation characteristics.

The Group Control Registers are provided for setting the operating characteristics of the TDM input and output streams. All of the Group Control Registers are mapped long-word aligned on 32 bit boundaries in the memory space. Each of the 32 registers is used to control one group. The mapping of the Group Control Registers to the I/O group numbers is illustrated in Table 20. The bit functions of each of the Group Control Registers are illustrated in Table 21.

TDM Group	Group Control Register Address (Hex)
0	40200-40203
1	40204-40207
2	40208-4020B
3	4020C-4020F
:	:
:	:
29	40274-40277
30	40278-4027B
31	4027C-4027F

**Table 20 - Group Control Register Addressing**

External Read/Write Address: 40200 <sub>H</sub> - 4027F <sub>H</sub> Reset Value: 000C000C <sub>H</sub>															
31	30	29	28	27	26	25	24	23	22	21	20	19	18	17	16
0	0	0	0	0	0	0	0	0	OSI	OSBA 1	OSBA 0	1	1	OSSRC 1	OSSRC 0
15	14	13	12	11	10	9	8	7	6	5	4	3	2	1	0
0	0	0	0	0	0	ISI	ISPD 4	ISPD 3	ISPD 2	ISPD 1	ISPD 0	1	1	ISSRC 1	ISSRC 0
Bit	Name	Description													
31 - 23	Unused	<b>Reserved.</b> In normal functional mode, these bits <b>MUST</b> be set to zero.													
22	OSI	<b>Output Stream Inversion</b> For normal operation, this bit is set low. To invert the output stream, set this bit high.													

**Table 21 - Group Control Register**

External Read/Write Address: 40200 <sub>H</sub> - 4027F <sub>H</sub> Reset Value: 000C000C <sub>H</sub>															
31	30	29	28	27	26	25	24	23	22	21	20	19	18	17	16
0	0	0	0	0	0	0	0	0	OSI	OSBA 1	OSBA 0	1	1	OSSRC 1	OSSRC 0
15	14	13	12	11	10	9	8	7	6	5	4	3	2	1	0
0	0	0	0	0	0	ISI	ISPD 4	ISPD 3	ISPD 2	ISPD 1	ISPD 0	1	1	ISSRC 1	ISSRC 0

Bit	Name	Description															
21 - 20	OSBA1 - 0	<b>Output Stream Bit Advancement</b> <table border="1"> <thead> <tr> <th>OSBA1 - 0</th><th>Non-65 Mbps</th><th>65 Mbps</th></tr> </thead> <tbody> <tr> <td>00</td><td>0 ns</td><td>0 ns</td></tr> <tr> <td>01</td><td>7.6 ns</td><td>3.8 ns</td></tr> <tr> <td>10</td><td>15.2 ns</td><td>7.6 ns</td></tr> <tr> <td>11</td><td>22.8 ns</td><td>11.4 ns</td></tr> </tbody> </table>	OSBA1 - 0	Non-65 Mbps	65 Mbps	00	0 ns	0 ns	01	7.6 ns	3.8 ns	10	15.2 ns	7.6 ns	11	22.8 ns	11.4 ns
OSBA1 - 0	Non-65 Mbps	65 Mbps															
00	0 ns	0 ns															
01	7.6 ns	3.8 ns															
10	15.2 ns	7.6 ns															
11	22.8 ns	11.4 ns															
19 - 18	Unused	<b>Reserved.</b> In normal functional mode, these bits <b>MUST</b> be set to 11.															
17 - 16	OSSRC1 - 0	<b>Output Stream Clock Source Select</b> <table border="1"> <thead> <tr> <th>OSSRC1 - 0</th><th>Output Timing Source</th></tr> </thead> <tbody> <tr> <td>00</td><td>Internal System Clock</td></tr> <tr> <td>01</td><td><math>\overline{\text{CKi0}}</math> and <math>\overline{\text{FPI0}}</math></td></tr> <tr> <td>10</td><td><math>\overline{\text{CKi1}}</math> and <math>\overline{\text{FPI1}}</math></td></tr> <tr> <td>11</td><td><math>\overline{\text{CKi2}}</math> and <math>\overline{\text{FPI2}}</math></td></tr> </tbody> </table>	OSSRC1 - 0	Output Timing Source	00	Internal System Clock	01	$\overline{\text{CKi0}}$ and $\overline{\text{FPI0}}$	10	$\overline{\text{CKi1}}$ and $\overline{\text{FPI1}}$	11	$\overline{\text{CKi2}}$ and $\overline{\text{FPI2}}$					
OSSRC1 - 0	Output Timing Source																
00	Internal System Clock																
01	$\overline{\text{CKi0}}$ and $\overline{\text{FPI0}}$																
10	$\overline{\text{CKi1}}$ and $\overline{\text{FPI1}}$																
11	$\overline{\text{CKi2}}$ and $\overline{\text{FPI2}}$																
15 - 10	Unused	<b>Reserved.</b> In normal functional mode, these bits <b>MUST</b> be set to zero.															
9	ISI	<b>Input Stream Inversion</b> For normal operation, this bit is set low. To invert the input stream, set this bit high.															
8 - 4	ISPD4 - 0	<b>Input Sampling Point Delay</b> Default Sampling Point is 3/4. Adjust according to Figure 2 on page 17.															
3 - 2	Unused	<b>Reserved.</b> In normal functional mode, these bits <b>MUST</b> be set to 11.															

Table 21 - Group Control Register (continued)

External Read/Write Address: 40200 <sub>H</sub> - 4027F <sub>H</sub> Reset Value: 000C000C <sub>H</sub>															
31	30	29	28	27	26	25	24	23	22	21	20	19	18	17	16
0	0	0	0	0	0	0	0	0	OSI	OSBA 1	OSBA 0	1	1	OSSRC 1	OSSRC 0
15	14	13	12	11	10	9	8	7	6	5	4	3	2	1	0
0	0	0	0	0	0	ISI	ISPD 4	ISPD 3	ISPD 2	ISPD 1	ISPD 0	1	1	ISSRC 1	ISSRC 0

Bit	Name	Description										
1 - 0	ISSRC1 - 0	<b>Input Stream Clock Source Select</b> <table border="1"> <tr> <td>ISSRC1 - 0</td><td>Input Timing Source</td></tr> <tr> <td>00</td><td>Internal System Clock</td></tr> <tr> <td>01</td><td><math>\overline{\text{CKi0}}</math> and <math>\overline{\text{FPi0}}</math></td></tr> <tr> <td>10</td><td><math>\overline{\text{CKi1}}</math> and <math>\overline{\text{FPi1}}</math></td></tr> <tr> <td>11</td><td><math>\overline{\text{CKi2}}</math> and <math>\overline{\text{FPi2}}</math></td></tr> </table>	ISSRC1 - 0	Input Timing Source	00	Internal System Clock	01	$\overline{\text{CKi0}}$ and $\overline{\text{FPi0}}$	10	$\overline{\text{CKi1}}$ and $\overline{\text{FPi1}}$	11	$\overline{\text{CKi2}}$ and $\overline{\text{FPi2}}$
ISSRC1 - 0	Input Timing Source											
00	Internal System Clock											
01	$\overline{\text{CKi0}}$ and $\overline{\text{FPi0}}$											
10	$\overline{\text{CKi1}}$ and $\overline{\text{FPi1}}$											
11	$\overline{\text{CKi2}}$ and $\overline{\text{FPi2}}$											

**Table 21 - Group Control Register (continued)**

The Group Control Register is a static control register. Changes to bit settings may disrupt data flow on the selected port for a maximum of 2 frames.

## 12.4 Input Clock Control Register

The Input Clock Control Register is used to select the logic sense of the input clock.

External Read/Write Address: 40280 <sub>H</sub> Reset Value: 0DB <sub>H</sub>															
31	30	29	28	27	26	25	24	23	22	21	20	19	18	17	16
0	0	0	0	0	0	0	0	0	0	0	0	0	0	0	0
15	14	13	12	11	10	9	8	7	6	5	4	3	2	1	0
0	0	0	0	0	0	0	GCI SEL2	FPI POL2	CKI POL2	GCI SEL1	FPI POL1	CKI POL1	GCI SEL0	FPI POL0	CKI POL0
Bit	Name	Description													
31 - 9	Unused	<b>Reserved.</b> In normal functional mode, these bits <b>MUST</b> be set to zero.													
8	GCISEL2	<b>GCI-Bus Selection for <math>\overline{\text{FPI}}_2</math></b> When this bit is low, $\overline{\text{FPI}}_2$ is set for ST-BUS mode. When this bit is high, $\overline{\text{FPI}}_2$ is set for GCI-Bus mode.													
7	FPIPOL2	<b>Frame Pulse Polarity Selection for <math>\overline{\text{FPI}}_2</math></b> When this bit is low, $\overline{\text{FPI}}_2$ is set for active high. When this bit is high, $\overline{\text{FPI}}_2$ is set for active low.													
6	CKIPOL2	<b>Clock Polarity Selection for <math>\overline{\text{CKI}}_2</math></b> When this bit is low, $\overline{\text{CKI}}_2$ is set for the positive clock edge. When this bit is high, $\overline{\text{CKI}}_2$ is set for the negative clock edge.													
5	GCISEL1	<b>GCI-Bus Selection for <math>\overline{\text{FPI}}_1</math></b> When this bit is low, $\overline{\text{FPI}}_1$ is set for ST-BUS mode. When this bit is high, $\overline{\text{FPI}}_1$ is set for GCI-Bus mode.													
4	FPIPOL1	<b>Frame Pulse Polarity Selection for <math>\overline{\text{FPI}}_1</math></b> When this bit is low, $\overline{\text{FPI}}_1$ is set for active high. When this bit is high, $\overline{\text{FPI}}_1$ is set for active low.													
3	CKIPOL1	<b>Clock Polarity Selection for <math>\overline{\text{CKI}}_1</math></b> When this bit is low, $\overline{\text{CKI}}_1$ is set for the positive clock edge. When this bit is high, $\overline{\text{CKI}}_1$ is set for the negative clock edge.													
2	GCISEL0	<b>GCI-Bus Selection for <math>\overline{\text{FPI}}_0</math></b> When this bit is low, $\overline{\text{FPI}}_0$ is set for ST-BUS mode. When this bit is high, $\overline{\text{FPI}}_0$ is set for GCI-Bus mode.													
1	FPIPOL0	<b>Frame Pulse Polarity Selection for <math>\overline{\text{FPI}}_0</math></b> When this bit is low, $\overline{\text{FPI}}_0$ is set for active high. When this bit is high, $\overline{\text{FPI}}_0$ is set for active low.													
0	CKIPOL0	<b>Clock Polarity Selection for <math>\overline{\text{CKI}}_0</math></b> When this bit is low, $\overline{\text{CKI}}_0$ is set for the positive clock edge. When this bit is high, $\overline{\text{CKI}}_0$ is set for the negative clock edge.													

**Table 22 - Input Clock Control Register**

## 12.5 Output Clock Control Register

The Output Clock Control Register is used to select the desired source, frequency, and logic sense of the output clocks. The bit functions of the Output Clock Control Register are illustrated in Table 23.

External Read/Write Address: 40284 <sub>H</sub> Reset Value: 060D1C3C <sub>H</sub>															
31	30	29	28	27	26	25	24	23	22	21	20	19	18	17	16
0	0	0	0	GCO SEL3	FPO POL3	CKO POL3	CKO3 RATE1	CKO3 RATE0	CKO3 SRC1	CKO3 SRC0	GCO SEL2	FPO POL2	CKO POL2	CKO2 RATE1	CKO2 RATE0
15	14	13	12	11	10	9	8	7	6	5	4	3	2	1	0
CKO2 SRC1	CKO2 SRC0	GCO SEL1	FPO POL1	CKO POL1	CKO1 RATE1	CKO1 RATE0	CKO1 SRC1	CKO1 SRC0	GCO SEL0	FPO POL0	CKO POL0	CKO0 RATE1	CKO0 RATE0	CKO0 SRC1	CKO0 SRC0
Bit	Name	Description													
31 - 28	Unused	<b>Reserved.</b> In normal functional mode, these bits <b>MUST</b> be set to zero.													
27	GCO SEL3	<b>GCI-Bus Selection for <math>\overline{\text{FPo3}}</math></b> When this bit is low, $\overline{\text{FPo3}}$ is set for ST-BUS mode. When this bit is high, $\overline{\text{FPo3}}$ is set for GCI-Bus mode.													
26	FPO POL3	<b>Frame Pulse Polarity Selection for <math>\overline{\text{FPo3}}</math></b> When this bit is low, $\overline{\text{FPo3}}$ is set for active high. When this bit is high, $\overline{\text{FPo3}}$ is set for active low.													
25	CKO POL3	<b>Clock Polarity Selection for <math>\overline{\text{CKo3}}</math></b> When this bit is low, $\overline{\text{CKo3}}$ is set for the positive clock edge. When this bit is high, $\overline{\text{CKo3}}$ is set for the negative clock edge.													
24 - 23	CKO3 RATE 1 - 0	<b>Output Clock Rate for <math>\overline{\text{CKo3}}</math> and <math>\overline{\text{FPo3}}</math></b> The output clock rate can not exceed the selected clock source rate. All rates are available when the internal system clock is selected as clock source.													
		CKO3RATE1 - 0		$\overline{\text{CKo3}}$		$\overline{\text{FPo3}}$									
		00		8.192 MHz		120 ns									
		01		16.384 MHz		60 ns									
		10		32.768 MHz		30 ns									
		11		65.536 MHz		15 ns									
22 - 21	CKO3 SRC 1 - 0	<b>Output Clock Source for <math>\overline{\text{CKo3}}</math> and <math>\overline{\text{FPo3}}</math></b>													
		CKO3SRC1 - 0		Output Timing Source											
		00		Internal System Clock											
		01		$\overline{\text{CKi0}}$ and $\overline{\text{FPi0}}$											
		10		$\overline{\text{CKi1}}$ and $\overline{\text{FPi1}}$											
		11		$\overline{\text{CKi2}}$ and $\overline{\text{FPi2}}$											

**Table 23 - Output Clock Control Register**



External Read/Write Address: 40284 <sub>H</sub> Reset Value: 060D1C3C <sub>H</sub>																														
31	30	29	28	27	26	25	24	23	22	21	20	19	18	17	16															
0	0	0	0	GCO SEL3	FPO POL3	CKO POL3	CKO3 RATE1	CKO3 RATE0	CKO3 SRC1	CKO3 SRC0	GCO SEL2	FPO POL2	CKO POL2	CKO2 RATE1	CKO2 RATE0															
15	14	13	12	11	10	9	8	7	6	5	4	3	2	1	0															
CKO2 SRC1	CKO2 SRC0	GCO SEL1	FPO POL1	CKO POL1	CKO1 RATE1	CKO1 RATE0	CKO1 SRC1	CKO1 SRC0	GCO SEL0	FPO POL0	CKO POL0	CKO0 RATE1	CKO0 RATE0	CKO0 SRC1	CKO0 SRC0															
Bit	Name	Description																												
20	GCO SEL2	<b>GCI-Bus Selection for <math>\overline{\text{FPo2}}</math></b> When this bit is low, $\overline{\text{FPo2}}$ is set for ST-BUS mode. When this bit is high, $\overline{\text{FPo2}}$ is set for GCI-Bus mode.																												
19	FPO POL2	<b>Frame Pulse Polarity Selection for <math>\overline{\text{FPo2}}</math></b> When this bit is low, $\overline{\text{FPo2}}$ is set for active high. When this bit is high, $\overline{\text{FPo2}}$ is set for active low.																												
18	CKO POL2	<b>Clock Polarity Selection for <math>\overline{\text{CKo2}}</math></b> When this bit is low, $\overline{\text{CKo2}}$ is set for the positive clock edge. When this bit is high, $\overline{\text{CKo2}}$ is set for the negative clock edge.																												
17 - 16	CKO2 RATE 1 - 0	<b>Output Clock Rate for <math>\overline{\text{CKo2}}</math> and <math>\overline{\text{FPo2}}</math></b> The output clock rate can not exceed the selected clock source rate. All rates are available when the internal system clock is selected as clock source.																												
		<table border="1" style="width:100%; border-collapse: collapse; margin-left: 40px;"> <thead> <tr> <th style="text-align:center">CKO2RATE1 - 0</th><th style="text-align:center"><math>\overline{\text{CKo2}}</math></th><th style="text-align:center"><math>\overline{\text{FPo2}}</math></th></tr> </thead> <tbody> <tr> <td style="text-align:center">00</td><td style="text-align:center">8.192 MHz</td><td style="text-align:center">120 ns</td></tr> <tr> <td style="text-align:center">01</td><td style="text-align:center">16.384 MHz</td><td style="text-align:center">60 ns</td></tr> <tr> <td style="text-align:center">10</td><td style="text-align:center">32.768 MHz</td><td style="text-align:center">30 ns</td></tr> <tr> <td style="text-align:center">11</td><td style="text-align:center">65.536 MHz</td><td style="text-align:center">15 ns</td></tr> </tbody> </table>														CKO2RATE1 - 0	$\overline{\text{CKo2}}$	$\overline{\text{FPo2}}$	00	8.192 MHz	120 ns	01	16.384 MHz	60 ns	10	32.768 MHz	30 ns	11	65.536 MHz	15 ns
CKO2RATE1 - 0	$\overline{\text{CKo2}}$	$\overline{\text{FPo2}}$																												
00	8.192 MHz	120 ns																												
01	16.384 MHz	60 ns																												
10	32.768 MHz	30 ns																												
11	65.536 MHz	15 ns																												
15 - 14	CKO2 SRC 1 - 0	<b>Output Clock Source for <math>\overline{\text{CKo2}}</math> and <math>\overline{\text{FPo2}}</math></b>																												
		<table border="1" style="width:100%; border-collapse: collapse; margin-left: 40px;"> <thead> <tr> <th style="text-align:center">CKO2SRC1 - 0</th><th style="text-align:center">Output Timing Source</th></tr> </thead> <tbody> <tr> <td style="text-align:center">00</td><td style="text-align:center">Internal System Clock</td></tr> <tr> <td style="text-align:center">01</td><td style="text-align:center"><math>\overline{\text{CKi0}}</math> and <math>\overline{\text{FPi0}}</math></td></tr> <tr> <td style="text-align:center">10</td><td style="text-align:center"><math>\overline{\text{CKi1}}</math> and <math>\overline{\text{FPi1}}</math></td></tr> <tr> <td style="text-align:center">11</td><td style="text-align:center"><math>\overline{\text{CKi2}}</math> and <math>\overline{\text{FPi2}}</math></td></tr> </tbody> </table>														CKO2SRC1 - 0	Output Timing Source	00	Internal System Clock	01	$\overline{\text{CKi0}}$ and $\overline{\text{FPi0}}$	10	$\overline{\text{CKi1}}$ and $\overline{\text{FPi1}}$	11	$\overline{\text{CKi2}}$ and $\overline{\text{FPi2}}$					
CKO2SRC1 - 0	Output Timing Source																													
00	Internal System Clock																													
01	$\overline{\text{CKi0}}$ and $\overline{\text{FPi0}}$																													
10	$\overline{\text{CKi1}}$ and $\overline{\text{FPi1}}$																													
11	$\overline{\text{CKi2}}$ and $\overline{\text{FPi2}}$																													
13	GCO SEL1	<b>GCI-Bus Selection for <math>\overline{\text{FPo1}}</math></b> When this bit is low, $\overline{\text{FPo1}}$ is set for ST-BUS mode. When this bit is high, $\overline{\text{FPo1}}$ is set for GCI-Bus mode.																												

**Table 23 - Output Clock Control Register (continued)**

External Read/Write Address: 40284 <sub>H</sub> Reset Value: 060D1C3C <sub>H</sub>																														
31	30	29	28	27	26	25	24	23	22	21	20	19	18	17	16															
0	0	0	0	GCO SEL3	FPO POL3	CKO POL3	CKO3 RATE1	CKO3 RATE0	CKO3 SRC1	CKO3 SRC0	GCO SEL2	FPO POL2	CKO POL2	CKO2 RATE1	CKO2 RATE0															
15	14	13	12	11	10	9	8	7	6	5	4	3	2	1	0															
CKO2 SRC1	CKO2 SRC0	GCO SEL1	FPO POL1	CKO POL1	CKO1 RATE1	CKO1 RATE0	CKO1 SRC1	CKO1 SRC0	GCO SEL0	FPO POL0	CKO POL0	CKO0 RATE1	CKO0 RATE0	CKO0 SRC1	CKO0 SRC0															
<b>Bit</b>	<b>Name</b>	<b>Description</b>																												
12	FPO POL1	<b>Frame Pulse Polarity Selection for <math>\overline{\text{FPo1}}</math></b> When this bit is low, $\overline{\text{FPo1}}$ is set for active high. When this bit is high, $\overline{\text{FPo1}}$ is set for active low.																												
11	CKO POL1	<b>Clock Polarity Selection for <math>\overline{\text{CKo1}}</math></b> When this bit is low, $\overline{\text{CKo1}}$ is set for the positive clock edge. When this bit is high, $\overline{\text{CKo1}}$ is set for the negative clock edge.																												
10 - 9	CKO1 RATE 1 - 0	<b>Output Clock Rate for <math>\overline{\text{CKo1}}</math> and <math>\overline{\text{FPo1}}</math></b> The output clock rate can not exceed the selected clock source rate. All rates are available when the internal system clock is selected as clock source.																												
		<table border="1"> <thead> <tr> <th>CKO1RATE1 - 0</th><th><math>\overline{\text{CKo1}}</math></th><th><math>\overline{\text{FPo1}}</math></th></tr> </thead> <tbody> <tr> <td>00</td><td>8.192 MHz</td><td>120 ns</td></tr> <tr> <td>01</td><td>16.384 MHz</td><td>60 ns</td></tr> <tr> <td>10</td><td>32.768 MHz</td><td>30 ns</td></tr> <tr> <td>11</td><td>65.536 MHz</td><td>15 ns</td></tr> </tbody> </table>														CKO1RATE1 - 0	$\overline{\text{CKo1}}$	$\overline{\text{FPo1}}$	00	8.192 MHz	120 ns	01	16.384 MHz	60 ns	10	32.768 MHz	30 ns	11	65.536 MHz	15 ns
CKO1RATE1 - 0	$\overline{\text{CKo1}}$	$\overline{\text{FPo1}}$																												
00	8.192 MHz	120 ns																												
01	16.384 MHz	60 ns																												
10	32.768 MHz	30 ns																												
11	65.536 MHz	15 ns																												
8 - 7	CKO1 SRC 1 - 0	<b>Output Clock Source for <math>\overline{\text{CKo1}}</math> and <math>\overline{\text{FPo1}}</math></b>																												
		<table border="1"> <thead> <tr> <th>CKO1SRC1 - 0</th><th>Output Timing Source</th></tr> </thead> <tbody> <tr> <td>00</td><td>Internal System Clock</td></tr> <tr> <td>01</td><td><math>\overline{\text{CKi0}}</math> and <math>\overline{\text{FPi0}}</math></td></tr> <tr> <td>10</td><td><math>\overline{\text{CKi1}}</math> and <math>\overline{\text{FPi1}}</math></td></tr> <tr> <td>11</td><td><math>\overline{\text{CKi2}}</math> and <math>\overline{\text{FPi2}}</math></td></tr> </tbody> </table>														CKO1SRC1 - 0	Output Timing Source	00	Internal System Clock	01	$\overline{\text{CKi0}}$ and $\overline{\text{FPi0}}$	10	$\overline{\text{CKi1}}$ and $\overline{\text{FPi1}}$	11	$\overline{\text{CKi2}}$ and $\overline{\text{FPi2}}$					
CKO1SRC1 - 0	Output Timing Source																													
00	Internal System Clock																													
01	$\overline{\text{CKi0}}$ and $\overline{\text{FPi0}}$																													
10	$\overline{\text{CKi1}}$ and $\overline{\text{FPi1}}$																													
11	$\overline{\text{CKi2}}$ and $\overline{\text{FPi2}}$																													
6	GCO SEL0	<b>GCI-Bus Selection for <math>\overline{\text{FPo0}}</math></b> When this bit is low, $\overline{\text{FPo0}}$ is set for ST-BUS mode. When this bit is high, $\overline{\text{FPo0}}$ is set for GCI-Bus mode.																												
5	FPO POL0	<b>Frame Pulse Polarity Selection for <math>\overline{\text{FPo0}}</math></b> When this bit is low, $\overline{\text{FPo0}}$ is set for active high. When this bit is high, $\overline{\text{FPo0}}$ is set for active low.																												

Table 23 - Output Clock Control Register (continued)

External Read/Write Address: 40284 <sub>H</sub> Reset Value: 060D1C3C <sub>H</sub>															
31	30	29	28	27	26	25	24	23	22	21	20	19	18	17	16
0	0	0	0	GCO SEL3	FPO POL3	CKO POL3	CKO3 RATE1	CKO3 RATE0	CKO3 SRC1	CKO3 SRC0	GCO SEL2	FPO POL2	CKO POL2	CKO2 RATE1	CKO2 RATE0
15	14	13	12	11	10	9	8	7	6	5	4	3	2	1	0
CKO2 SRC1	CKO2 SRC0	GCO SEL1	FPO POL1	CKO POL1	CKO1 RATE1	CKO1 RATE0	CKO1 SRC1	CKO1 SRC0	GCO SEL0	FPO POL0	CKO POL0	CKO0 RATE1	CKO0 RATE0	CKO0 SRC1	CKO0 SRC0
Bit	Name	Description													
4	CKO POL0	<b>Clock Polarity Selection for <math>\overline{\text{CKo0}}</math></b> When this bit is low, $\overline{\text{CKo0}}$ is set for the positive clock edge. When this bit is high, $\overline{\text{CKo0}}$ is set for the negative clock edge.													
3 - 2	CKO0 RATE 1 - 0	<b>Output Clock Rate for <math>\overline{\text{CKo0}}</math> and <math>\overline{\text{FPo0}}</math></b> The output clock rate can not exceed the selected clock source rate. All rates are available when the internal system clock is selected as clock source.													
		CKO0RATE1 - 0			$\overline{\text{CKo0}}$					$\overline{\text{FPo0}}$					
		00			8.192 MHz					120 ns					
		01			16.384 MHz					60 ns					
		10			32.768 MHz					30 ns					
		11			65.536 MHz					15 ns					
1 - 0	CKO0 SRC 1 - 0	<b>Output Clock Source for <math>\overline{\text{CKo0}}</math> and <math>\overline{\text{FPo0}}</math></b>													
		CKO0SRC1 - 0			Output Timing Source										
		00			Internal System Clock										
		01			$\overline{\text{CKi0}}$ and $\overline{\text{FPi0}}$										
		10			$\overline{\text{CKi1}}$ and $\overline{\text{FPi1}}$										
		11			$\overline{\text{CKi2}}$ and $\overline{\text{FPi2}}$										

Table 23 - Output Clock Control Register (continued)

## 12.6 Block Init Register

The Block Init Register is a 32 bit read/write register at address 040288 - 04028B<sub>H</sub>.

The Block Init Register is used during block initialization of the connection memory. A block initialization automatically occurs at power-up. However, it is possible to perform a block initialization at any time. During Block Initialization, the value of the Block Init Register is copied to all connection memory locations in an operation that runs in about 120  $\mu$ s. If the Block Init Register is modified during a block initialization, the new value used is ignored.

## 12.7 Block Init Enable Register

The Block Init Enable Register is a 32 bit read/write register at address 04028C - 04028F<sub>H</sub>.

The Block Init Enable Register is used to initiate a block initialization of the connection memory. A block initialization automatically occurs at power-up. Since the Block Init Register is cleared at power-up this automatic block initialization will write all zeros to all Connection Memory Bits. However, it is possible to perform a block initialization at any time. To begin a block initialization, the hex value 31415926 must be written to the Block Init Enable Register. If a block initialization is signaled while one is in progress, the signal is ignored, and the currently active block initialization is allowed to complete.

The value read back from the Block Init Enable Register is different from the value written. It represents both the block initialization status, and the power-up reset initialization status. The meaning of the initialization status bits is illustrated in Table 24. The bits 31 - 2 always read back 0.

Bit	Name	Description
0	Block Init Status	0 if Block initialization is completed; 1 if Block initialization is in progress.
1	Reset Init Status	0 if Reset initialization is completed; 1 if Reset initialization is in progress.

**Table 24 - Block and Power-up Initialization Status Bits**

Any access to the connection memory or the data memory during a block initialization or a reset initialization will result in a bus error, BERR. All TDM outputs are tri-stated during any block initialization.

## 12.8 Global Rate Control Register

The Global Rate Control Register is used to select the data rate of all the input and output streams. On power-up, the GBR bits are both reset to 0, corresponding to a rate of 8.192 Mbps.

External Read/Write Address: 040290 - 040293 <sub>H</sub>															
Reset Value: 0000 <sub>H</sub>															
31	30	29	28	27	26	25	24	23	22	21	20	19	18	17	16
0	0	0	0	0	0	0	0	0	0	0	0	0	0	0	0
15	14	13	12	11	10	9	8	7	6	5	4	3	2	1	0
0	0	0	0	0	0	0	0	0	0	0	0	0	0	GBR 1	GBR 0

Bit	Name	Description										
31 - 2	Unused	<b>Reserved.</b> In normal functional mode, these bits <b>MUST</b> be set to zero.										
1 - 0	GBR1 - 0	<b>Global Bit Rate Selection</b> <table border="1" style="margin-left: 20px;"> <thead> <tr> <th>GBR 1 - 0</th><th>Input and Output Data Rate</th></tr> </thead> <tbody> <tr> <td>00</td><td>8 Mbps - Group A, B, C and D</td></tr> <tr> <td>01</td><td>16 Mbps - Group A, B, C and D</td></tr> <tr> <td>10</td><td>32 Mbps - Group A and B Group C and D inputs are unused Group C and D outputs are tristated</td></tr> <tr> <td>11</td><td>65 Mbps - Group A Group B, C and D inputs are unused Group B, C and D outputs are tristated</td></tr> </tbody> </table> <p>Each input and output group can individually select different clock sources. If the internal system clock is used as the clock source, all the above data rates are available. Otherwise, the data rate cannot exceed the selected clock source's rate.</p>	GBR 1 - 0	Input and Output Data Rate	00	8 Mbps - Group A, B, C and D	01	16 Mbps - Group A, B, C and D	10	32 Mbps - Group A and B Group C and D inputs are unused Group C and D outputs are tristated	11	65 Mbps - Group A Group B, C and D inputs are unused Group B, C and D outputs are tristated
GBR 1 - 0	Input and Output Data Rate											
00	8 Mbps - Group A, B, C and D											
01	16 Mbps - Group A, B, C and D											
10	32 Mbps - Group A and B Group C and D inputs are unused Group C and D outputs are tristated											
11	65 Mbps - Group A Group B, C and D inputs are unused Group B, C and D outputs are tristated											

### 13.0 DC/AC Electrical Characteristics

**Absolute Maximum Ratings**<sup>1</sup> - Voltages are with respect to ground (VSS) unless otherwise stated.

	Characteristics	Sym.	Min.	Typ. <sup>2</sup>	Max.	Unit
1	Chip I/O Supply Voltage	V <sub>DD_IO</sub>	-0.5		5.0	V
2	Chip Core Supply Voltage	V <sub>DD_CORE</sub>	-0.5		5.0	V
3	Input Voltage (non-5 V tolerant inputs)	V <sub>I_3V</sub>	-0.5		V <sub>DD_IO</sub> + 0.5	V
4	Input Voltage (5 V tolerant inputs)	V <sub>I_5V</sub>	-0.5		7.0	V
5	Continuous Current at digital outputs	I <sub>o</sub>			15	mA
6	Package power dissipation	P <sub>D</sub>			2.1	W
7	Storage temperature	T <sub>S</sub>	- 55		+125	°C

Note 1: Exceeding these values may cause permanent damage. Functional operation under these conditions is not implied.

Note 2: Typical figures are at 25°C, V<sub>DD\_CORE</sub> at 1.8 V and V<sub>DD\_IO</sub> at 3.3 V and are for design aid only: not guaranteed and not subject to production testing.

**Recommended Operating Conditions** - Voltages are with respect to ground (VSS) unless otherwise stated.

	Characteristics	Sym.	Min.	Typ. <sup>1</sup>	Max.	Unit
1	Operating Temperature	T <sub>OP</sub>	-40	25	+85	°C
2	Positive Supply Core	V <sub>DD_CORE</sub>	1.71	1.8	1.89	V
3	Positive Supply I/O	V <sub>DD_IO</sub>	3.0	3.3	3.6	V
4	Input Voltage (non-5V tolerant inputs)	V <sub>I_3V</sub>	0		V <sub>DD_IO</sub>	V
5	Input Voltage (5V tolerant inputs)	V <sub>I_5V</sub>	0		5.5	

Note 1: Typical figures are at 25°C, V<sub>DD\_CORE</sub> at 1.8 V and V<sub>DD\_IO</sub> at 3.3 V and are for design aid only: not guaranteed and not subject to production testing.

**DC Electrical Characteristics** - Voltages are with respect to ground (VSS) unless otherwise stated.

	Characteristics	Sym.	Min.	Typ. <sup>1</sup>	Max.	Unit	Test Conditions
1	Core Supply Current <sup>2</sup>	$I_{DD\_CORE}$			500	mA	
2	I/O Supply Current	$I_{DD\_IO}$			62	mA	Outputs unloaded
3	Leakage Current	$I_{DDQ}$		105		$\mu$ A	
4	Dynamic Power Dissipation	$P_{DD}$			1.2	W	Outputs Unloaded
5	Input High Voltage	$V_{IH}$	2.0			V	
6	Input Low Voltage	$V_{IL}$			0.8	V	
7	Input Leakage (input pins) <sup>3</sup>	$I_{IL}$			5	$\mu$ A	$0 \leq V_I \leq V_{DD\_IO}$
8	Input Leakage (bi-directional pins)	$I_{BL}$			5	$\mu$ A	$0 \leq V_I \leq V_{DD\_IO}$
9	Weak Pull-up Current	$I_{PU}$		-33		$\mu$ A	Input at 0V
10	Weak Pull-down Current	$I_{PD}$		33		$\mu$ A	Input at $V_{DD\_IO}$
11	Input Pin Capacitance	$C_I$		3		pF	
12	Output High Voltage	$V_{OH}$	2.4			V	$I_{OH} = 8 \text{ mA}$
13	Output Low Voltage	$V_{OL}$			0.4	V	$I_{OL} = 8 \text{ mA}$

1. Typical figures are at 25°C,  $V_{DD\_CORE}$  at 1.8 V and  $V_{DD\_IO}$  at 3.3 V and are for design aid only: not guaranteed and not subject to production testing.

2. SToA = 65 Mbps with random patterns. CKo0 = 65 MHz, CKo1 = 32 MHz

3. Maximum leakage on pins (output or I/O pins in high impedance state) is over an applied voltage ( $V_{in}$ ).

**AC Electrical Characteristics<sup>1</sup> - Timing Parameter Measurement Voltage Levels** - Voltages are with respect to ground (VSS) unless otherwise stated.

	Characteristics	Sym.	Level	Unit	Test Conditions
1	CMOS Threshold	$V_{CT}$	$0.5 V_{DD\_IO}$	V	
2	Rise/Fall Threshold Voltage High	$V_{HM}$	$0.7 V_{DD\_IO}$	V	
3	Rise/Fall Threshold Voltage Low	$V_{LM}$	$0.3 V_{DD\_IO}$	V	

1. Characteristics are over recommended operating conditions unless otherwise stated.

AC Electrical Characteristics<sup>1</sup> -  $\overline{\text{FPi0-2}}$  and  $\overline{\text{CKi0-2}}$  Timing

No.	Characteristic (Figure )	Sym.	Min.	Typ. <sup>2</sup>	Max.	Units	Notes
1	$\overline{\text{FPi0-2}}$ Input Frame Pulse Setup Time	$t_{\text{FPIS}}$	3		12	ns	$\overline{\text{CKi}} = 65.536$ MHz
			3		25	ns	$\overline{\text{CKi}} = 32.768$ MHz
			3		55	ns	$\overline{\text{CKi}} = 16.384$ MHz
			3		115	ns	$\overline{\text{CKi}} = 8.192$ MHz
2	$\overline{\text{FPi0-2}}$ Input Frame Pulse Hold Time	$t_{\text{FPIH}}$	2		12	ns	$\overline{\text{CKi}} = 65.536$ MHz
			2		25	ns	$\overline{\text{CKi}} = 32.768$ MHz
			2		55	ns	$\overline{\text{CKi}} = 16.384$ MHz
			2		115	ns	$\overline{\text{CKi}} = 8.192$ MHz
3	$\overline{\text{FPi0-2}}$ Input Frame Pulse width	$t_{\text{FPIW}}$	5		24	ns	$\overline{\text{CKi}} = 65.536$ MHz
			5		50	ns	$\overline{\text{CKi}} = 32.768$ MHz
			5		110	ns	$\overline{\text{CKi}} = 16.384$ MHz
			5		230	ns	$\overline{\text{CKi}} = 8.192$ MHz
4	$\overline{\text{CKi0-2}}$ Input Clock Period (average value, does not consider the effects of jitter)	$t_{\text{CKIP}}$	15	15.26	15.5	ns	65.536 MHz
			30	30.5	31	ns	32.768 MHz
			60	61.0	62	ns	16.384 MHz
			120	122	124	ns	8.192 MHz
5	$\overline{\text{CKi}}$ Input Clock High Time	$t_{\text{CKIH}}$	4			ns	
6	$\overline{\text{CKi}}$ Input Clock Low Time	$t_{\text{CKIL}}$	4			ns	
7	$\overline{\text{CKi}}$ Input Clock Rise/Fall Time	$t_{\text{rCKi}}, t_{\text{fCKi}}$	0		6	ns	
8	$\overline{\text{CKi}}$ Input Clock Cycle to Cycle Variation	$t_{\text{CVC}}$			2	ns p-p	Standard rating <sup>3</sup> . STi at 65 Mbps
					4	ns p-p	Standard rating <sup>3</sup> . STi at 32 Mbps
					10	ns p-p	Standard rating <sup>3</sup> . STi at 16 Mbps
					20	ns p-p	Standard rating <sup>3</sup> . STi at 8 Mbps
					20% of $t_{\text{CKIP}}$	p-p	Extended rating. With alternate clock source <sup>4</sup> or high $\overline{\text{CKi0}}$ rate <sup>5</sup>

Note 1: Characteristics are over recommended operating conditions unless otherwise stated.

Note 2: Typical figures are at 25°C,  $V_{\text{DD\_CORE}}$  at 1.8 V and  $V_{\text{DD\_IO}}$  at 3.3 V and are for design aid only: not guaranteed and not subject to production testing.

Note 3: When using internal APLL clock source and the  $\overline{\text{CKi0}}$  frequency is less than or equal to the data rate.

Note 4: When using input clock source  $\overline{\text{CKi2-0}}$  instead of the internal APLL clock source.

Note 5: When using internal APLL clock source and the  $\overline{\text{CKi0}}$  frequency is higher than or equal to twice the data rate.



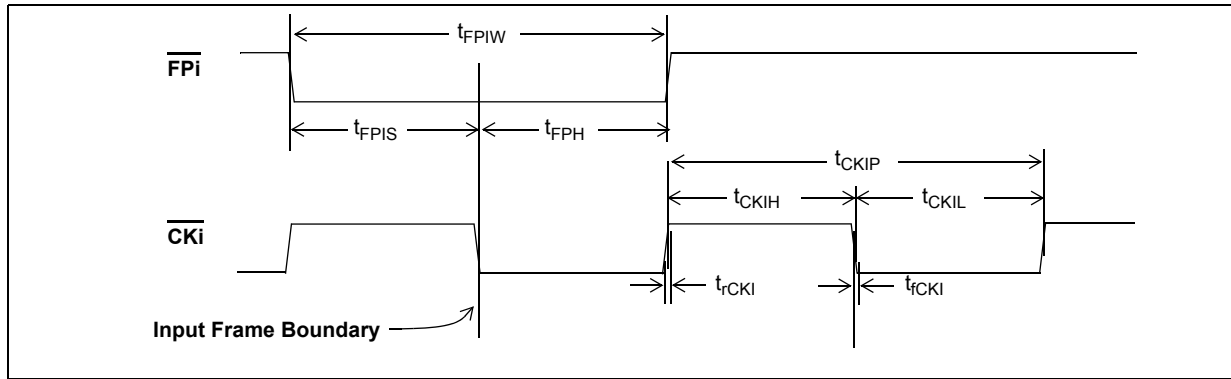


Figure 8 - Frame Pulse Input and Clock Input

AC Electrical Characteristics<sup>1</sup> -  $\overline{FPI}$  and  $\overline{CKi}$  Skew

No.	Characteristic (Figure 9)	Sym.	Min.	Typ. <sup>2</sup>	Max.	Units	Notes
1	$\overline{CKi0}$ to $\overline{CKi1, 2}$ Skew	$t_{CKSK}$	-30		+30	ns	$C_L$ 50 pF Assume no jitter on input clocks

- 1. Characteristics are over recommended operating conditions unless otherwise stated.
- 2. Typical figures are at 25°C,  $V_{DD\_CORE}$  at 1.8 V and  $V_{DD\_IO}$  at 3.3 V and are for design aid only: not guaranteed and not subject to production testing.

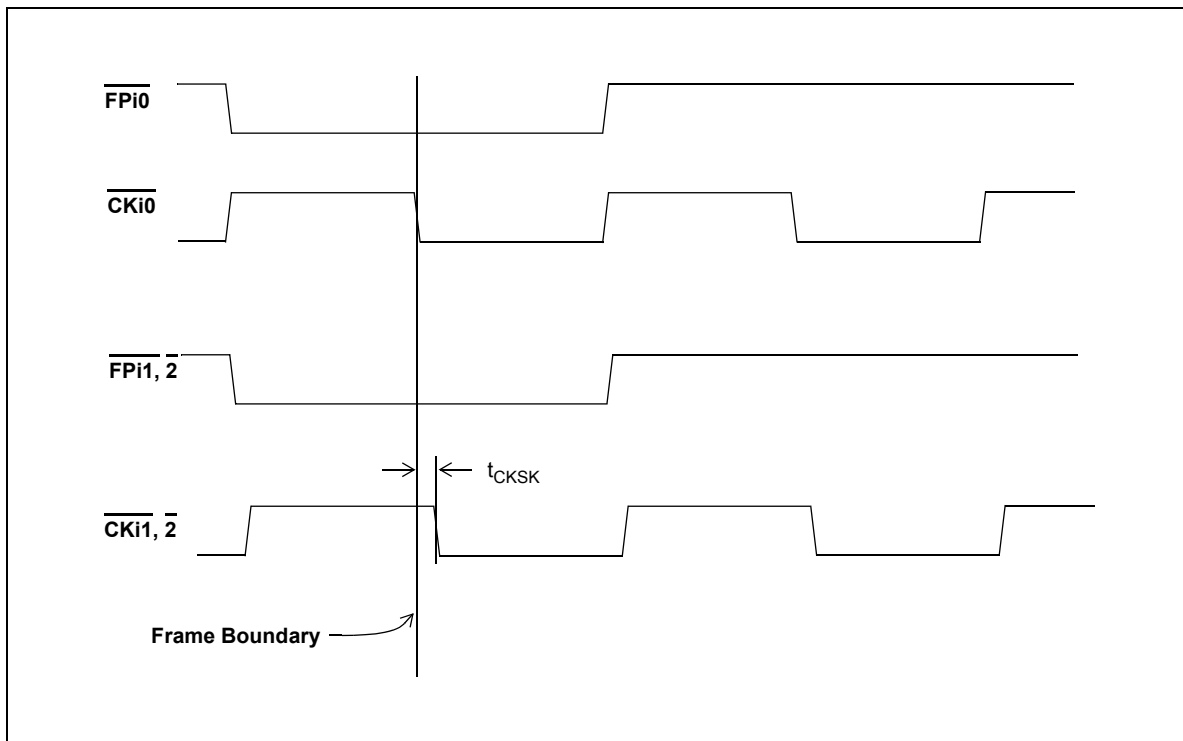


Figure 9 - Frame Skew Timing Diagram

**AC Electrical Characteristics<sup>1</sup> -  $\overline{\text{FPO}}_{0-3}$  and  $\overline{\text{CKO}}_{0-3}$  (65.536 MHz) Timing**

No.	Characteristic	Sym.	Min.	Typ. <sup>2</sup>	Max.	Units	Notes <sup>3</sup>
1	$\overline{\text{FPO}}_{0-3}$ Output Frame Pulse Setup Time	$t_{\text{FPOS}}$	5.5		9.5	ns	$C_L=30$ pF
2	$\overline{\text{FPO}}_{0-3}$ Output Frame Pulse Hold Time	$t_{\text{FPOH}}$	5.5		9.5	ns	$C_L=30$ pF
3	$\overline{\text{CKO}}_{0-3}$ Output Clock Period	$t_{\text{CKOP}}$	14.5		15.5	ns	$C_L=30$ pF

**AC Electrical Characteristics<sup>1</sup> -  $\overline{\text{FPO}}_{0-3}$  and  $\overline{\text{CKO}}_{0-3}$  (32.768 MHz) Timing**

No.	Characteristic	Sym.	Min.	Typ. <sup>2</sup>	Max.	Units	Notes <sup>3</sup>
1	$\overline{\text{FPO}}_{0-3}$ Output Frame Pulse Setup Time	$t_{\text{FPOS}}$	14.0		16.5	ns	$C_L=30$ pF
2	$\overline{\text{FPO}}_{0-3}$ Output Frame Pulse Hold Time	$t_{\text{FPOH}}$	14.0		16.5	ns	$C_L=30$ pF
3	$\overline{\text{CKO}}_{0-3}$ Output Clock Period	$t_{\text{CKOP}}$	30.0		31.0	ns	$C_L=30$ pF

**AC Electrical Characteristics<sup>1</sup> -  $\overline{\text{FPO}}_{0-3}$  and  $\overline{\text{CKO}}_{0-3}$  (16.384 MHz) Timing**

No.	Characteristic	Sym.	Min.	Typ. <sup>2</sup>	Max.	Units	Notes <sup>3</sup>
1	$\overline{\text{FPO}}_{0-3}$ Output Frame Pulse Setup Time	$t_{\text{FPOS}}$	29.0		31.0	ns	$C_L=30$ pF
2	$\overline{\text{FPO}}_{0-3}$ Output Frame Pulse Hold Time	$t_{\text{FPOH}}$	29.0		31.0	ns	$C_L=30$ pF
3	$\overline{\text{CKO}}_{0-3}$ Output Clock Period	$t_{\text{CKOP}}$	60.5		61.5	ns	$C_L=30$ pF

**AC Electrical Characteristics<sup>1</sup> -  $\overline{\text{FPO}}_{0-3}$  and  $\overline{\text{CKO}}_{0-3}$  (8.192 MHz) Timing**

No.	Characteristic	Sym.	Min.	Typ. <sup>2</sup>	Max.	Units	Notes <sup>3</sup>
1	$\overline{\text{FPO}}_{0-3}$ Output Frame Pulse Setup Time	$t_{\text{FPOS}}$	60.0		62.0	ns	$C_L=30$ pF
2	$\overline{\text{FPO}}_{0-3}$ Output Frame Pulse Hold Time	$t_{\text{FPOH}}$	60.0		62.0	ns	$C_L=30$ pF
3	$\overline{\text{CKO}}_{0-3}$ Output Clock Period	$t_{\text{CKOP}}$	121.5		122.5	ns	$C_L=30$ pF

Note 1: Characteristics are over recommended operating conditions unless otherwise stated.

Note 2: Typical figures are at 25°C,  $V_{\text{DD\_CORE}}$  at 1.8 V and  $V_{\text{DD\_IO}}$  at 3.3 V and are for design aid only: not guaranteed and not subject to production testing.

Note 3:  $\overline{\text{CKO}}$  clock source set to internal 131 MHz APLL, and CKi0 and FPi0 meet all the timing requirements.

Note 4: When CKo source is set to one of the CKi/FPi, its output timings directly follow its source.

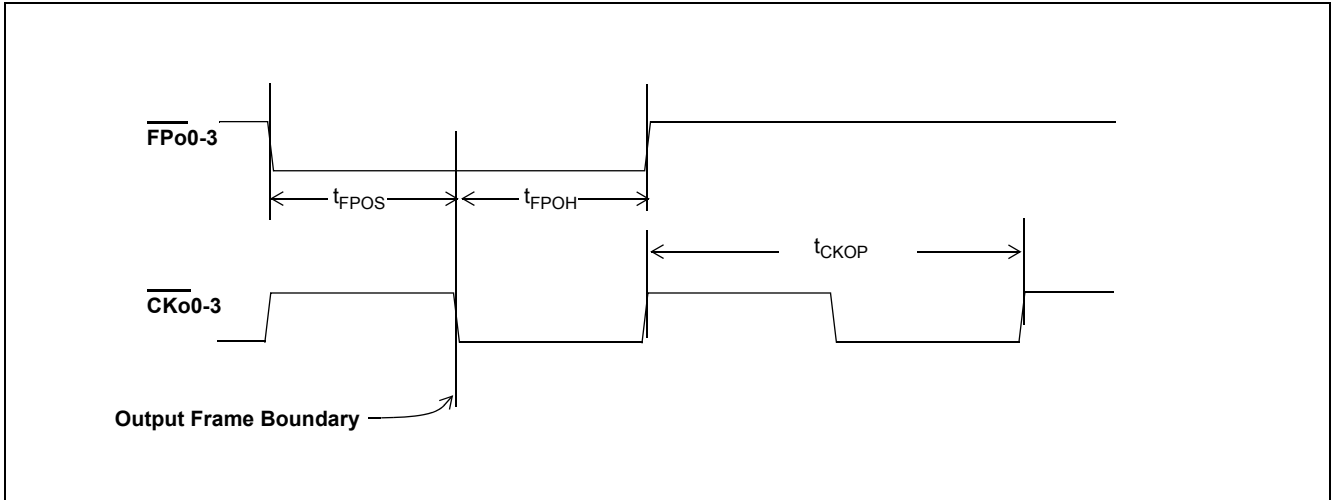


Figure 10 - ST-Bus Frame Pulse and Clock Output Timing

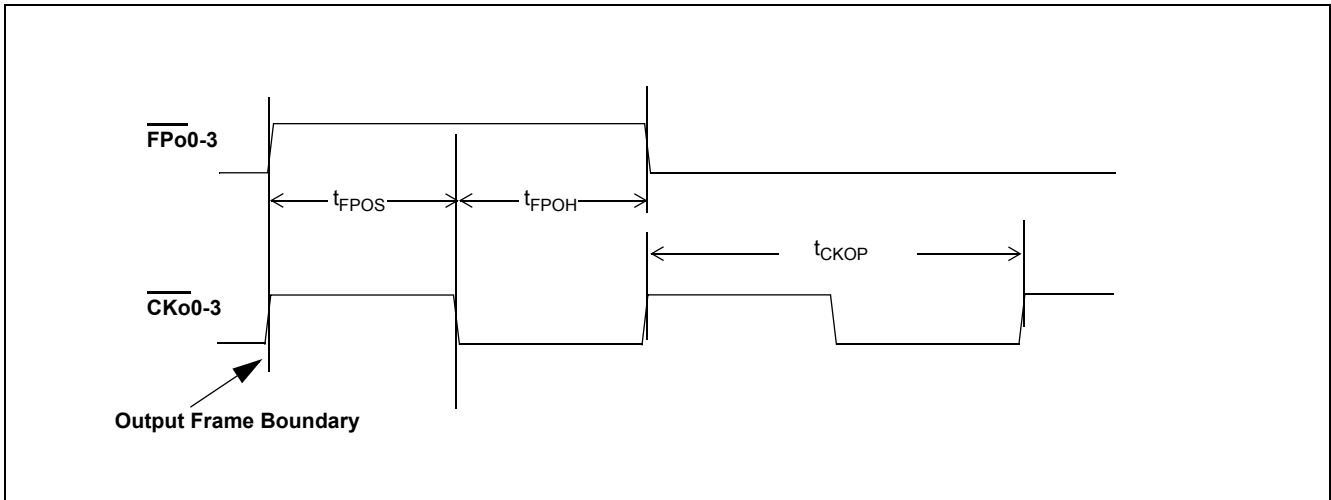


Figure 11 - GCI Frame Pulse and Clock Output Timing

AC Electrical Characteristics - Output Clock Jitter Generation

No.	Characteristic	Max.	Units	Notes <sup>1,2</sup>
1	Jitter at $\overline{\text{CKO0-3}}$ (8.192 MHz)	1050	ps-pp	
2	Jitter at $\overline{\text{CKO0-3}}$ (16.384 MHz)	1030	ps-pp	
3	Jitter at $\overline{\text{CKO0-3}}$ (32.768 MHz)	920	ps-pp	
4	Jitter at $\overline{\text{CKO0-3}}$ (65.536 MHz)	810	ps-pp	

Note 1:  $\overline{\text{CKi}}$  at 8 MHz, output clock source set to internal APLL. No jitter presented on the Cki0 input.

Note 2: For 65.536 MHz output clock, the total loading on the output should not be larger than 10pF.

AC Electrical Characteristics<sup>1</sup> - Serial Data Timing<sup>2</sup> to  $\overline{\text{CKi}}$ 

No.	Characteristic (Figure 12)	Sym.	Min.	Typ. <sup>3</sup>	Max.	Units	Notes <sup>4</sup>
1	$\overline{\text{CKi}}$ to $\overline{\text{CKo}}$ Positive edge Propagation Delay	$t_{\text{CKDP}}$	3.5		8	ns	$\overline{\text{CKo}}$ clock source = $\overline{\text{CKi}}$
			4.1		9.2	ns	$\overline{\text{CKo}}$ Clock source = Internal 131 MHz APLL output
2	$\overline{\text{CKi}}$ to $\overline{\text{CKo}}$ Negative edge Propagation Delay	$t_{\text{CKDN}}$	4.5		9.2		$\overline{\text{CKo}}$ clock source = $\overline{\text{CKi}}$
			5		10.1		$\overline{\text{CKo}}$ Clock source = Internal 131 MHz APLL output
3	STi to posedge $\overline{\text{CKi}}$ setup	$t_{\text{SIPS}}$	-0.8			ns	
4	STi to posedge $\overline{\text{CKi}}$ hold	$t_{\text{SIPH}}$	5.9			ns	
5	STi to negedge $\overline{\text{CKi}}$ setup	$t_{\text{SINS}}$	-0.8			ns	
6	STi to negedge $\overline{\text{CKi}}$ hold	$t_{\text{SINH}}$	5.9			ns	
7	Posedge $\overline{\text{CKi}}$ to Output Data Valid	$t_{\text{SIPV}}$	4.8		11.6	ns	SToA <sup>5</sup>
			4.1		13.7	ns	SToB, C, D <sup>5</sup>
8	Negedge $\overline{\text{CKi}}$ to Output Data Valid	$t_{\text{SINV}}$	5.8		12.9	ns	SToA <sup>5</sup>
			4.5		14.8	ns	SToB, C, D <sup>5</sup>
9	Posedge $\overline{\text{CKi}}$ to Output Data tri-state	$t_{\text{SIPZ}}$	4.3		14.6	ns	SToA <sup>5</sup>
			4.6		14.5	ns	SToB, C, D <sup>5</sup>
10	Negedge $\overline{\text{CKi}}$ to Output Data tri-state	$t_{\text{SINZ}}$	5.3		13	ns	SToA <sup>5</sup>
			5.7		13.6	ns	SToB, C, D <sup>5</sup>
11	ODE to Output Data tri-state	$t_{\text{SOZ}}$			10	ns	SToA $C_L = 30\text{pF}$ , $R_L = 1\text{K}^5$
					11	ns	SToB, C, D $C_L = 30\text{pF}$ , $R_L = 1\text{K}^5$
12	ODE to Output Data Enable	$t_{\text{SOE}}$	4.5		15	ns	SToA <sup>5</sup>
			6		20	ns	SToB, C, D <sup>5</sup>

1. Characteristics are over recommended operating conditions unless otherwise stated.

2. All of these specifications refer to ST-BUS inputs and outputs with clock source set to  $\overline{\text{CKi}}$ .

3. Typical figures are at 25°C,  $V_{\text{DD\_CORE}}$  at 1.8 V and  $V_{\text{DD\_IO}}$  at 3.3 V and are for design aid only: not guaranteed and not subject to production testing.

4. Loads on all serial outputs set to 30 pF

5. High Impedance is measured by pulling to the appropriate rail with  $R_L$ , with timing corrected to cancel time taken to discharge  $C_L$ .

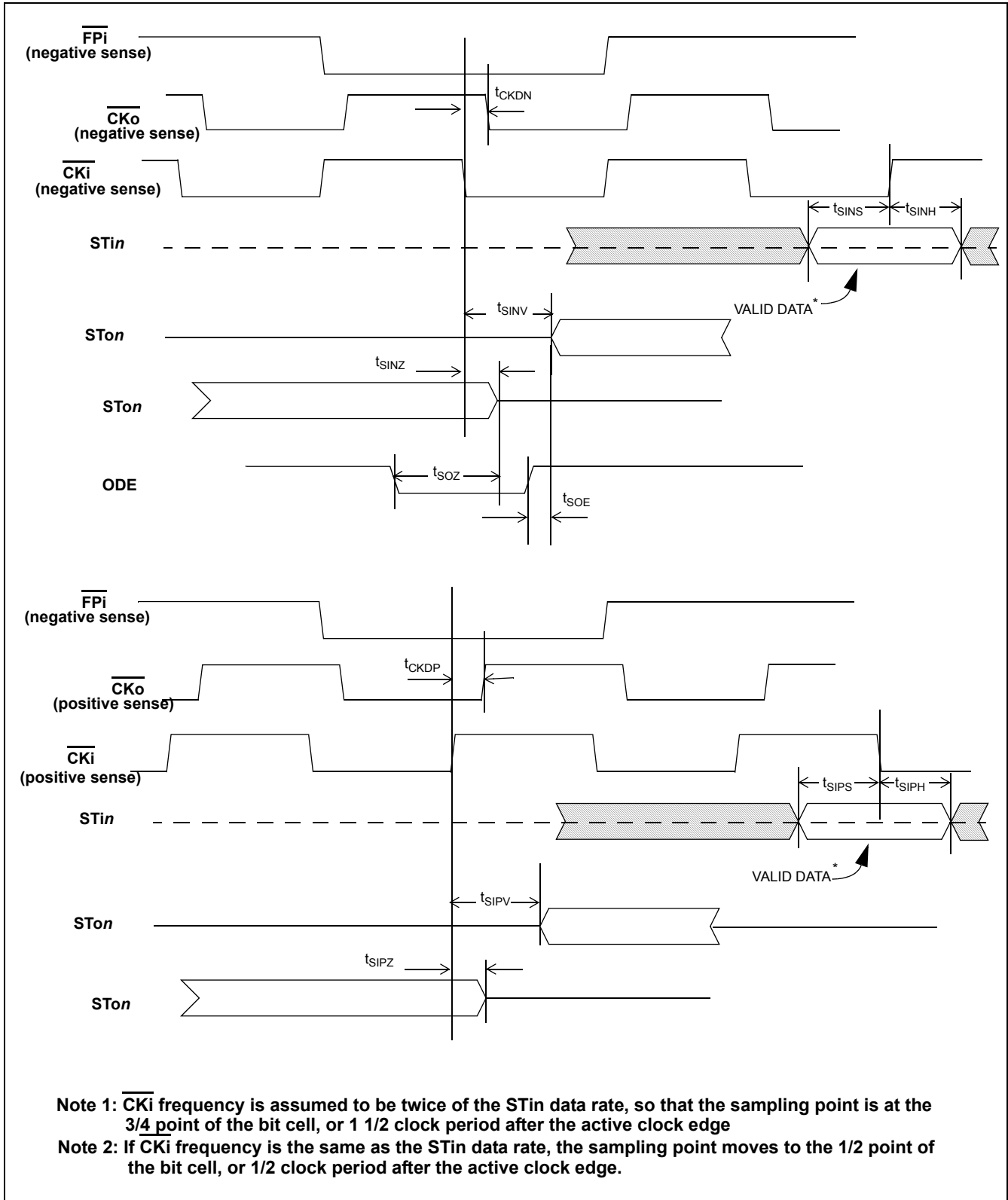


Figure 12 - Serial Data Timing to  $\overline{CKi}$

AC Electrical Characteristics - Serial Data Timing<sup>1</sup> to  $\overline{\text{CKo}}$ <sup>2</sup>

No.	Characteristic (Figure )	Sym.	Min.	Typ.	Max.	Units	Notes <sup>3</sup>
1	STi to posedge $\overline{\text{CKo}}$ setup	$t_{\text{SOPS}}$	7.3			ns	
2	STi to posedge $\overline{\text{CKo}}$ hold	$t_{\text{SOPH}}$	-2.0			ns	
3	STi to negedge $\overline{\text{CKo}}$ setup	$t_{\text{SONS}}$	7.3			ns	
4	STi to negedge $\overline{\text{CKo}}$ hold	$t_{\text{SONH}}$	-2.0			ns	
5	Posedge $\overline{\text{CKo}}$ to Output Data Valid	$t_{\text{SOPV}}$	0.1		2.7	ns	SToA <sup>4</sup>
			0		4.6	ns	SToB, C, D <sup>4</sup>
6	Negedge $\overline{\text{CKo}}$ to Output Data Valid	$t_{\text{SONV}}$	-1.2		1.7	ns	SToA <sup>4</sup>
			-1.6		3.7	ns	SToB, C, D <sup>4</sup>
7	Posedge $\overline{\text{CKo}}$ to Output Data tri-state	$t_{\text{SOPZ}}$	0.9		4.9	ns	SToA <sup>4</sup>
			0.1		5.1	ns	SToB, C, D <sup>4</sup>
8	Negedge $\overline{\text{CKo}}$ to Output Data tri-state	$t_{\text{SONZ}}$	0.4		4.7	ns	SToA <sup>4</sup>
			0		4.8	ns	SToB, C, D <sup>4</sup>

1. Data Capture points vary with respect to  $\overline{\text{CKo}}$  edge depending on clock rates & fractional delay settings.

2. All of these specifications refer to ST-BUS inputs, ST-BUS outputs and  $\overline{\text{CKo}}$  outputs set to internal clock source.

3. Typical figures are at 25°C,  $V_{\text{DD\_CORE}}$  at 1.8 V and  $V_{\text{DD\_IO}}$  at 3.3 V and are for design aid only: not guaranteed and not subject to production testing

4. Loads on all serial outputs set to 30 pF

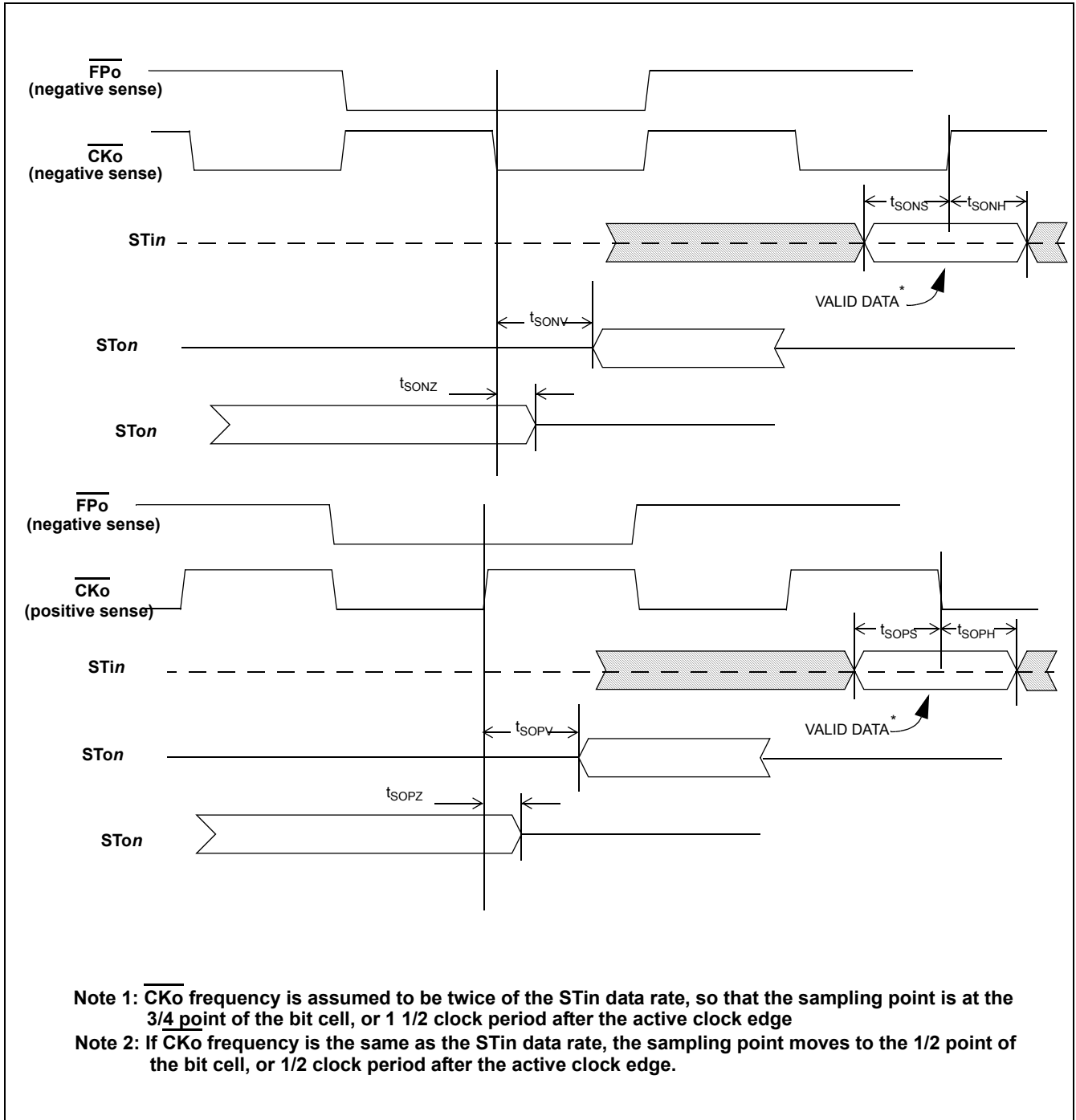


Figure 13 - Serial Data Timing to  $\overline{CKo}$

AC Electrical Characteristics -  $\overline{\text{CKo}}$  to Other  $\overline{\text{CKo}}$  <sup>1</sup>Skew

No.	Characteristic (Figure 12)	Sym.	Min.	Typ. <sup>2</sup>	Max.	Units	Notes
1	$\overline{\text{CKo1}}$ to $\overline{\text{CKo0}}$ skew	$t_{\text{CKOS1-0}}$	0		1.2	ns	
2	$\overline{\text{CKo2}}$ to $\overline{\text{CKo0}}$ skew	$t_{\text{CKOS2-0}}$	0		1.2	ns	
3	$\overline{\text{CKo1}}$ to $\overline{\text{CKo3}}$ skew	$t_{\text{CKOS1-3}}$	0		1.2	ns	
4	$\overline{\text{CKo2}}$ to $\overline{\text{CKo3}}$ skew	$t_{\text{CKOS2-3}}$	0		1.2	ns	
5	$\overline{\text{CKo3}}$ to $\overline{\text{CKo0}}$ skew	$t_{\text{CKOS3-0}}$	-0.6		0.6	ns	
6	$\overline{\text{CKo2}}$ to $\overline{\text{CKo1}}$ skew	$t_{\text{CKOS2-1}}$	-0.6		0.6	ns	

Note 1: All of these specifications refer to ST-BUS inputs, ST-BUS outputs and  $\overline{\text{CKo}}$  outputs set to internal clock source.

Note 2: Typical figures are at 25°C,  $V_{\text{DD\_CORE}}$  at 1.8 V and  $V_{\text{DD\_IO}}$  at 3.3 V and are for design aid only: not guaranteed and not subject to production testing.

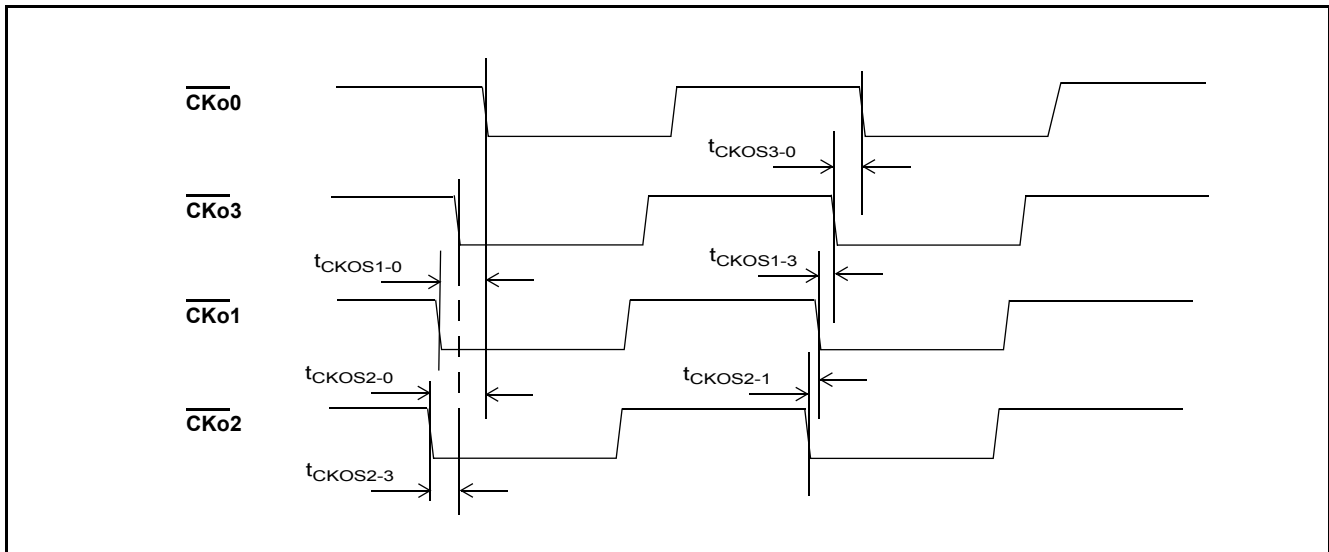


Figure 14 - CKo to other CKo Skew



## AC Electrical Characteristics - Microprocessor Bus Interface

No	Characteristics (Figure , & Figure 16)	Sym.	Min.	Typ. <sup>1</sup>	Max.	Units	Notes
1	$\overline{DS}$ Recovery	$t_{DSRE}$	5			ns	
2	$\overline{CS}$ Recovery	$t_{CSRE}$	0			ns	
3	$\overline{CS}$ asserted setup to $\overline{DS}$ asserted	$t_{CSS}$	0			ns	
4	Address, SIZ0-1, $\overline{R/W}$ setup to $\overline{DS}$ asserted	$t_{ADS}$	0			ns	
5	$\overline{CS}$ hold from $\overline{DS}$ deasserted	$t_{CSH}$	0			ns	
6	Address, SIZ0-1, $\overline{R/W}$ hold from $\overline{DS}$ deasserted	$t_{ADH}$	0			ns	
7	Data valid to $\overline{DTA}$ asserted on read	$t_{DSR}$	0			ns	$C_L = 50 \text{ pF}$ , $R_L = 1 \text{ k}^2$
8	$\overline{CS}$ deasserted to Data tri-stated on read	$t_{DZ}$			5	ns	$C_L = 50 \text{ pF}$ , $R_L = 1 \text{ k}^2$
9	Data setup to $\overline{DS}$ asserted on write	$t_{WDS}$	0			ns	
10	$\overline{CS}$ asserted to $\overline{WAIT}$ deasserted	$t_{CSWA}$			9	ns	$C_L = 30 \text{ pF}$ , $R_L = 1 \text{ K}^2$
11	Data hold from $\overline{DTA}$ asserted on write	$t_{DHW}$	0			ns	
12	$\overline{DS}$ asserted to $\overline{WAIT}$ Asserted	$t_{WDD}$			9	ns	$C_L = 50 \text{ pF}$ , $R_L = 1 \text{ k}^2$
13	$\overline{WAIT}$ deasserted to $\overline{DTA/BERR}$ asserted skew	$t_{AKS}$	0		10	ns	$C_L = 50 \text{ pF}$ , $R_L = 1 \text{ k}^2$
14	$\overline{DS}$ asserted to $\overline{DTA}$ Asserted	$t_{AKD}$	35		155	ns	Connection Memory
			50		75	ns	All other registers
15	$\overline{DS}$ deasserted to $\overline{DTA}$ Deasserted	$t_{AKH}$			7	ns	$C_L = 30 \text{ pF}$ , $R_L = 1 \text{ K}^2$
16	$\overline{CS}$ deasserted to $\overline{DTA}$ tri-stated	$t_{DTHZ}$			13	ns	$C_L = 30 \text{ pF}$ , $R_L = 1 \text{ K}^2$
17	$\overline{CS}$ deasserted to $\overline{WAIT}$ tri-stated	$t_{WAHZ}$			6	ns	$C_L = 30 \text{ pF}$ , $R_L = 1 \text{ K}^2$
18	$\overline{BE}$ or $\overline{UDS/LDS}$ skew	$t_{DSK}$			20	ns	
19	$\overline{BE}$ or $\overline{UDS/LDS}$ to $\overline{DS}$ set-up	$t_{BEDS}$	0				

1. Typical figures are at 25°C,  $V_{DD\_CORE}$  at 1.8 V and  $V_{DD\_IO}$  at 3.3 V and are for design aid only: not guaranteed and not subject to production testing

2. High Impedance is measured by pulling to the appropriate rail with  $R_L$ , with timing corrected to cancel time taken to discharge  $C_L$ .

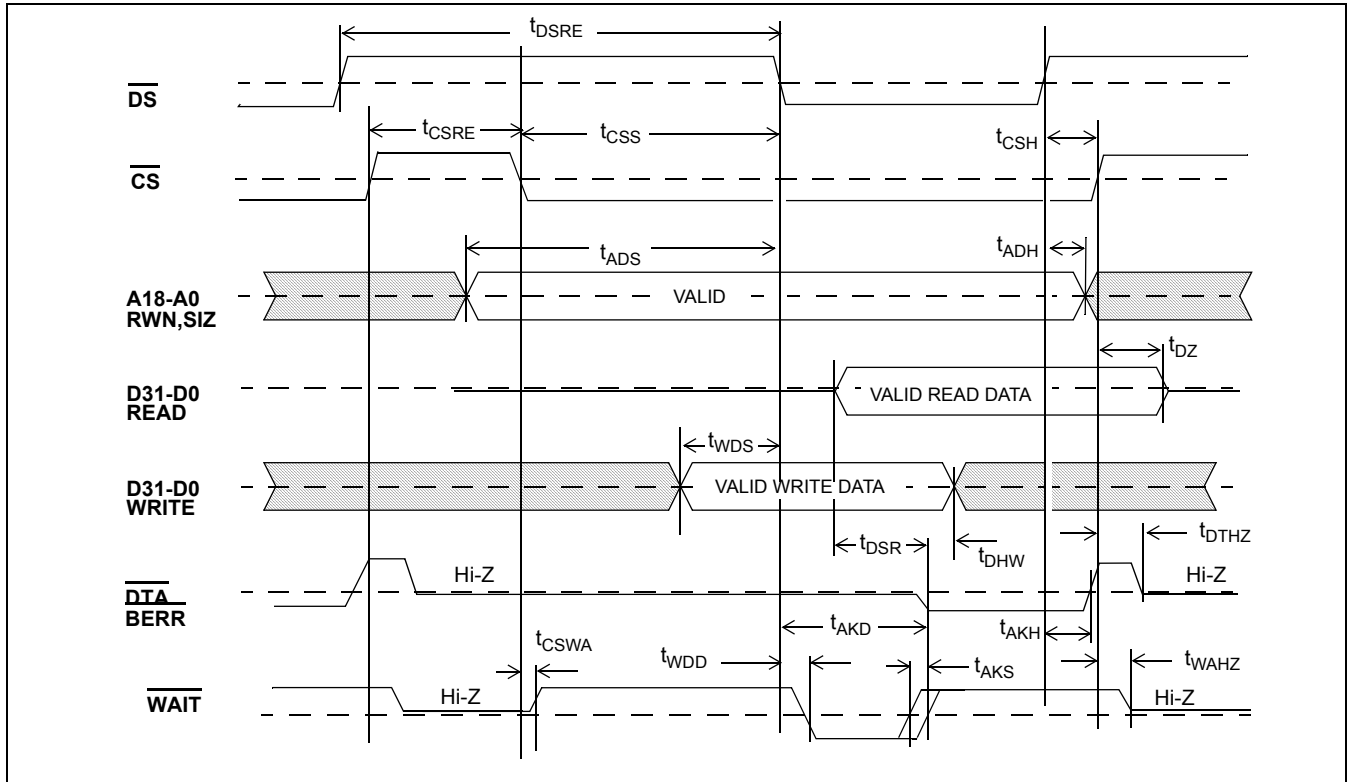


Figure 15 - Microprocessor Bus Interface Timing

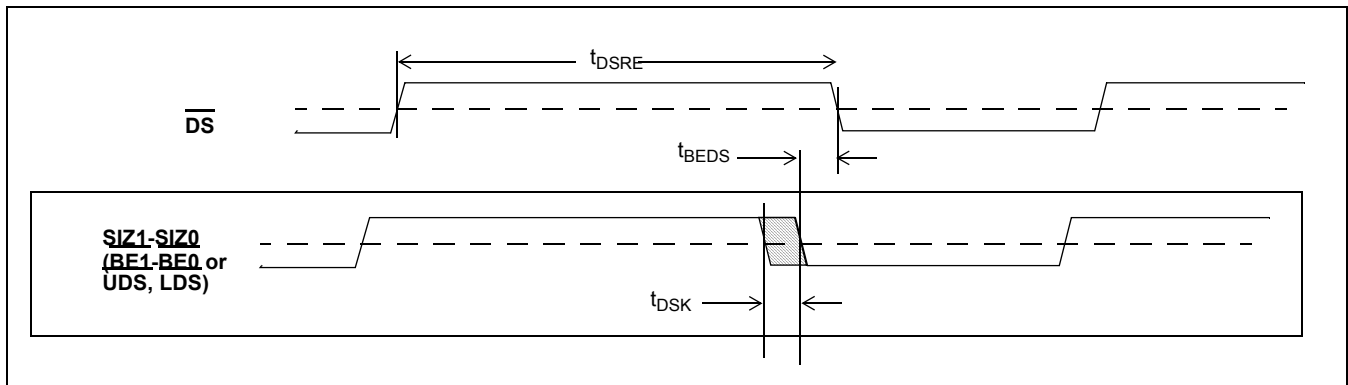
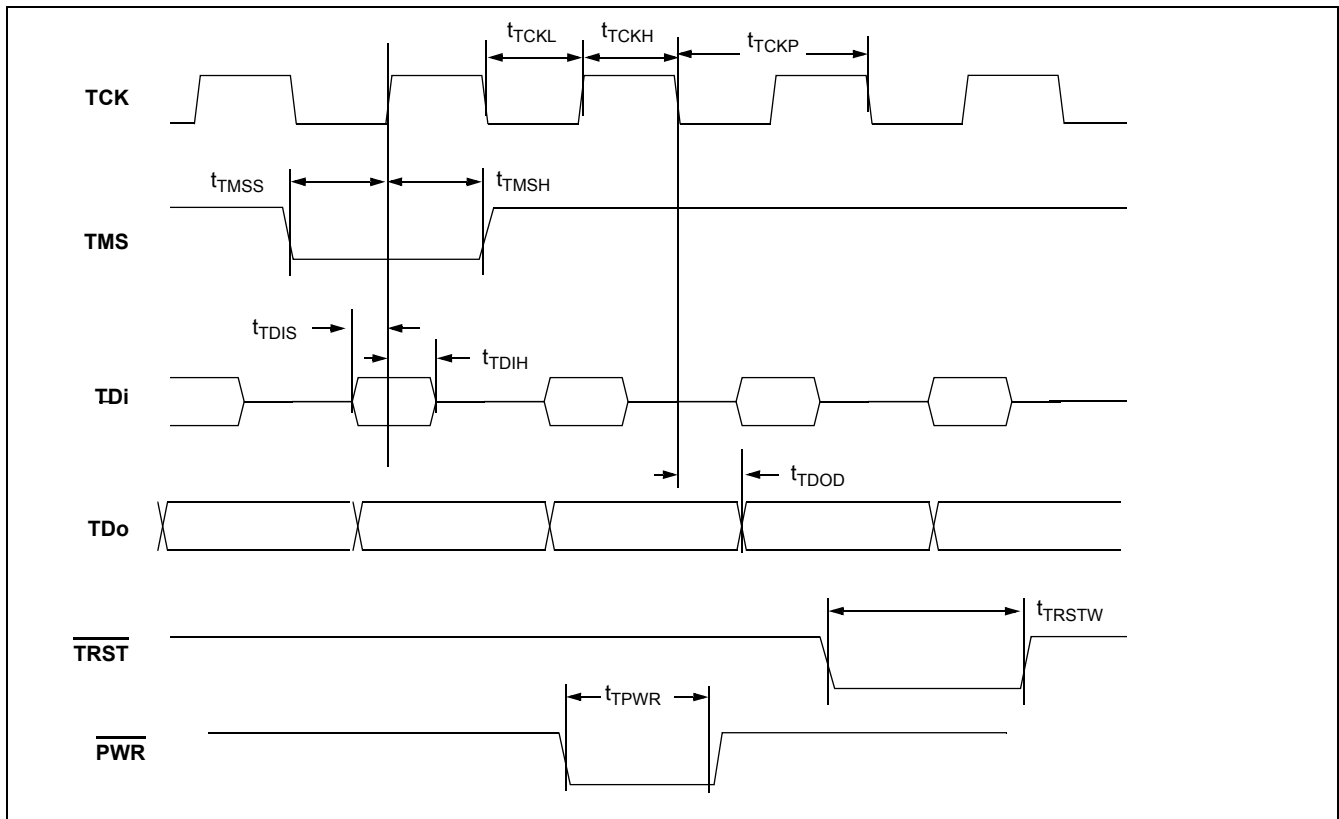


Figure 16 - Intel Mode Timing

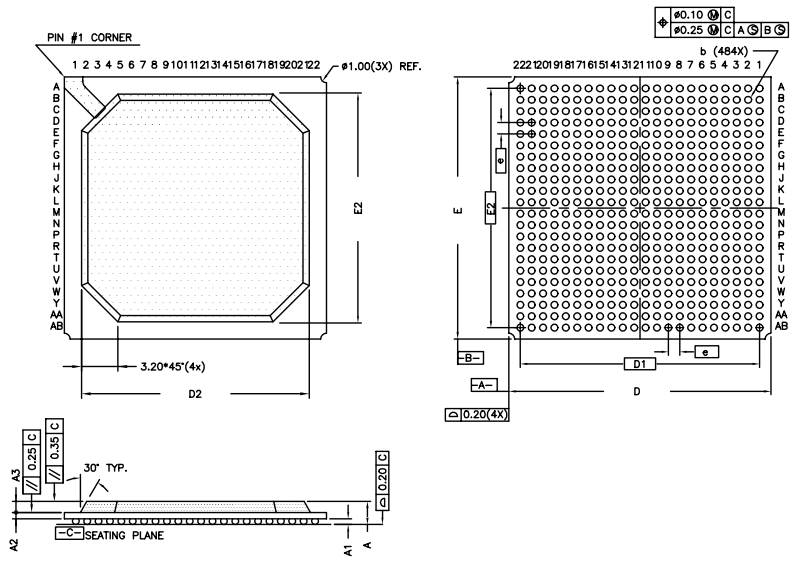
**AC Electrical Characteristics<sup>1</sup> - JTAG Test Port and Reset Pin Timing**

No.	Characteristic (Figure 17)	Sym.	Min.	Typ.	Max.	Units	Notes
1	TCK Clock Period	$t_{TCKP}$	100			ns	
2	TCK Clock Frequency	$t_{TCKF}$			10	MHz	
3	TCK Clock Pulse Width High	$t_{TCKH}$	20			ns	
4	TCK Clock Pulse Width Low	$t_{TCKL}$	20			ns	
5	TMS Set-up Time	$t_{TMSS}$	10			ns	
6	TMS Hold Time	$t_{TMSh}$	10			ns	
7	TDi Input Set-up Time	$t_{TDis}$	20			ns	
8	TDi Input Hold Time	$t_{TDiH}$	60			ns	
9	TDo Output Delay	$t_{TDOD}$			20	ns	$C_L = 30\text{ pF}$
10	$\overline{\text{TRST}}$ pulse width	$t_{TRSTW}$	20			ns	
11	$\overline{\text{PWR}}$ pulse width	$t_{TPWR}$	20			ns	

1. Characteristics are over recommended operating conditions unless otherwise stated.



**Figure 17 - JTAG Test Port & PWR Reset Timing**



SYMBOL	MILLIMETER		
	MIN	NOM	MAX
A	1.90	2.03	2.16
A1	0.40	0.50	0.60
A2	0.56 Ref.		
A3	0.97 Ref.		
b	0.50	0.60	0.70
D	22.80	23.00	23.20
D1	21.00 Ref.		
D2	20.00 Ref.		
E	22.80	23.00	23.20
E1	21.00 Ref.		
E2	20.00 Ref.		
e	1.00 Ref.		

Confirms to JEDEC MS-034  
AAJ-1 iss. A

**NOTE:**

1. ALL DIMENSIONS AND TOLERANCES CONFORM TO ANSI Y14.5M-1982.
2. DIMENSION "b" IS MEASURED AT THE MAXIMUM SOLDER BALL DIAMETER
3. PRIMARY DATUM  $\boxed{-C-}$  AND SEATING PLANE ARE DEFINED BY THE SPHERICAL CROWNS OF THE SOLDER BALLS.
4. ALL DIMENSIONS ARE IN MILLIMETERS.
5. NOT TO SCALE.
6. DETAILS OF A1 CORNER ARE OPTIONAL, AND MAY CONSIST OF INK DOT, LASER MARK OR METALISED MARKING, BUT MUST BE LOCATED WITHIN ZONE INDICATED.

© Zarlink Semiconductor 2003 All rights reserved.				
ISSUE	1			
ACN				
DATE	15 Jul 03			
APPRD.				



Package Code	GA
Previous package codes	Package Outline for 484, PBGA (23x23)mm, 1.00 Pitch
	100770



**For more information about all Zarlink products  
visit our Web Site at  
[www.zarlink.com](http://www.zarlink.com)**

Information relating to products and services furnished herein by Zarlink Semiconductor Inc. or its subsidiaries (collectively "Zarlink") is believed to be reliable. However, Zarlink assumes no liability for errors that may appear in this publication, or for liability otherwise arising from the application or use of any such information, product or service or for any infringement of patents or other intellectual property rights owned by third parties which may result from such application or use. Neither the supply of such information or purchase of product or service conveys any license, either express or implied, under patents or other intellectual property rights owned by Zarlink or licensed from third parties by Zarlink, whatsoever. Purchasers of products are also hereby notified that the use of product in certain ways or in combination with Zarlink, or non-Zarlink furnished goods or services may infringe patents or other intellectual property rights owned by Zarlink.

This publication is issued to provide information only and (unless agreed by Zarlink in writing) may not be used, applied or reproduced for any purpose nor form part of any order or contract nor to be regarded as a representation relating to the products or services concerned. The products, their specifications, services and other information appearing in this publication are subject to change by Zarlink without notice. No warranty or guarantee express or implied is made regarding the capability, performance or suitability of any product or service. Information concerning possible methods of use is provided as a guide only and does not constitute any guarantee that such methods of use will be satisfactory in a specific piece of equipment. It is the user's responsibility to fully determine the performance and suitability of any equipment using such information and to ensure that any publication or data used is up to date and has not been superseded. Manufacturing does not necessarily include testing of all functions or parameters. These products are not suitable for use in any medical products whose failure to perform may result in significant injury or death to the user. All products and materials are sold and services provided subject to Zarlink's conditions of sale which are available on request.

Purchase of Zarlink's I<sup>2</sup>C components conveys a licence under the Philips I<sup>2</sup>C Patent rights to use these components in and I<sup>2</sup>C System, provided that the system conforms to the I<sup>2</sup>C Standard Specification as defined by Philips.

Zarlink, ZL and the Zarlink Semiconductor logo are trademarks of Zarlink Semiconductor Inc.

Copyright Zarlink Semiconductor Inc. All Rights Reserved.

**TECHNICAL DOCUMENTATION - NOT FOR RESALE**