



M8282/M8283 OCTAL LATCH *Military*

- Fully Parallel 8-Bit Data Register and Buffer
- Transparent During Active Strobe
- Supports M8085AH, M8048AH, M8086, M8088 and M80186
- High Output Drive Capability for Driving System Data Bus
- 3-State Outputs
- No Output Low Noise When Entering or Leaving High Impedance State
- Military Temperature Range: -55°C to +125°C (T_C)

The M8282 and M8283 are 8-bit bipolar latches with 3-state output buffers. They can be used to implement latches, buffers, or multiplexers. The M8283 inverts the input data at its outputs while the M8282 does not. Thus, all of the principal peripheral and input/output functions of a microcomputer system can be implemented with these devices.

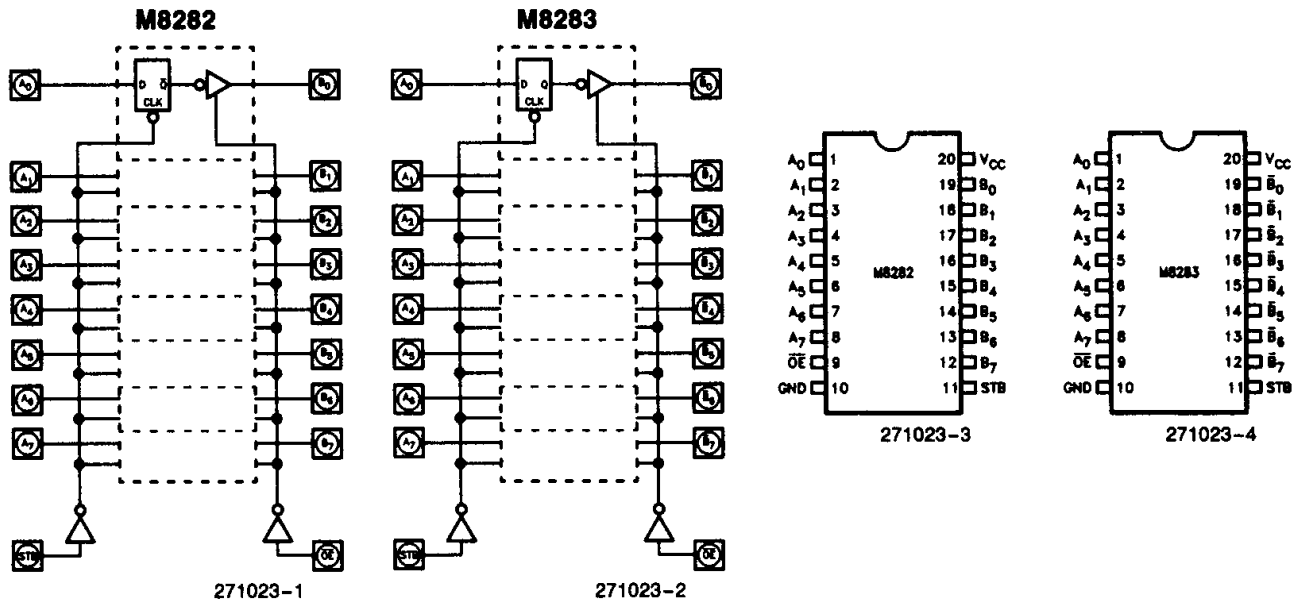


Figure 1. Logic Diagrams

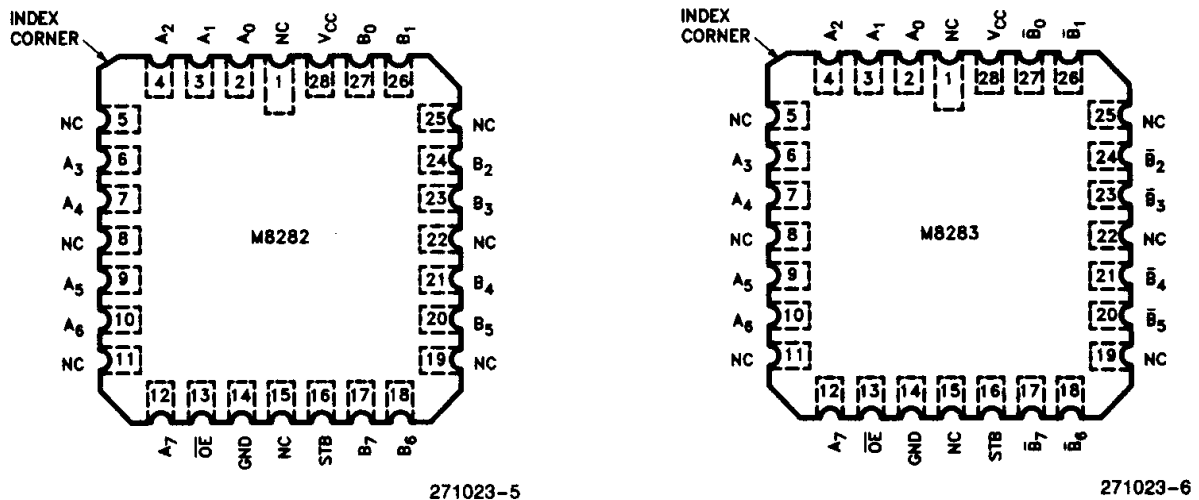


Figure 2. Pin Configurations

Table 1. Pin Description

Symbol	Type	Name and Function
STB	I	STROBE: STB is an input control pulse used to strobe data at the data input pins (A ₀ –A ₇) into the data latches. This signal is active HIGH to admit input data. The data is latched at the HIGH to LOW transition of STB.
\overline{OE}	I	OUTPUT ENABLE: \overline{OE} is an input control signal which when active LOW enables the contents of the data latches onto the data output pin (B ₀ –B ₇). \overline{OE} being inactive HIGH forces the output buffers to their high impedance state.
A ₀ –A ₇	I	DATA INPUT PINS: Data presented at these pins satisfying setup time requirements when STB is strobed is latched into the data input latches.
B ₀ –B ₇ M8282 $\overline{B_0}$ – $\overline{B_7}$ M8283	O	DATA OUTPUT PINS: When \overline{OE} is true, the data in the data latches is presented as inverted (M8283) or non-inverted (M8282) data onto the data output pins.

FUNCTIONAL DESCRIPTION

The M8282 and M8283 octal latches are 8-bit latches with 3-state output buffers. Data having satisfied the setup time requirements is latched into the data latched by strobing the STB line HIGH to LOW.

Holding the STB line in its active HIGH state makes the latches appear transparent. Data is presented to the data output pins by activating the \overline{OE} input line. When \overline{OE} is inactive HIGH the output buffers are in their high impedance state. Enabling or disabling the output buffers will not cause negative-going transients to appear on the data output bus.

ABSOLUTE MAXIMUM RATINGS*

Case Temperature Under Bias⁽²⁾. –55°C to +125°C
 Storage Temperature –65°C to +150°C
 All Output and Supply Voltages –0.5V to +7V
 All Input Voltages –1.0V to +5.5V
 Power Dissipation 1W

**Notice: Stresses above those listed under "Absolute Maximum Ratings" may cause permanent damage to the device. This is a stress rating only and functional operation of the device at these or any other conditions above those indicated in the operational sections of this specification is not implied. Exposure to absolute maximum rating conditions for extended periods may affect device reliability.*

D.C. CHARACTERISTICS $V_{CC} = 5V \pm 5\%$, $T_C^{(2)} = -55^\circ C$ to $+125^\circ C$

Symbol	Parameter	Min	Max	Units	Test Conditions
V _C	Input Clamp Voltage		–1	V	I _C = –5 mA
I _{CC}	Power Supply Current		160	mA	
I _F	Forward Input Current		–0.2	mA	V _F = 0.45V
I _R	Reverse Input Current		50	μA	V _R = 5.25V
V _{OL}	Output Low Voltage		0.45	V	I _{OL} = 20 mA
V _{OH}	Output High Voltage	2.4		V	I _{OH} = –5 mA
I _{OFF}	Output Off Current		±50	μA	V _{OFF} = 0.45 to 5.25V
V _{IL}	Input Low Voltage		0.8	V	V _{CC} = 5.0V (Note 1)
V _{IH}	Input High Voltage	2.0		V	V _{CC} = 5.0V (Note 1)
C _{IN}	Input Capacitance		12	pF	F = 1 MHz V _{BIAS} = 2.5V, V _{CC} = 5V T _C = 25°C

NOTE:

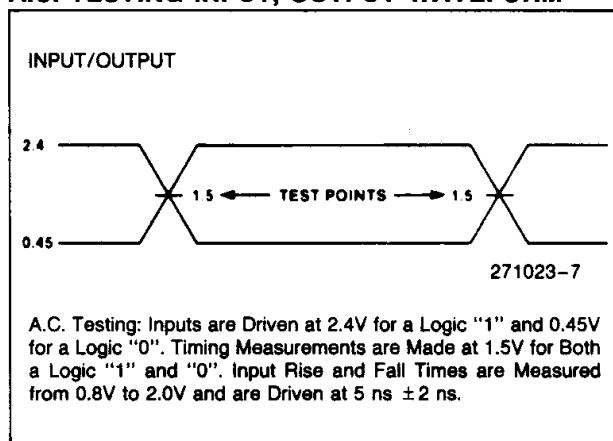
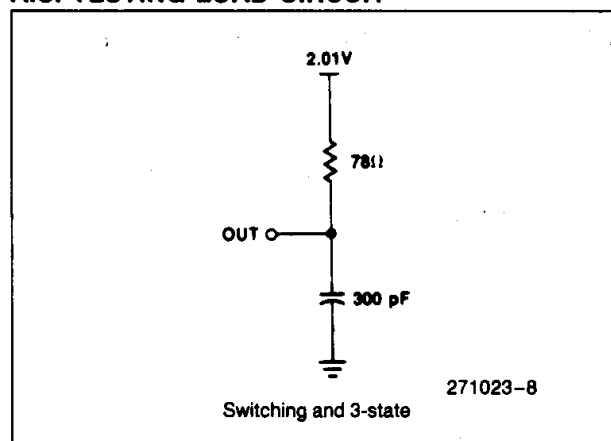
- Output Loading I_{OL} = 20 mA, I_{OH} = –5 mA, C_L = 300 pF
- Case Temperatures are "instant on."

A.C. CHARACTERISTICS $V_{CC} = 5V \pm 5\%$, $T_C^{(2)} = -55^\circ\text{C}$ to $+125^\circ\text{C}$
 Loading: Outputs— $I_{OL} = 20\text{ mA}$, $I_{OH} = -5\text{ mA}$, $C_L = 300\text{ pF}$

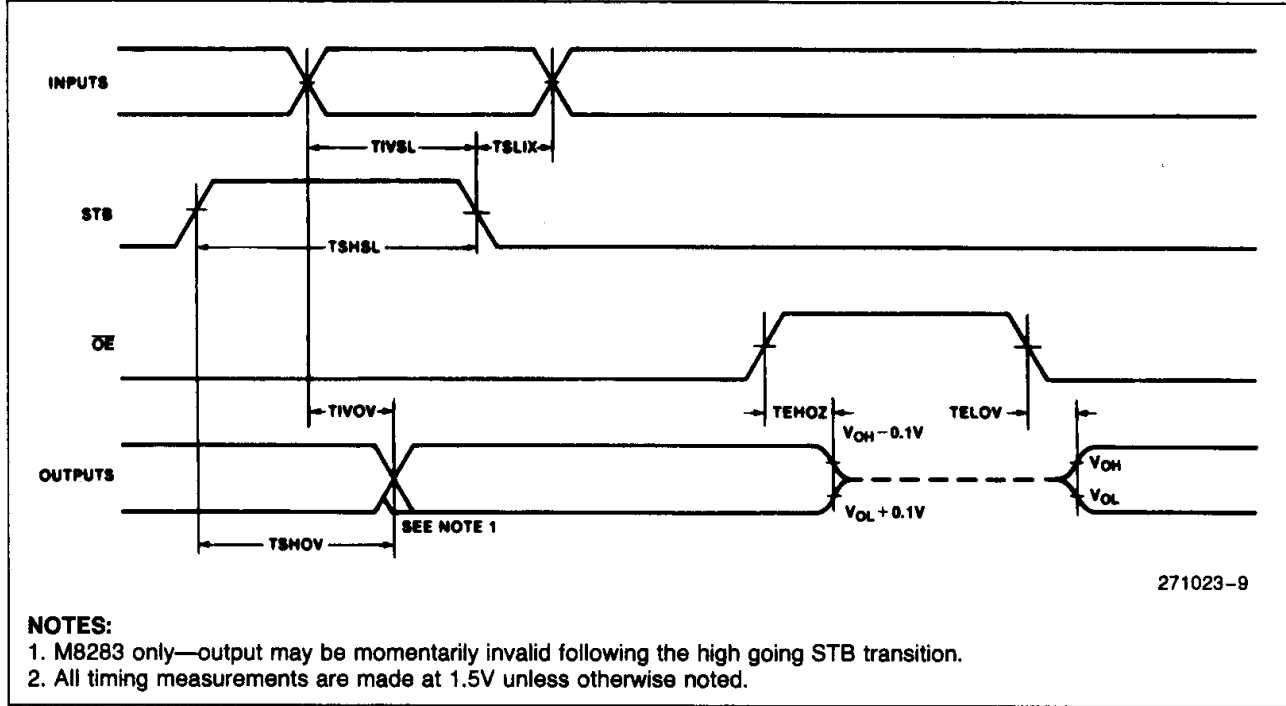
Symbol	Parameter	Min	Max	Units	Test Conditions
TIVOV	Input to Output Delay				(Note 1)
	Inverting		25	ns	
	Non-Inverting		35	ns	
TSHOV	STB to Output Delay				
	Inverting		45	ns	
	Non-Inverting		55	ns	
TEHOZ	Output Disable Time		25	ns	
TELOV	Output Enable Time	10	50	ns	
TIVSL	Input to STB Setup Time	0		ns	
TSLIX	Input to STB Hold Time	25		ns	
TSHSL	STB High Time	15		ns	
TOLOH	Output Rise Time		20	ns	From 0.8V to 2.0V
TOHOL	Output Fall Time		12	ns	From 2.0V to 0.8V

NOTES:

1. See waveforms and test load circuit on following page.
2. Case temperatures are "instant on".

A.C. TESTING INPUT, OUTPUT WAVEFORM

A.C. TESTING LOAD CIRCUIT


WAVEFORMS



NOTES:

1. M8283 only—output may be momentarily invalid following the high going STB transition.
2. All timing measurements are made at 1.5V unless otherwise noted.