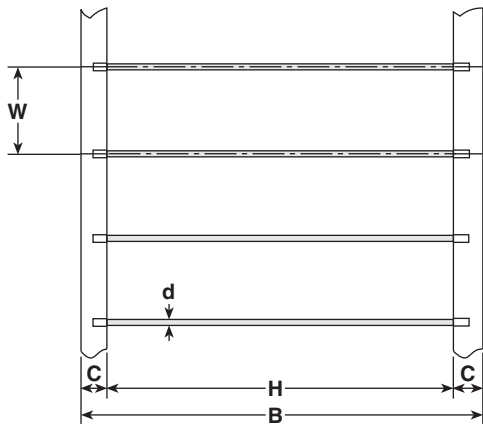


features

- Suitable for automatic machine insertion
- No rating
- Products with lead-free terminations meet EU RoHS and China RoHS requirements

dimensions and construction



| T52 Type | Dimensions inches (mm) | | | | |
|----------|-------------------------|-------------------------|------------------------|------------------------|---------------|
| | H | B | C | W | d nominal |
| JL5 | | | | | .02 (0.5) |
| JL6 | 2.05±.039 (52.0±1.0) | 2.56±.039 (65.0±1.0) | .244±.002 (6.2±0.5) | .2±.015 (5.08±0.38) | .024 (0.6) |
| JL8 | | | | | .031 (0.8) |

| T26 Type | Dimensions inches (mm) | | | | |
|----------|---|-------------------------|------------------------|-------------------------|---------------|
| | H | B | C | W | d nominal |
| JL5 | | | | | .02 (0.5) |
| JL6 | 1.02 ^{+0.002} ₋₀ (26.0 ⁺¹ ₋₀) | 1.54±.002 (39.0±1.0) | .244±.002 (6.2±0.5) | .1972±.002 (5.0±0.5) | .024 (0.6) |
| JL8 | | | | | .031 (0.8) |

applications and ratings

| Part Designation | Maximum Resistance | Maximum Current Ratings |
|------------------|--------------------|-------------------------|
| JL5 | 10mΩ | 8 Amps |
| JL6 | | 10 Amps |
| JL8 | | 15 Amps |

ordering information

| | | | | | |
|------------|------|--|--|--------------------|-----------|
| New Part # | JL | 8 | C | T52 | A |
| | Type | Nominal Diameter | Termination Material | Taping and Forming | Packaging |
| | | 5 (24 gauge) 6 (22 gauge) 8 (20 gauge) | C: SnCu (Other termination styles available, contact factory for options) | T26, T52 | A: Ammo |

For further information on packaging, please refer to Appendix C.