

VERY LOW POWER MICROPROCESSOR RESET DEVICES

DESCRIPTION

The ZXCM209/210 are three terminal supervisory circuits used to monitor the power supplies in microprocessor and digital systems. They provide a high performance economical solution when used with 5V, 3V or lower powered circuits. Reset thresholds suitable for operation with a variety of supply voltages are available.

These devices provide a reset signal whenever the supply voltage falls below a preset threshold, keeping it asserted for a minimum delay period of 140ms after the supply has risen above the reset level. The ZXCM209 has an active-low RESET output (which is guaranteed to be in the correct state for supplies down to 1V), while the ZXCM210 has an active-high RESET output.

The reset comparator has in built hysteresis to prevent erratic operation and is designed to ignore supply transients. Low supply current (typically 2 μ A) makes the ZXCM209/210 devices ideal for use in portable equipment. They are available in a 3-pin SOT23 surface mount package with an industry standard pinout.

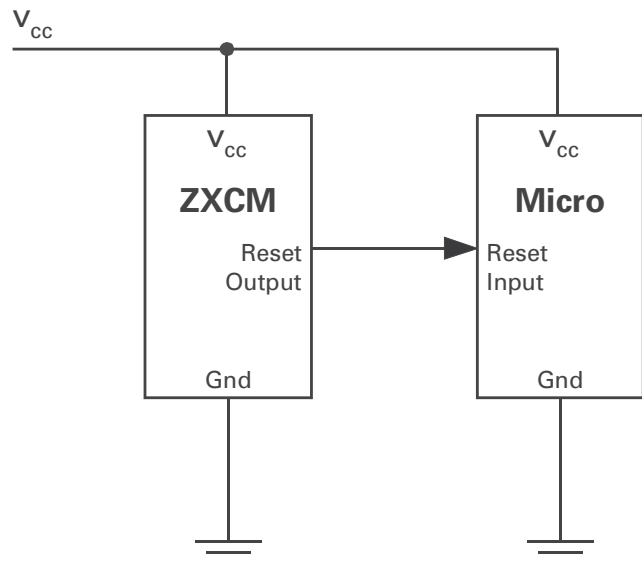
FEATURES

- Enhanced alternative to MAX809/810 and similar parts
- Precision monitoring of 5V, 3.3V, 3V power supply voltages
- 1% threshold tolerance
- 2 μ A typical supply current
- 140ms minimum power on reset pulse width
- Alternative minimum pulse widths available, contact your local sales office for availability
- RESET LOW Output (ZXCM209)
- RESET HIGH Output (ZXCM210)
- Power supply transient immunity
- No latch up
- No external components
- 3-Pin SOT23 package

APPLICATIONS

- Computer systems
- Controllers
- Instrumentation
- Microprocessor power monitoring
- Microcontroller power monitoring
- Power supplies
- Portable/Battery-powered equipment
- Automotive

APPLICATION CIRCUIT



ZXCM209

ZXCM210

ABSOLUTE MAXIMUM RATINGS

Terminal Voltage with respect to G_{ND}

V_{CC}	-0.3V to 7.0V
RESET, $\overline{\text{RESET}}$	-0.3V to ($V_{CC} + 0.3V$)
Input Current, V_{CC}	20mA
Output Current	20mA
Rate of Rise, V_{CC}	250V/ μ s
Continuous Power Dissipation	500mW
Operating Temperature Range	-55°C to +125°C
Storage Temperature Range	-65°C to +150°C

Stresses beyond those listed under "Absolute Maximum Ratings" may cause permanent damage to the device. These are stress ratings only, and functional operation of the device at these or any other conditions beyond those indicated in the operational sections of the specifications is not implied. Exposure to absolute maximum conditions for extended periods may affect device reliability.

ELECTRICAL CHARACTERISTICS

TEST CONDITIONS (unless otherwise stated) V_{CC} = full range, T_A = -55°C to +125°C

SYMBOL	PARAMETER	CONDITIONS	LIMITS			UNITS
			MIN	TYP	MAX	
V_R	V_{CC} Range	$T_A=0^\circ$ to 70°C	1.0		5.5	V
		$T_A=-55^\circ$ to 125°C	1.2		5.5	V
I_{CC}	Supply Current			2	5	μA
V_{TH}	Reset Threshold	Suffix L; $T_A=25^\circ\text{C}$	4.58	4.63	4.68	V
		Suffix M; $T_A=25^\circ\text{C}$	4.34	4.38	4.42	V
		Suffix J; $T_A=25^\circ\text{C}$	3.96	4.00	4.04	V
		Suffix T; $T_A=25^\circ\text{C}$	3.05	3.08	3.11	V
		Suffix S; $T_A=25^\circ\text{C}$	2.90	2.93	2.96	V
		Suffix R; $T_A=25^\circ\text{C}$	2.60	2.63	2.66	V
V_{THT}	Reset Threshold Tolerance	$T_A=25^\circ\text{C}$ $T_A=-55^\circ$ to 125°C		1	5	% %
$\Delta V_{TH}/^\circ\text{C}$	Reset Threshold Temp. Coefficient			50		ppm/ $^\circ\text{C}$
V_D	V_{CC} to Reset Delay			30		μs
V_{TO}	Reset Active Timeout Period		140		560	ms

ELECTRICAL CHARACTERISTICS ZXCM209

TEST CONDITIONS (unless otherwise stated) V_{CC} = full range, T_A = -55°C to +125°C

SYMBOL	PARAMETER	CONDITIONS	LIMITS			UNITS
			MIN	TYP	MAX	
V_{OL}	Reset Output Voltage Low	$V_{CC} > 1V, I_{OL} = 100\mu A$ (0 to 85°C)			0.3	V
		$V_{CC} > 1.2V, I_{OL} = 200\mu A$			0.3	V
		$V_{TH} > V_{CC} > 2.5V, I_{OL} = 2.7mA$			0.4	V
V_{OH}	Reset Output Voltage High	$V_{CC} > V_{THmax}, I_{OH} = 1mA$	$0.8V_{CC}$			V

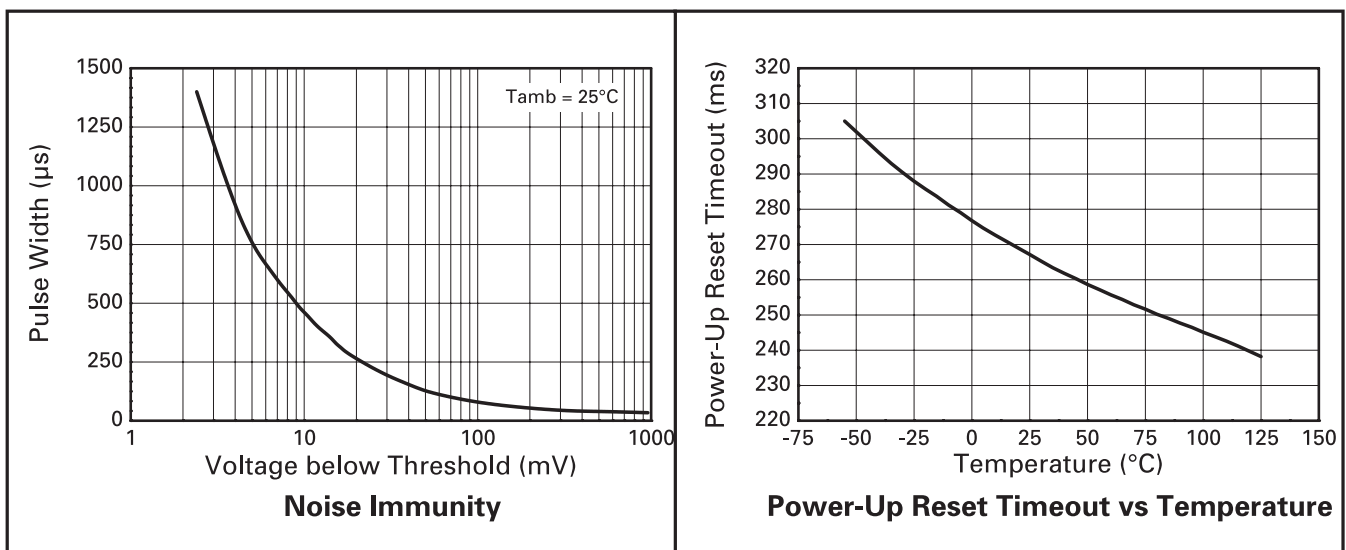
ELECTRICAL CHARACTERISTICS ZXCM210

TEST CONDITIONS (unless otherwise stated) V_{CC} = full range, T_A = -55°C to +125°C

SYMBOL	PARAMETER	CONDITIONS	LIMITS			UNITS
			MIN	TYP	MAX	
V_{OL}	Reset Output Voltage Low	$V_{CC} > V_{THmax}, I_{OL} = 2mA$			0.3	V
		$V_{CC} > V_{THmax}, I_{OL} = 2.7mA$			0.4	V
V_{OH}	Reset Output Voltage High	$V_{CC} > 1.5V, I_{OH} = 150\mu A$	$0.8V_{CC}$			V
		$V_{CC} > V_{TH} > 2.5V, I_{OH} = 1mA$	$0.8V_{CC}$			V

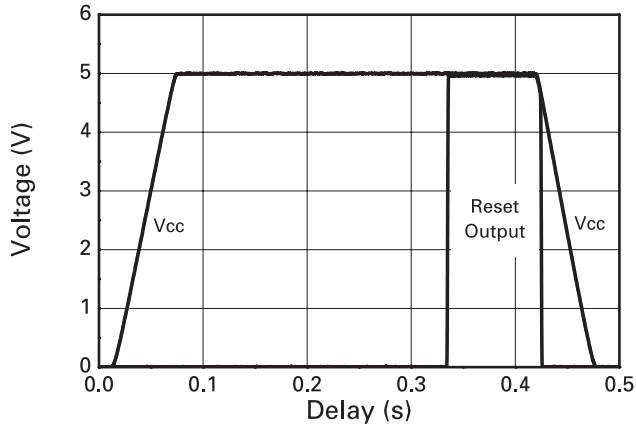
Note: Device testing is performed at $T_A = 25^\circ C$. Device thermal performance is guaranteed by design

TYPICAL CHARACTERISTICS

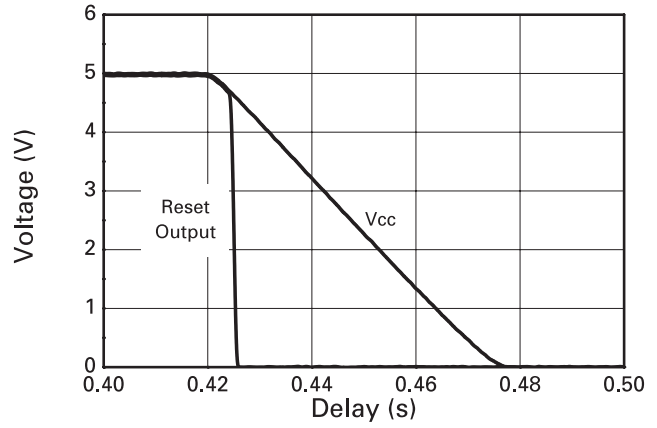


ZXCM209 ZXCM210

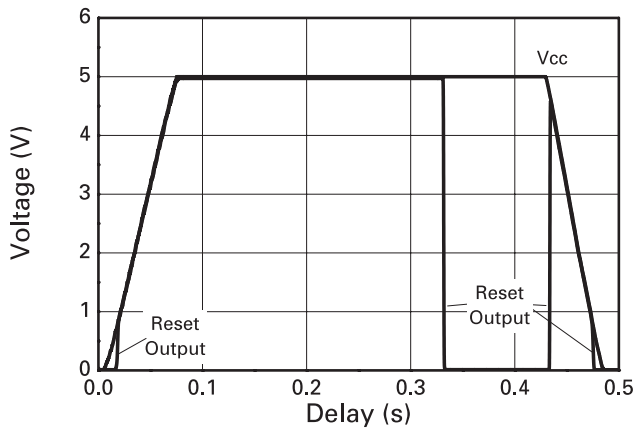
TYPICAL CHARACTERISTICS



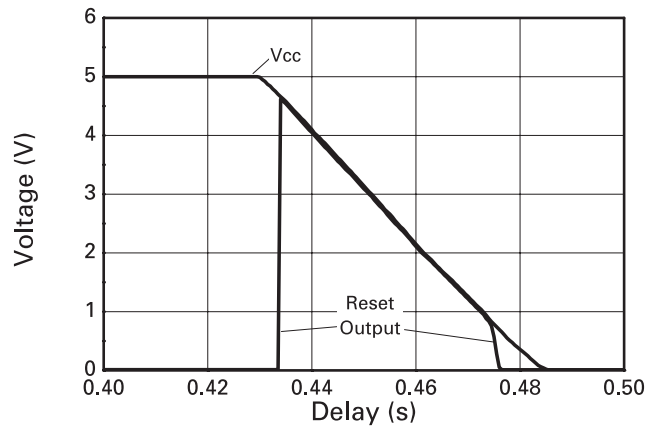
Reset Switching Characteristics - ZXCM209L



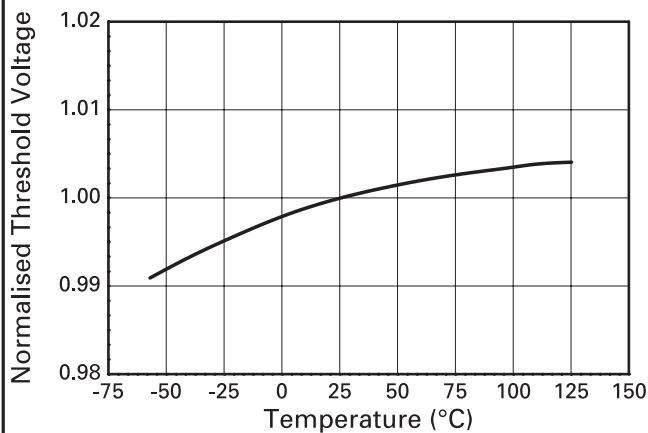
Reset Low Switching Characteristic - ZXCM209L



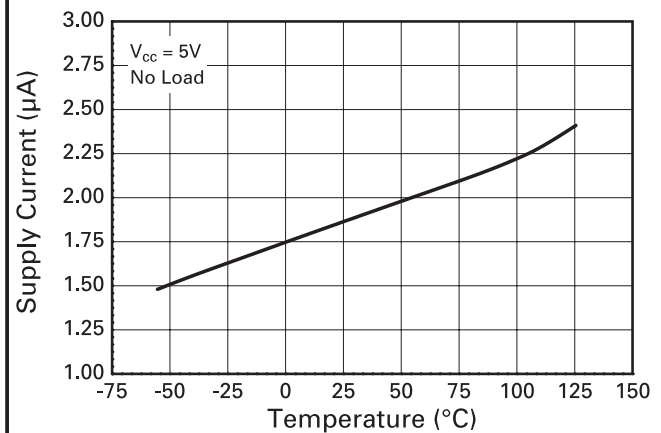
Reset Switching Characteristics - ZXCM210L



Reset Low Switching Characteristic - ZXCM210L



Normalised Threshold Voltage vs Temperature



Supply Current vs Temperature

APPLICATIONS INFORMATION

Negative going V_{cc} transients

The ZXCM209/210 are, to a good degree, immune to short duration negative going supply transients. Under certain circumstances very brief transients are allowed without inappropriate false triggering of the reset circuit. The response to supply transients is shown in the Noise Immunity graph in the typical characteristics. The graph indicates the typical allowable transient duration for a specified threshold overdrive such that a reset pulse is not generated. Addition of a bypass capacitor, e.g. $0.1\mu\text{F}$, as close as possible to the V_{cc} pin will provide extra transient immunity.

Reset valid down to very low supply voltages

With V_{cc} between 0V and 1V the output of the ZXCM209/210 may be in an undefined state. In many systems this is inconsequential as the microprocessor, and other circuits, will be inoperative with supplies this low. In applications where this is important, the addition of an external resistor ensures that the reset output remains valid for $V_{cc} < 1\text{V}$. The resistor value is non critical: a value of $100\text{k}\Omega$ is recommended. For the ZXCM209 the resistor should be applied between reset output and ground: for the ZXCM210 between reset output and V_{cc} . Figure 1 shows the connection diagram for the ZXCM devices in these configurations.

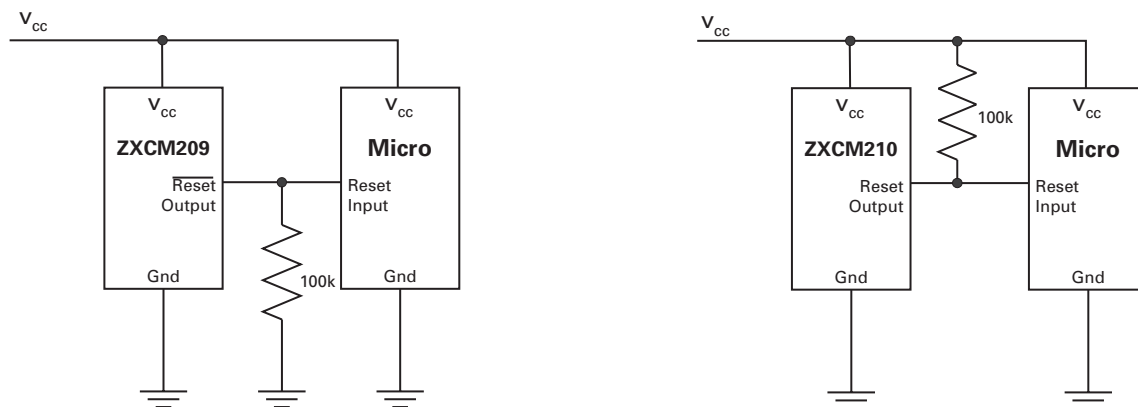


Figure 1

Circuit for operation of ZXCM with reset valid down to very low supply voltage.

ZXCM209 ZXCM210

Interfacing to μP 's with bidirectional reset I/O

The ZXCM series can be used with microprocessors having bidirectional reset pins, such as Motorola 68HC11 series. The addition of a 4.7k resistor between the ZXCM reset output and the processor input ensures correct

operation of the reset circuit. A buffer to other circuit components is then required to enable the processor reset drive to operate correctly. The circuit configuration is shown in Figure 2.

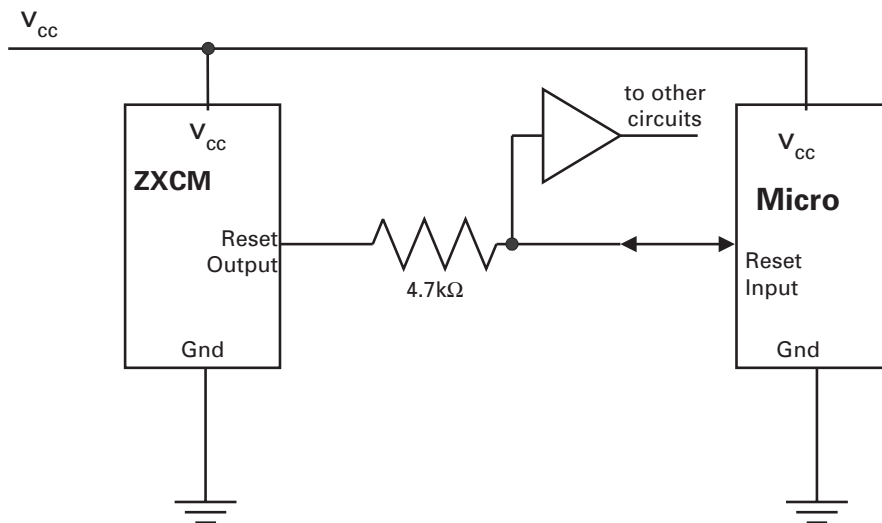
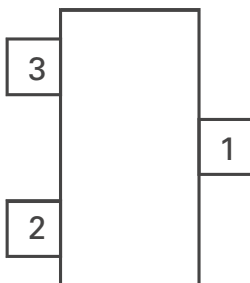


Figure 2
Interfacing to μP 's with bidirectional reset I/O.

PIN DESCRIPTION

Pin Number	Pin Name	Pin Function
1	V_{CC}	Supply voltage (+5, +3.3, +3 volts)
2	RESET (ZXCM209) RESET (ZXCM210)	Output remains low while V_{CC} is below the reset threshold, and for a minimum 140ms after V_{CC} rises above the reset threshold. Output remains high while V_{CC} is below the reset threshold, and for a minimum 140ms after V_{CC} rises above the reset threshold.
3	Gnd	Ground



ORDERING INFORMATION

PART NUMBER	TEMPERATURE RANGE	PACKAGE	RESET OUTPUT
ZXCM209xF	-55 to 125°C	SOT23	LOW
ZXCM210LF	-55 to 125°C	SOT23	HIGH

x=Insert appropriate threshold voltage code.

ZXCM209 Threshold voltage codes

PART MARK	THRESHOLD CODE	RESET THRESHOLD (V)
M22	L	4.63
M23	M	4.38
M24	J	4.00
M25	T	3.08
M26	S	2.93
M27	R	2.63

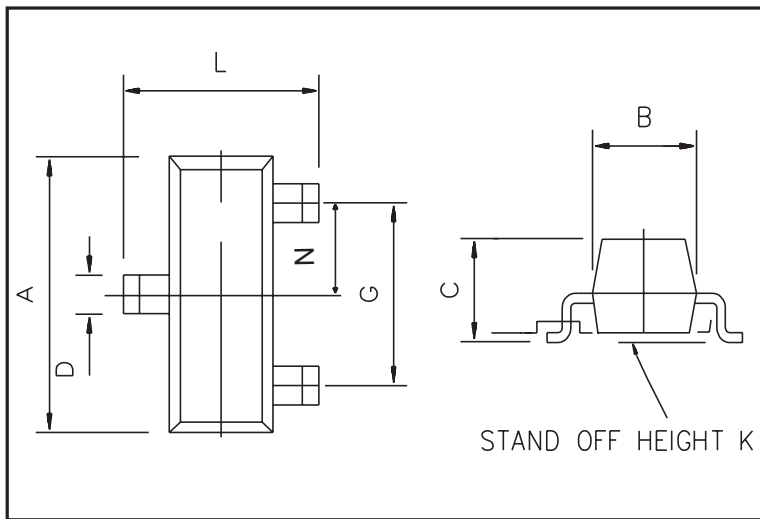
ZXCM210 Threshold voltage codes

PART MARK	THRESHOLD CODE	RESET THRESHOLD (V)
M28	L	4.63

The only Reset High variant currently available is the ZXCM210LF. Contact your local Zetex Office for more details.

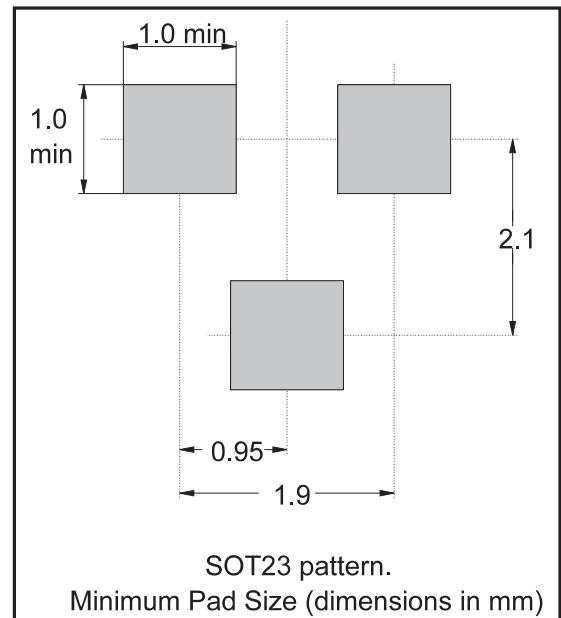
ZXCM209 ZXCM210

PACKAGE DIMENSIONS



DIM	Millimetres		Inches	
	Min	Max	Min	Max
A	2.67	3.05	0.105	0.120
B	1.20	1.40	0.047	0.055
C	-	1.10	-	0.043
D	0.37	0.53	0.0145	0.021
F	0.085	0.15	0.0033	0.0059
G	NOM 1.9		NOM 0.075	
K	0.01	0.10	0.0004	0.004
L	2.10	2.50	0.0825	0.0985
N	NOM 0.95		NOM 0.037	

PAD LAYOUT DETAILS



ZETEX Zetex plc.
Fields New Road, Chadderton, Oldham, OL9-8NP, United Kingdom.
Telephone: (44)161 622 4422 (Sales), (44)161 622 4444 (General Enquiries)
Fax: (44)161 622 4420

Zetex GmbH
Streitfeldstraße 19
D-81673 München
Germany
Telefon: (49) 89 45 49 49 0
Fax: (49) 89 45 49 49 49

Zetex Inc.
47 Mall Drive, Unit 4
Commack NY 11725
USA
Telephone: (631) 543-7100
Fax: (631) 864-7630

Zetex (Asia) Ltd.
3701-04 Metroplaza, Tower 1
Hing Fong Road,
Kwai Fong, Hong Kong
Telephone: (852) 26100 611
Fax: (852) 24250 494

These are supported by
agents and distributors in
major countries world-wide
© Zetex plc 2001

www.zetex.com

This publication is issued to provide outline information only which (unless agreed by the Company in writing) may not be used, applied or reproduced for any purpose or form part of any order or contract or be regarded as a representation relating to the products or services concerned. The Company reserves the right to alter without notice the specification, design, price or conditions of supply of any product or service.

ZETEX