

Current Transducer LA 100-S/SP1

$$I_{PN} = 100 \text{ A}$$

For the electronic measurement of currents : DC, AC, pulsed..., with a galvanic isolation between the primary circuit (high power) and the secondary circuit (electronic circuit).



Electrical data

I_{PN}	Primary nominal r.m.s. current	100	A
I_p	Primary current, measuring range	0 .. ± 200	A
R_M	Measuring resistance	$R_{M \min}$ $R_{M \max}$	
	with $\pm 15 \text{ V}$	@ $\pm 100 \text{ A}_{\max}$	0 180 Ω
		@ $\pm 200 \text{ A}_{\max}$	0 50 Ω
I_{SN}	Secondary nominal r.m.s. current	50	m A
K_N	Conversion ratio	1 : 2000	
V_C	Supply voltage ($\pm 5 \%$)	± 15	V
I_C	Current consumption	$22 + I_S$	m A
V_d	R.m.s. voltage for AC isolation test, 50 Hz, 1 min	3	k V

Features

- Closed loop (compensated) current transducer using the Hall effect
- Insulated plastic case recognized according to UL 94-V0.

Special features

- $I_p = 0 \dots \pm 200 \text{ A}$
- $K_N = 1 : 2000$

Accuracy - Dynamic performance data

X_G	Overall accuracy @ $I_{PN}, T_A = 25^\circ\text{C}$	± 0.5	%
e_L	Linearity	< 0.1	%
I_o	Offset current @ $I_p = 0, T_A = 25^\circ\text{C}$	Typ	± 0.1 m A
		Max	± 0.4 m A
I_{OT}	Thermal drift of I_o - 10 °C .. + 70°C	± 0.2	m A
t_r	Response time ¹⁾ @ 90 % of I_{PN}	< 1	μs
di/dt	di/dt accurately followed	> 50	A/ μs
f	Frequency bandwidth (- 1 dB)	DC .. 150	kHz

Advantages

- Excellent accuracy
- Very good linearity
- Low temperature drift
- Optimized response time
- Wide frequency bandwidth
- No insertion losses
- High immunity to external interference
- Current overload capability.

General data

T_A	Ambient operating temperature	- 10 .. + 70	$^\circ\text{C}$
T_S	Ambient storage temperature	- 25 .. + 85	$^\circ\text{C}$
R_S	Secondary coil resistance @ $T_A = 70^\circ\text{C}$	85	Ω
m	Mass	65	g
	Standards ²⁾	EN 50178	

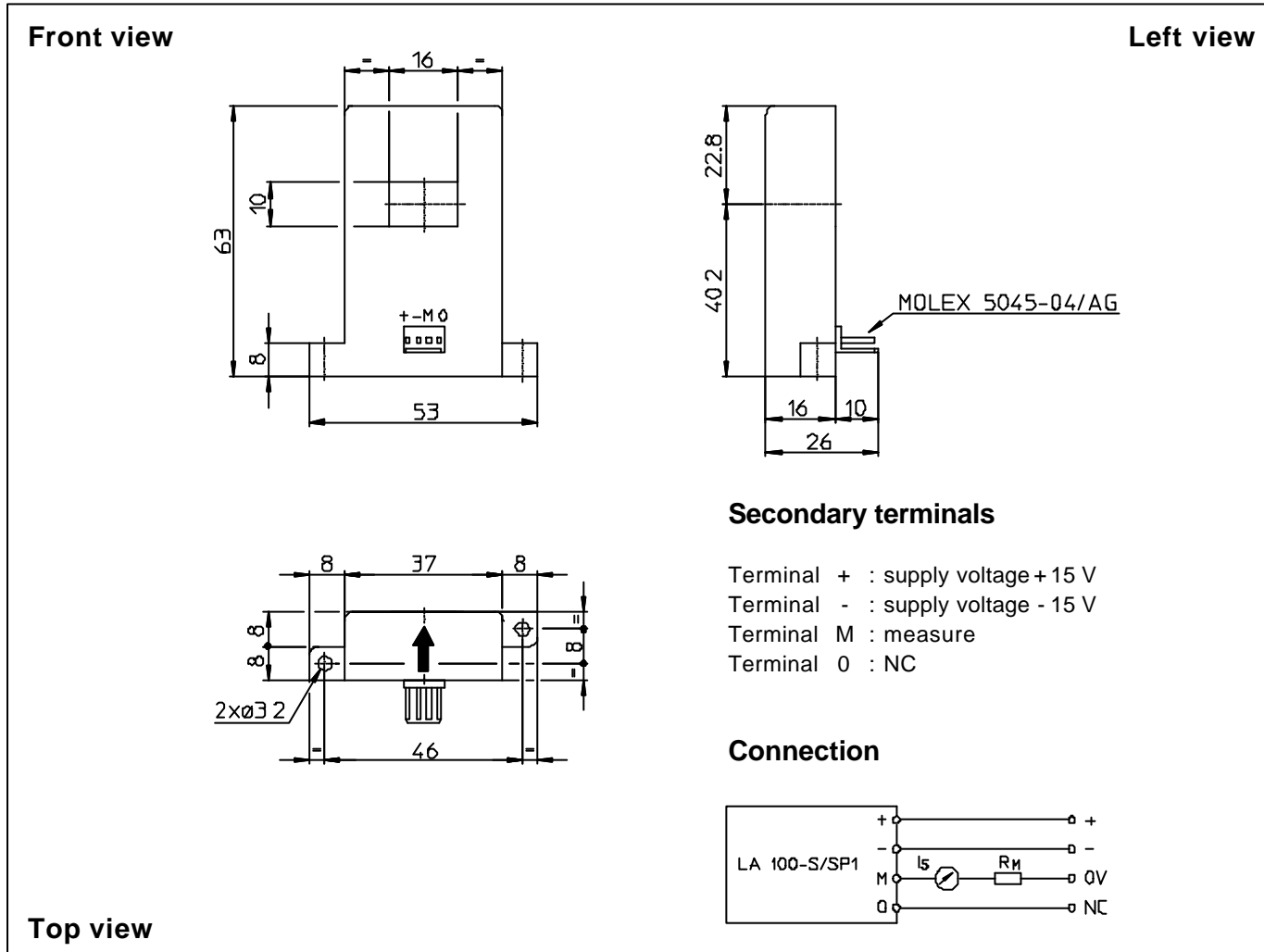
Applications

- AC variable speed drives and servo motor drives
- Static converters for DC motor drives
- Battery supplied applications
- Uninterruptible Power Supplies (UPS)
- Switched Mode Power Supplies (SMPS)
- Power supplies for welding applications.

Notes : ¹⁾ With a di/dt of 50 A/ μs

²⁾ A list of corresponding tests is available.

Dimensions LA 100-S/SP1 (in mm. 1 mm = 0.0394 inch)



Mechanical characteristics

- General tolerance ± 0.3 mm
- Fastening 2 holes $\varnothing 3.2$ mm
- Primary through-hole 16 x 10 mm
- Connection of secondary Molex 5045-04/AG

Remarks

- I_S is positive when I_p flows in the direction of the arrow.
- Temperature of the primary conductor should not exceed 100°C.
- Dynamic performances (di/dt and response time) are best with a single bar completely filling the primary hole.
- In order to achieve the best magnetic coupling, the primary windings have to be wound over the top edge of the device.
- To measure nominal currents of less than 100 A, the optimum accuracy is obtained by having several primary turns (nominal current x number of turns < 100 At).