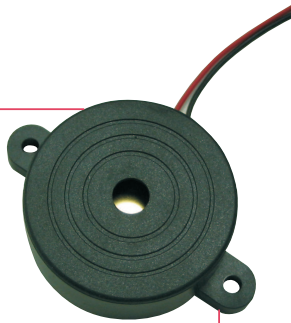


# SoniCrest

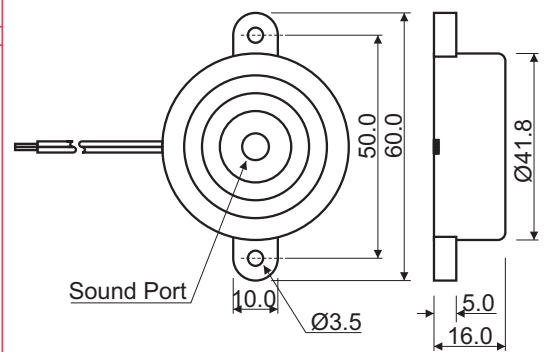
## PIEZO SOUND GENERATORS



**HPA42BX**

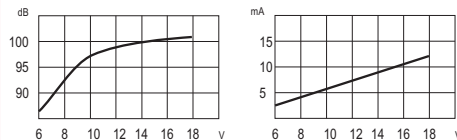
### Dimension

Unit : mm  
Tolerance : ±0.3mm



### Characteristics Response

Measuring Temperature : 25°C  
Measuring Distance : 30cm



### Specification (all data taken at 25°C unless otherwise specified)

HPA42BX	Rated Voltage (VDC)	Operating Voltage (VDC)	★Rated Current (mA)	★Sound Output at 30cm (dB)	★Generated Frequency (Hz)	Operating Temperature (°C)	Storage Temperature (°C)	Weight (g)
	12	3 ~ 28	≤ 9	≥ 95	2900 ± 500	-20 ~ +60	-30 ~ +70	15

★Value Applying Rated Voltage, DC

[www.jlworld.com](http://www.jlworld.com)