

SoniCrest

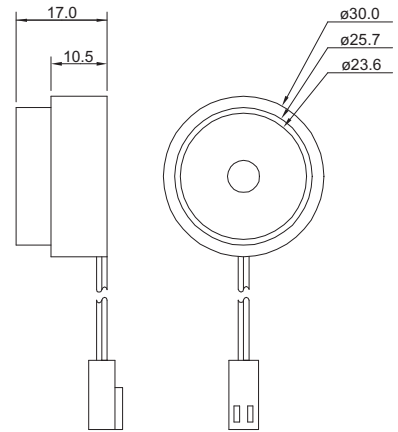
PIEZO SOUND GENERATORS



HPA30D

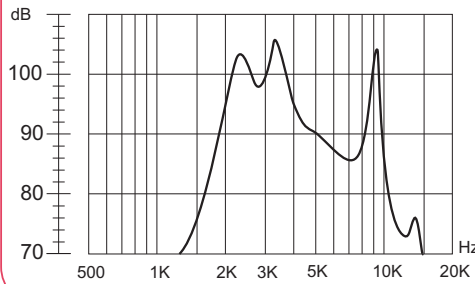
Dimension

Unit : mm
Tolerance : ±0.3mm



Frequency Response

Applied Voltage : 200Vp-p, 50% Duty Square Wave
Measuring Distance : 30cm



Specification (all data taken at 25°C unless otherwise specified)

HPA30D	Rated Voltage (Vp-p)	Maximum Operating Voltage (Vp-p)	★Rated Current (mA)	★Sound Output at 30cm (dB)	★Rated Frequency (Hz)	Tone	Operating Temperature (°C)	Storage Temperature (°C)
	200	200	≤ 110	≥ 108	3300 ± 500	Siren/Sweep	-10 ~ +60	-40 ~ +60

★Value Applying Rated Voltage, Rated Frequency, 50% Duty Square Wave