

# SoniCrest

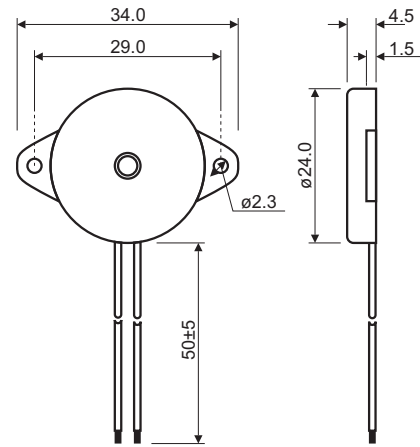
## PIEZO SOUND GENERATORS



**HPA24C**

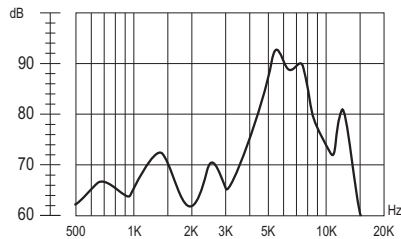
### Dimension

Unit : mm  
Tolerance :  $\pm 0.3\text{mm}$



### Frequency Response

Applied Voltage : 15Vp-p, 50% Duty Square Wave  
Measuring Distance : 10cm



### Specification (all data taken at 25°C unless otherwise specified)

HPA24C	Rated Voltage (Vp-p)	Operating Voltage (Vp-p)	★Rated Current (mA)	★Sound Output at 10cm (dB)	★Rated Frequency (Hz)	Capacitance (nF)	Operating Temperature (°C)	Storage Temperature (°C)	Weight (g)
	15	12 ~ 30	≤ 8	≥ 90	5500 ± 500	15 ± 30%	-20 ~ +70	-40 ~ +80	1.5

★Value Applying Rated Voltage, Rated Frequency, 50% Duty Square Wave

[www.jlworld.com](http://www.jlworld.com)