

PLEASE CHECK WWW.MOLEX.COM FOR LATEST PART INFORMATION

Part Number: [0191540044](#)
Status: **Active**
Description: Step Down Butt Splice for 8-12 AWG Wire Red w/Yellow Strip

Documents:

[Drawing \(PDF\)](#) [RoHS Certificate of Compliance \(PDF\)](#)
[Packaging Specification \(PDF\)](#)

Agency Certification

CSA LR18689
 UL E32244

General

Product Family Splices
 Series [19154](#)
 Comments Step down: 8 to 10/12 AWG . Red w/Yellow Stripe
 Crimp Quality Equipment Yes
 Mil-Spec N/A
 Product Name Butt - Step Down

Physical

Barrel Type Closed - Brazed
 Color - Resin Red
 Flammability 94V-0
 Insulation PVC
 Material - Resin PVC
 Packaging Type Bag
 Temperature Range - Operating -40°C to +105°C
 Wire Insulation Diameter 9.65mm (.380") max
 Wire Size AWG 10, 12, 8

Electrical

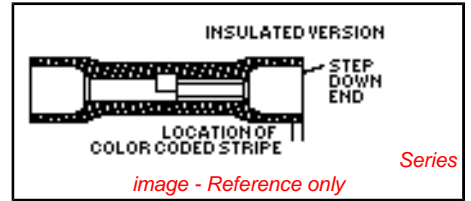
Voltage - Maximum 600V

Material Info

Old Part Number DC-654X

Reference - Drawing Numbers

Sales Drawing CD21001



<p>EU RoHS ELV and RoHS Compliant REACH SVHC Contains SVHC: No Halogen-Free Status Not Reviewed</p>	<p>China RoHS</p>
--	--------------------------

Need more information on product environmental compliance?
 Email productcompliance@molex.com
 For a multiple part number RoHS Certificate of Compliance, [click here](#)

Please visit the [Contact Us](#) section for any non-product compliance questions.

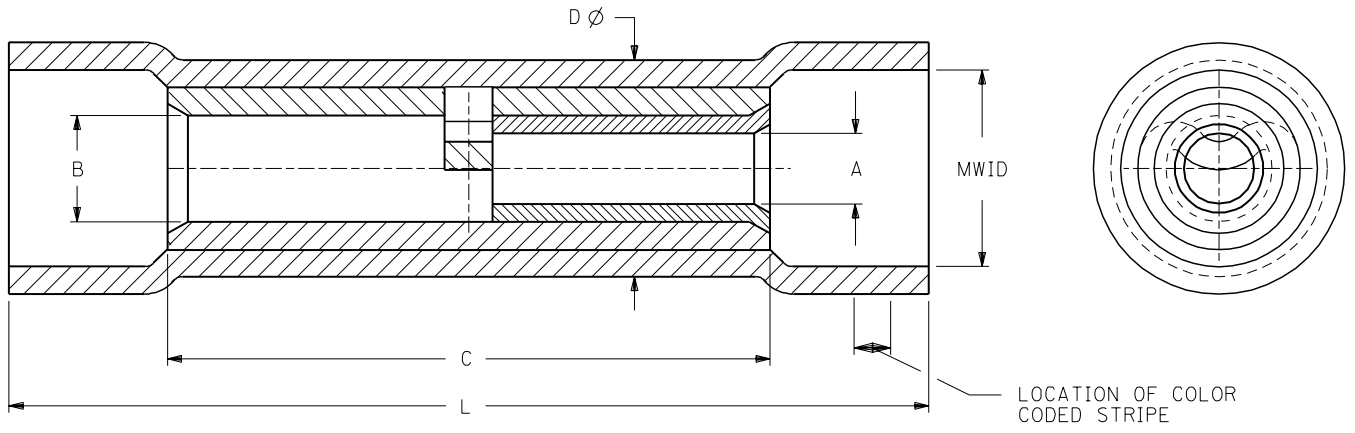
Search Parts in this Series
[19154Series](#)

Application Tooling | FAQ
Tooling specifications and manuals are found by selecting the products below. Crimp Height Specifications are then contained in the Application Tooling Specification document.

Global	
Description	Product #
Manual Putt Pump Hydraulic System, Die set required	0192860117
Die Set (large) for the HHLS Hydralic Crimper	0192890001
Putt Pump Dieless Head System	0192860065
Hand Crimp Tool	0640013900

PLEASE CHECK WWW.MOLEX.COM FOR LATEST PART INFORMATION

DRWG. NO. CD-21001



MATERIAL:
 BUTT SPLICE: COPPER, ELECTRO-TIN PLATED
 INSULATION: PVC

PART NO.	INSULATION COLOR	CODE STRIPE COLOR	"A"		"B"		"C" MAX.	"D" MAX.	MWID	"L" MAX.
			AWG.	MIN. DIA.	AWG.	MIN. DIA.				
BA-631X	BLUE	RED	22-18	.065	16-14	.091	.675	.230	.175	1.08
CB-646X	YELLOW	BLUE	16-14	.091	12-10	.138	.827	.295	.260	1.30
DC-654X	RED	YELLOW	12-10	.138	#8	.165	.854	.360	.380	1.50
ED-662X	BLUE	RED	#8	.175	#6	.222	1.045	.427	.435	1.84

MWID=MAXIMUM WIRE INSULATION DIAMETER

REVISE ONLY ON CAD SYSTEM
 TITLE STEP DOWN BUTT CONNECTOR INSULKRIMP

CUSTOMER DRAWING

DRWG. BY RCM
 CHK'D. BY
 APP'D. BY
 SCALE NO:NE

molex ETC INC.
 PINELLAS PARK, FLA. 34665 U.S.A.

A ADDED MIN I.D. FOR DIM. A & B RCM 01/16/92
 SHEET NO. DATE 10/28/91

PART NO. DRWG. NO. CD-21001
 FILE NAME CD21001 THIS DRAWING CONTAINS INFORMATION THAT IS PROPRIETARY TO MOLEX-ETC INC. AND SHOULD NOT BE USED WITHOUT WRITTEN PERMISSION. DIV. SIZE A