

Series 162, 163 & 165

Connector/Stud Power Distribution Blocks

SPECIFICATIONS

Rating: To 760A, 600V; UL/CSA. See table.

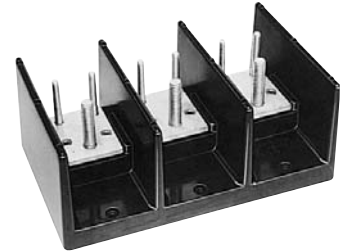
Materials: Molded material: Black, UL rated 94V0 thermoplastic

Operating Temperature: 150°C

Marking: Marker strip is optional, consult factory.

Agency Information: UL 221592; General Industrial Class per UL 1059; CSA LR053787; CE Certified

Covers: See page 137

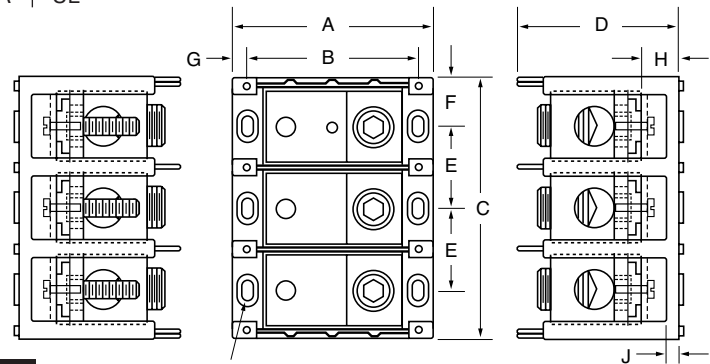


Part Number	Line Connection	Load Connection	Connector Material & Ampacity	Agency Approvals
Connector to Stud				
16280	2/0-#14CU/#8AL	1/4-20x1/2 Stud	AL-175A	UL CSA
16281	2/0-#14CU/#8AL	1/4-20 Tapped hole	AL-175A	UL CSA
16378	500MCM-#6CU-AL	(2)1/4-20x1 Stud	AL-380A	UL CSA
16383	500MCM-#6CU-AL	(1)3/8-16x1 1/4 Stud	AL-380A	UL CSA
16582	(2)500MCM-#6CU-AL	(2)3/8-16x1 5/8 Stud	AL-760A	UL CSA
Stud to Stud				
16390	3/8-16x1 1/8 Stud	3/8-16x1 1/8 Stud	CU-250A	UL CSA
16394	1/2-13x1 1/16 Stud	1/2-13x1 1/16 Stud	CU-400A	UL CSA
16395	3/8-16x1 7/16 Stud	(2)1/4-20x 9/16 Stud	CU-310A	UL CSA
16591	3/8-16x1 7/16 Stud	(2)3/8-16x1 7/16 Stud	CU-400A	UL -

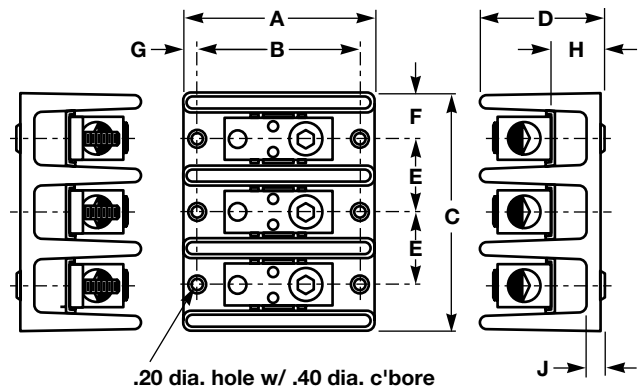
¹⁾ Openings per pole.

Series	A	B	C		
			1-pole	2-pole	3-pole
162	2.87	2.25	1.06	1.87	2.68
163	4.00	3.37	1.98	3.60	5.21
165	5.50	4.75	3.10	5.79	8.48

Series	D	E	F	G	H	J
162	1.75	.81	.53	.31	.84	.31
163	3.32	1.62	.97	.31	.87	.35
165	2.93	2.68	1.55	.37	1.19	.44



MTG. HOLES .21 x .41
C'BORE .42 x .62 x .12 DEEP



.20 dia. hole w/ .40 dia. c'bore

Covers (160, 162, 165 Series)

Part Numbering System



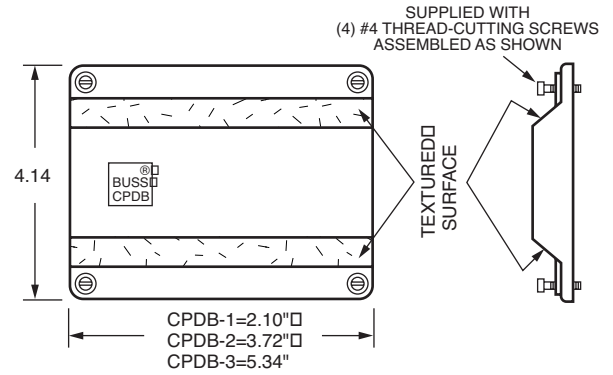
- | | |
|-----|--|
| 160 | 1 - One Pole Block (162,165 Series only) |
| 162 | 2 - Two Pole Block |
| 165 | 3 - Three Pole Block |
| | 4 - Four Pole Block (160 Series only) |

Covers (163 Series)

Part Numbering System



- 1- One Pole Block
- 2- Two Pole Block
- 3- Three Pole Block



Clear with write on surface