

SPECIFICATIONS

Electrical Ratings	100mA @ 30VDC
Electrical Life	10,000 cycles typical
Contact Resistance	< 50 mΩ max initial
Dielectric Strength	500Vrms min
Actuation Force	250+/- 100gF
Travel	Total Travel: 1.5mm Travel to Lock: 1.0mm
Insulation Resistance	> 100MΩ min
Operating Temperature	-40°C to 85°C
Storage Temperature	-40°C to 85°C



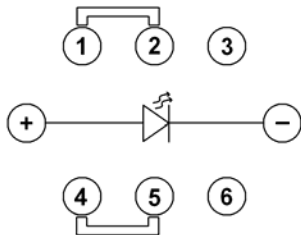
MATERIALS ←RoHS COMPLIANT

Actuator	6/6 Nylon
Frame	6/6 Nylon
Cover	6/6 Nylon
Base	9T Nylon
Caps	PC and PBT
Contacts	Phosphor Bronze, Silver Plated
Terminals	Brass, Silver Plated

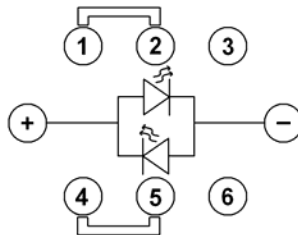
LED CHARACTERISTICS

LED Ratings		COLORS						Units
		R	Y	G	B	PG	W	
Reverse Voltage	V _R	5	5	5	5	5	5	V
Forward Current (avg)	I _F	30	30	30	30	30	30	mA
Forward Current (peak)	I _{FS}	120	125	125	125	125	125	mA
Reverse Current V _R = 5V	I _R	10	10	10	10	10	10	μA
Power Dissipation	P _T	75	78	75	114	108	114	mW
Operating & Storage Temperature	T _A	-40~ +85						°C
Forward Voltage (typ.), I _F = 20mA	V _F	2.1	2.1	2.0	3.3	3.1	3.3	V
Forward Voltage (max.), I _F = 20mA	V _F	2.6	2.6	2.5	3.8	3.6	3.8	V
Wavelength at Peak Emmission, I _F = 20mA	λ _p	660	585	572	460	515	N/A	nm
Spectral Line Half-Width, I _F = 20mA	Δλ	25	37	20	30	33	N/A	nm
Luminous Intensity, I _F = 20mA	LI	50	10	60	120	700	800	mcd
Viewing Angle	Θ	120	120	120	120	120	120	Deg

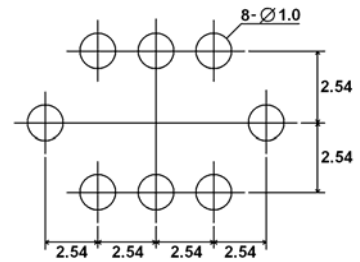
SCHEMATICS & PC LAYOUT



SINGLE COLOR LED



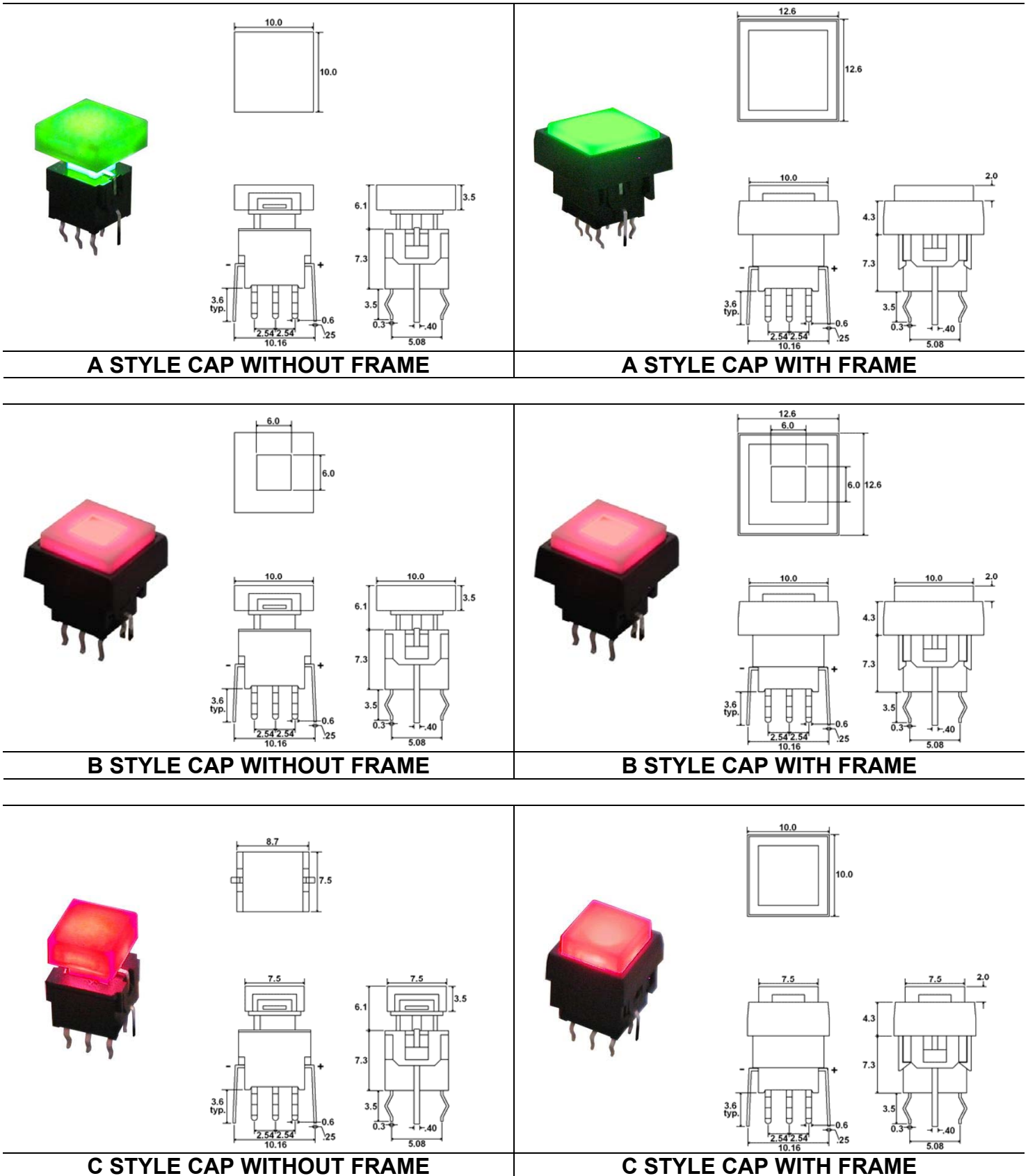
DUAL COLOR LED



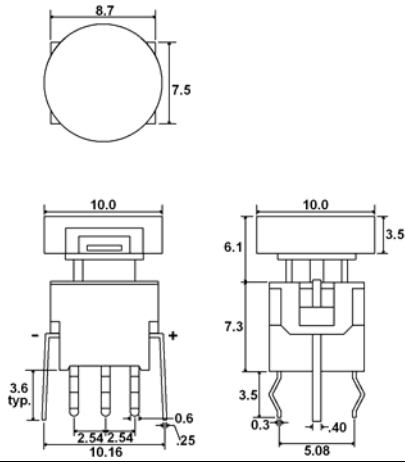
ORDERING INFORMATION

Series:	BT	2	3	T	M	B	Q	E
BT								
Switch Function: N = Momentary L = Latching								
LED Colors: X = No LED R = Red Y = Yellow G = Green PG = Pure Green B = Blue W = White RY = Red/Yellow dual LED RG = Red/Green dual LED RB = Red/Blue dual LED YG = Yellow/Green dual LED YB = Yellow/Blue dual LED GB = Green/Blue dual LED								
Frame Option: C = No Frame R1 = Round frame for use with D & E cap styles R2 = Round frame for use with F & H cap styles S1 = Square frame for use with A, B, & G cap styles S2 = Square frame for use with C cap styles								
Frame Color: X = No Frame K = Black								
Cap Style: N = No Cap A: Available in colors: 1, 1T, 1O, 2O, 3, 3T, 4, 4T, 5, 5T, 7, 7T, 0, MS B: Available in colors: 2O C: Available in colors: 1, 1T, 1O, 2O, 3, 3T, 4, 4T, 5, 5T, 7, 7T, 0, MS D: Available in colors: 1, 1T, 1O, 2O, 3, 3T, 4, 4T, 5, 5T, 7, 7T, 0, MS E: Available in colors: 2O F: Available in colors: 1, 1T, 1O, 2O, 3, 3T, 4, 4T, 5, 5T, 7, 7T, 0, MS G: Available in colors: 1O, 2O, 3T, 4T, 5T, 7T, 0, MS H: Available in colors: 3T, 4T, 5T, 7T, 0								
Cap colors: X = No cap 1 = White Semi-transparent, 1T = White Transparent, 1O = White Opaque, for use with laser etching 2O = Black, Opaque, for use with laser etching or B & E style caps 3 = Red Semi-transparent, 3T = Red Transparent 4 = Yellow Semi-transparent, 4T = Yellow Transparent 5 = Green Semi-transparent, 5T = Green Transparent 7 = Blue Semi-transparent, 7T = Blue Transparent 0 = Clear Semi-transparent MS = Misty Silver, Opaque, for use with laser etching								
Laser Etching Styles: **available with A, C, D, F, G cap styles Blank = No laser etching style A F B G C H D I E J								

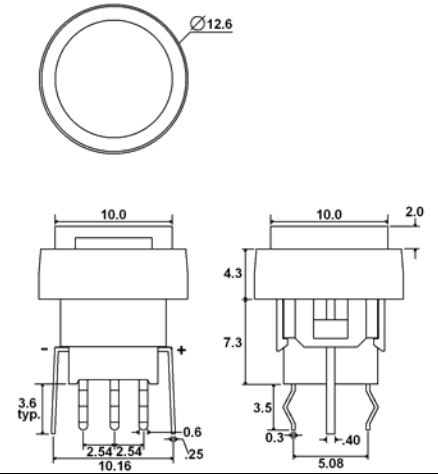
DIMENSIONS



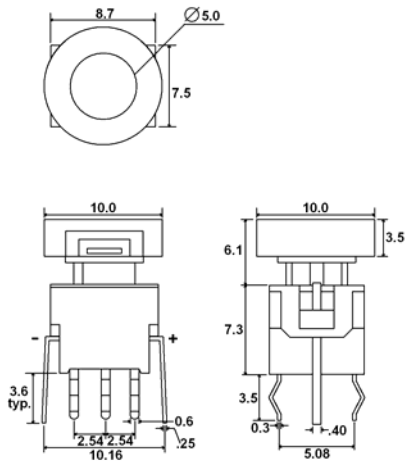
DIMENSIONS



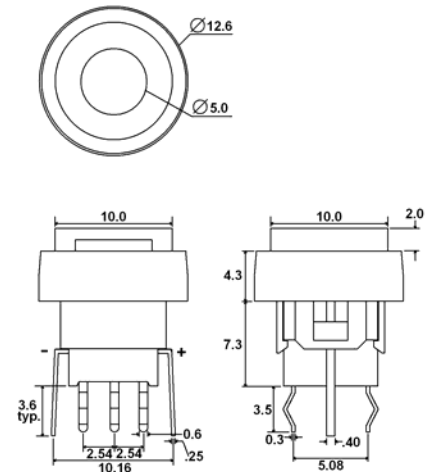
D STYLE CAP WITHOUT FRAME



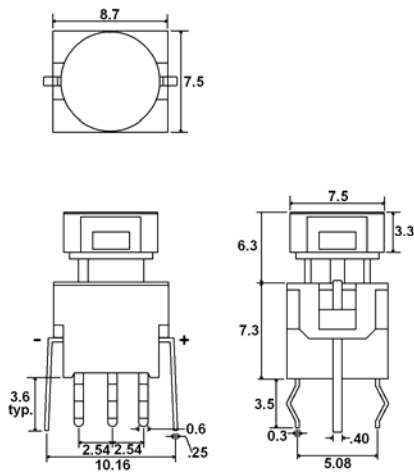
D STYLE CAP WITH FRAME



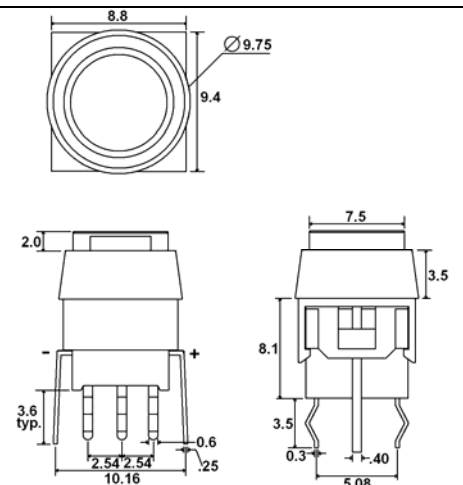
E STYLE CAP WITHOUT FRAME



E STYLE CAP WITH FRAME

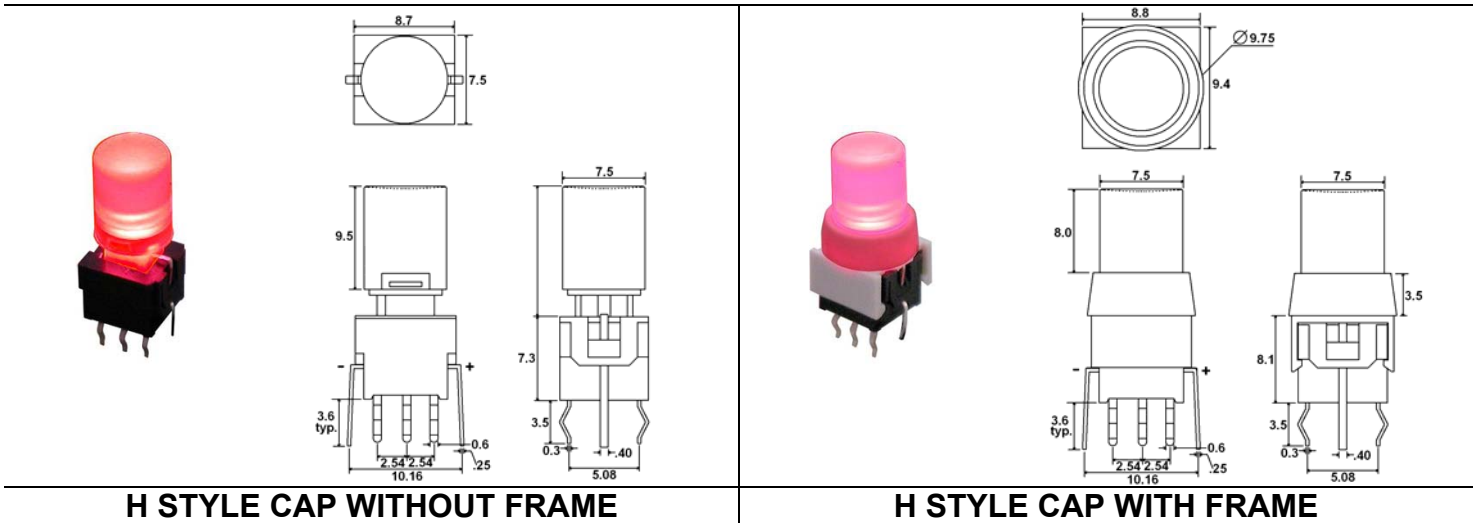
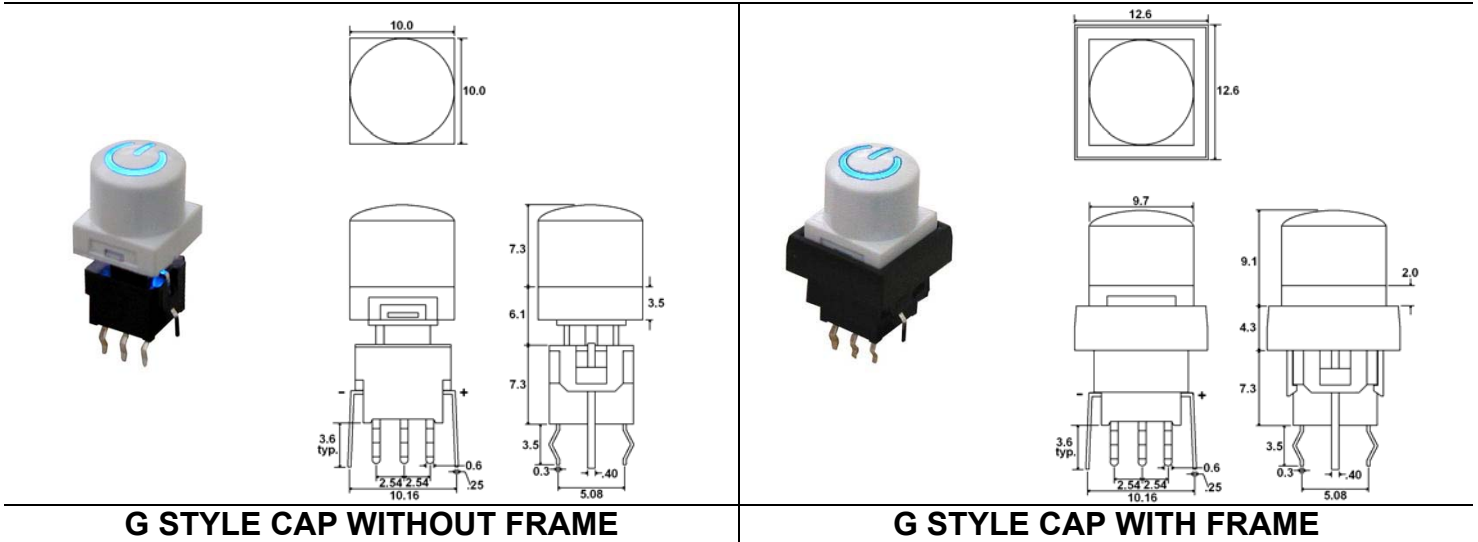


F STYLE CAP WITHOUT FRAME



F STYLE CAP WITH FRAME

DIMENSIONS



LASER ETCHING STYLES

A	B	C	D	E
F	G	H	I	J
	<p>All laser etching styles will be orientated with the + terminal located on the right hand side with respect to the legend.</p>			