

AGR09130E

130 W, 921 MHz—960 MHz, N-Channel E-Mode, Lateral MOSFET

Introduction

The AGR09130E is a high-voltage, laterally diffused metal oxide semiconductor (LDMOS) RF power transistor suitable for cellular band, code division multiple access (CDMA), global system for mobile communication (GSM), enhanced data for global evolution (EDGE), and time division multiple access (TDMA) single and multicarrier class AB wireless base station amplifier applications. This device is manufactured on an advanced LDMOS technology offering state-of-the-art performance, and reliability. Packaged in an industry-standard package incorporating internal matching and capable of delivering a minimum output power of 130 W, it is ideally suited for today's RF power amplifier applications.

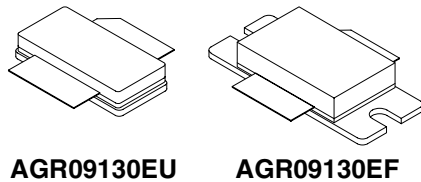


Figure 1. Available Packages

Features

- Typical performance ratings are for the EDGE format: 3GPP GSM 05.05:
- Output power (P_{OUT}): 50 W.
- Power gain: 17.8 dB.
- Modulation spectrum:
 - @ ± 400 kHz = -60 dBc.
 - @ ± 600 kHz = -72 dBc.
- Error vector magnitude (EVM) = 1.8%.
- Return loss: -10 dB.
- High-reliability, gold-metalization process.
- Internally matched.
- High gain, efficiency, and linearity.
- Integrated ESD protection.
- Si LDMOS.
- Industry-standard packages.
- P_{1dB} of 130 W minimum output power.

Table 1. Thermal Characteristics

Parameter	Sym	Value	Unit
Thermal Resistance, Junction to Case:			
AGR09130EU	R_{JC}	0.5	$^{\circ}\text{C}/\text{W}$
AGR09130EF		0.5	

Table 2. Absolute Maximum Ratings*

Parameter	Sym	Value	Unit
Drain-source Voltage	V_{DSS}	65	Vdc
Gate-source Voltage	V_{GS}	-0.5, 15	Vdc
Drain Current—Continuous	I_D	15	Adc
Total Dissipation at $T_c = 25^{\circ}\text{C}$:			
AGR09130EU	P_D	350	W
AGR09130EF		350	
Derate Above 25°C :			
AGR09130EU		2.0	$\text{W}/^{\circ}\text{C}$
AGR09130EF		2.0	
Operating Junction Temperature	T_J	200	$^{\circ}\text{C}$
Storage Temperature Range	T_{STG}	-65, 150	$^{\circ}\text{C}$

* Stresses in excess of the absolute maximum ratings can cause permanent damage to the device. These are absolute stress ratings only. Functional operation of the device is not implied at these or any other conditions in excess of those given in the operational sections of the data sheet. Exposure to absolute maximum ratings for extended periods can adversely affect device reliability.

Table 3. ESD Rating*

AGR09130E	Minimum (V)	Class
HBM	500	1B
MM	50	A
CDM	1500	4

* Although electrostatic discharge (ESD) protection circuitry has been designed into this device, proper precautions must be taken to avoid exposure to ESD and electrical overstress (EOS) during all handling, assembly, and test operations. PEAK Devices employs a human-body model (HBM), a machine model (MM), and a charged-device model (CDM) qualification requirement in order to determine ESD-susceptibility limits and protection design evaluation. ESD voltage thresholds are dependent on the circuit parameters used in each of the models, as defined by JEDEC's JESD22-A114B (HBM), JESD22-A115A (MM), and JESD22-C101A (CDM) standards.

Caution: MOS devices are susceptible to damage from electrostatic charge. Reasonable precautions in handling and packaging MOS devices should be observed.

Electrical Characteristics

Recommended operating conditions apply unless otherwise specified: $T_C = 30\text{ }^\circ\text{C}$.

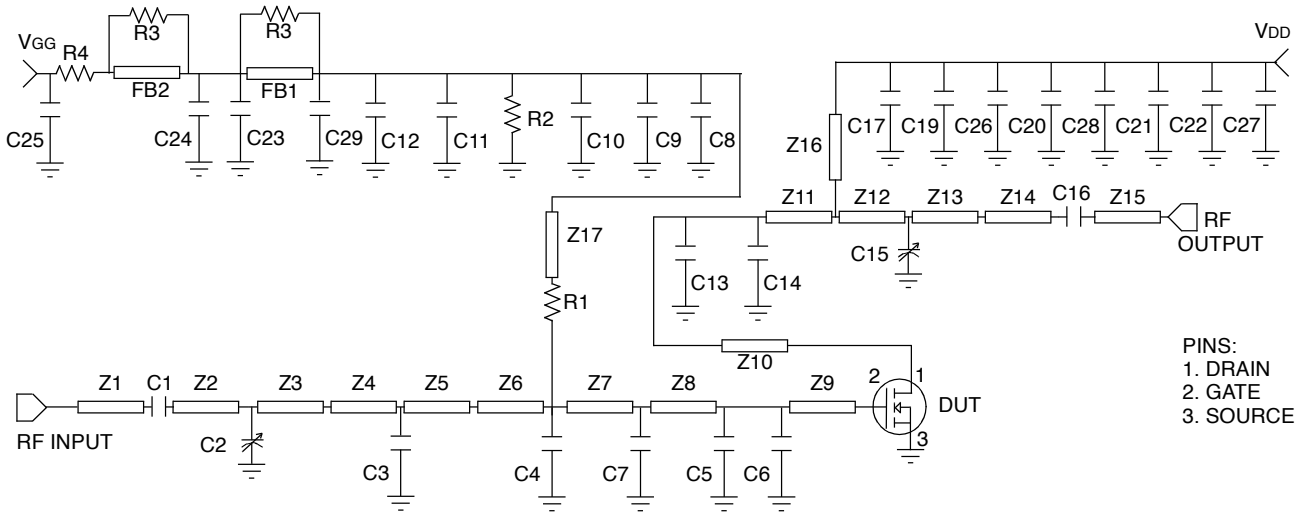
Table 4. dc Characteristics

Parameter	Symbol	Min	Typ	Max	Unit
Off Characteristics					
Drain-source Breakdown Voltage ($V_{GS} = 0$, $I_D = 400\text{ }\mu\text{A}$)	$V_{(BR)DSS}$	65	—	—	Vdc
Gate-source Leakage Current ($V_{GS} = 5\text{ V}$, $V_{DS} = 0\text{ V}$)	I_{GSS}	—	—	4	μA_{dc}
Zero Gate Voltage Drain Leakage Current ($V_{DS} = 28\text{ V}$, $V_{GS} = 0\text{ V}$)	I_{DSS}	—	—	200	μA_{dc}
On Characteristics					
Forward Transconductance ($V_{DS} = 10\text{ V}$, $I_D = 1\text{ A}$)	G_{FS}	—	9	—	S
Gate Threshold Voltage ($V_{DS} = 10\text{ V}$, $I_D = 400\text{ }\mu\text{A}$)	$V_{GS(TH)}$	—	—	4.8	Vdc
Gate Quiescent Voltage ($V_{DS} = 26\text{ V}$, $I_{DQ} = 1000\text{ mA}$)	$V_{GS(Q)}$	—	3.8	—	Vdc
Drain-source On-voltage ($V_{GS} = 10\text{ V}$, $I_D = 1\text{ A}$)	$V_{DS(ON)}$	—	0.08	—	Vdc

Table 5. RF Characteristics

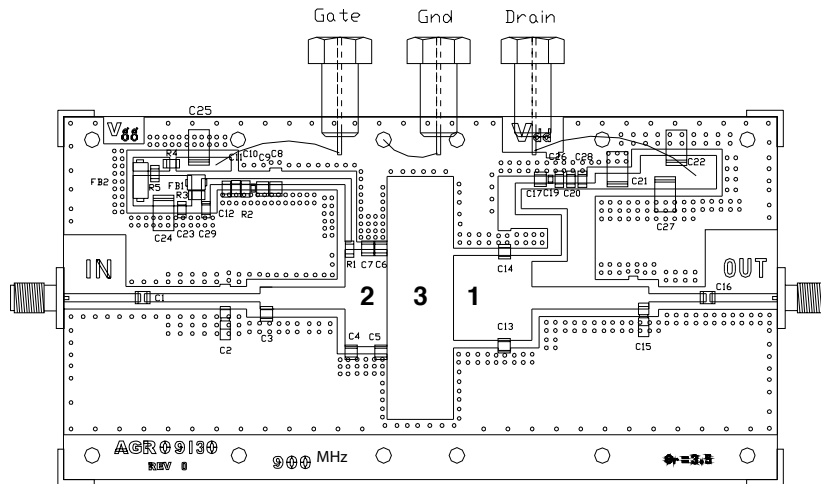
Parameter	Symbol	Min	Typ	Max	Unit
Dynamic Characteristics					
Output Capacitance ($V_{DS} = 28\text{ V}_{dc}$, $V_{GS} = 0$, $f = 1\text{ MHz}$)	C_{OSS}	—	72	—	pF
Transfer Capacitance ($V_{DS} = 28\text{ V}_{dc}$, $V_{GS} = 0$, $f = 1\text{ MHz}$)	C_{RSS}	—	3.0	—	pF
Functional Tests (in Supplied Test Fixture) (Test frequencies (f) = 920 MHz, 940 MHz, 960 MHz)					
Linear Power Gain ($V_{DS} = 26\text{ V}$, $P_{OUT} = 50\text{ W}$, $I_{DQ} = 1000\text{ mA}$)	G_L	16	18	—	dB
Output Power ($V_{DS} = 26\text{ V}$, 1 dB compression, $I_{DQ} = 1000\text{ mA}$)	P_{1dB}	130	150	—	W
Drain Efficiency ($V_{DS} = 26\text{ V}$, $P_{OUT} = P_{1dB}$, $I_{DQ} = 1000\text{ mA}$)		—	55	—	%
Third-order Intermodulation Distortion (100 kHz spacing, $V_{DS} = 26\text{ V}$, $P_{OUT} = 120\text{ W}_{PEP}$, $I_{DQ} = 1000\text{ mA}$)	IM_3	—	30	—	dBc
Input VSWR	$VSWR_i$	—	2:1	—	—
Ruggedness ($V_{DS} = 26\text{ V}$, $P_{OUT} = 130\text{ W}$, $I_{DQ} = 1000\text{ mA}$, $f = 940\text{ MHz}$, $VSWR = 5:1$, all angles)	—	No degradation in output power.			

Test Circuit Illustrations for AGR09130E



PINS:
 1. DRAIN
 2. GATE
 3. SOURCE

A. Schematic



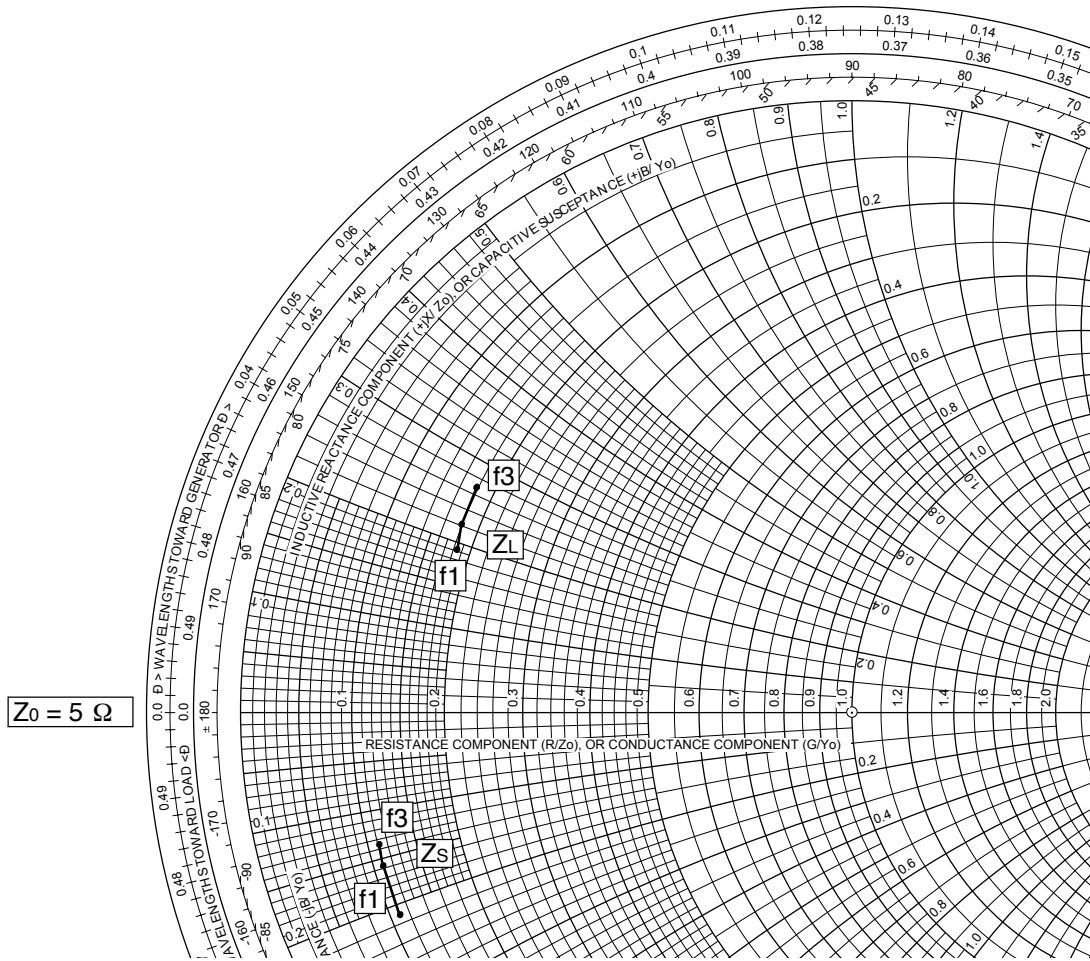
Parts List:

- Microstrip line:
 Z1 0.834 in. x 0.066 in.; Z2 0.066 in. x 0.066 in.; Z3 0.290 in. x 0.066 in.; Z4 0.050 in. x 0.180 in.; Z5 0.650 in. x 0.180 in.;
 Z6 0.050 in. x 0.800 in.; Z7 0.132 in. x 0.800 in.; Z8 0.105 in. x 0.800 in.; Z9 0.050 in. x 0.800 in.; Z10 0.423 in. x 0.700 in.;
 Z11 0.227 in. x 0.700 in.; Z12 0.920 in. x 0.180 in.; Z13 0.040 in. x 0.180 in.; Z14 0.470 in. x 0.066 in.; Z15 0.495 in. x 0.066 in.;
 Z16 1.340 in. x 0.050 in.; Z17 1.100 in. x 0.050 in.
- ATC[®] chip capacitor:
 C1, C8, C16, C17: 47 pF 100B470JW; C3 1.5 pF 100B1R5BW; C4: 6.8 pF 100B6R8BW; C13, C14: 12 pF 100B120JW;
 C5, C6, 10 pF 100B100JW; C7 5.6 pF 100B5R6BW; C9: 100 pF 100B101JW.
- 0603 chip capacitor: C10, C19: 220 pF.
- Kemet[®]: chip capacitor, C11, C26: 0.01 μ F C1206C103KRAC7800; C12, C20, C23, C28, C29: 0.1 μ F C1206C104KRAC7800.
- Johanson Giga-Trim[®] variable capacitor, 27291SL: C2, C15: 0.8 pF to 8 pF.
- Sprague[®] tantalum chip capacitor (35 V): C21, C24, C25, C27 10 μ F; C22 22 μ F.
- 1206 size fixed film chip resistor (0.25 W): R1: 51 RM73B2B510J; R2 56 k RM73B2B563J; R3 12 RM73B2B120J;
 R4 1.2 k RM73B2B122J; R5 RM73B2B4R3J 4.3
- Kreger[®] ferrite bead: FB1 2743019447; FB2 2743021447.
- Taconic[®] ORCER RF-35: board material, 1 oz. copper, 30 mil thickness, $r = 3.5$.

B. Component Layout

Figure 2. AGR09130E Test Circuit

Typical Performance Characteristics



MHz (f)	Zs Ω (Complex Source Impedance)	ZL Ω (Complex Optimum Load Impedance)
920 (f1)	0.55 - j1.06	0.9 + j0.96
940	0.55 - j0.77	0.89 + j1.09
960 (f3)	0.58 - j0.66	0.84 + j1.35

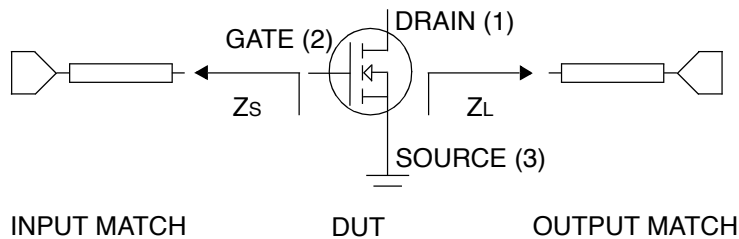
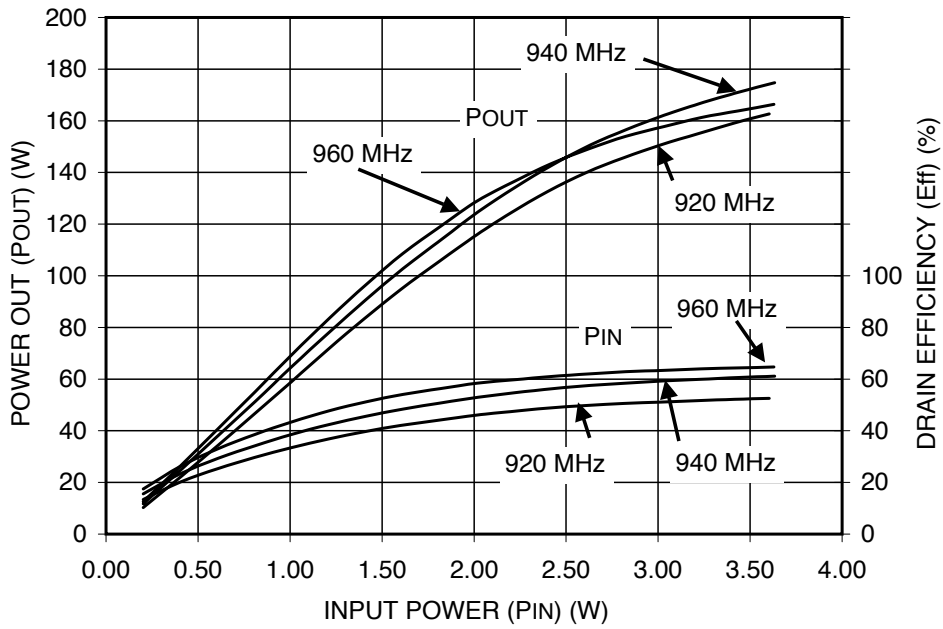


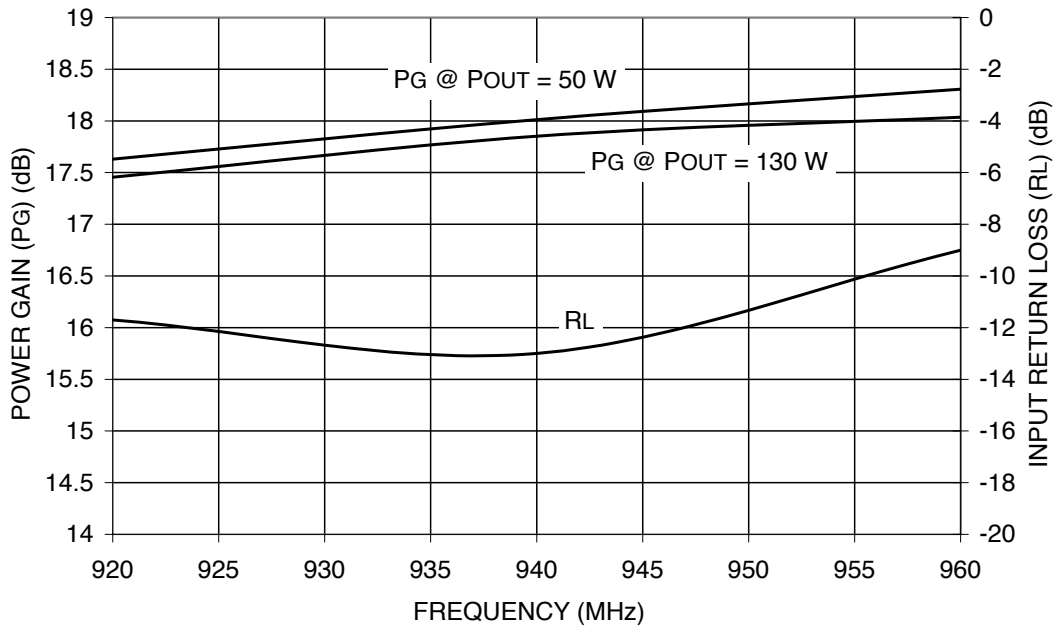
Figure 3. Series Equivalent Input and Output Impedances

Typical Performance Characteristics (continued)



$V_{DD} = 26\text{ V}$, $I_{DQ} = 1.0\text{ A}$, $T_F = 30\text{ }^\circ\text{C}$, $\text{FORMAT} = \text{CW}$.

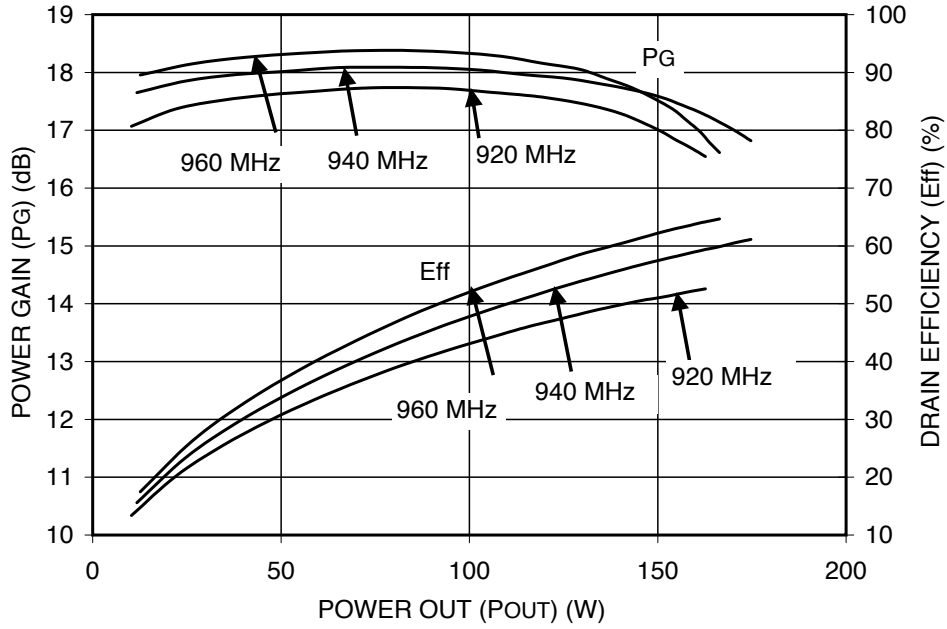
Figure 4. POUT and Drain Efficiency vs. PIN



$V_{DD} = 26\text{ V}$, $I_{DQ} = 1.0\text{ A}$, $T_F = 30\text{ }^\circ\text{C}$.

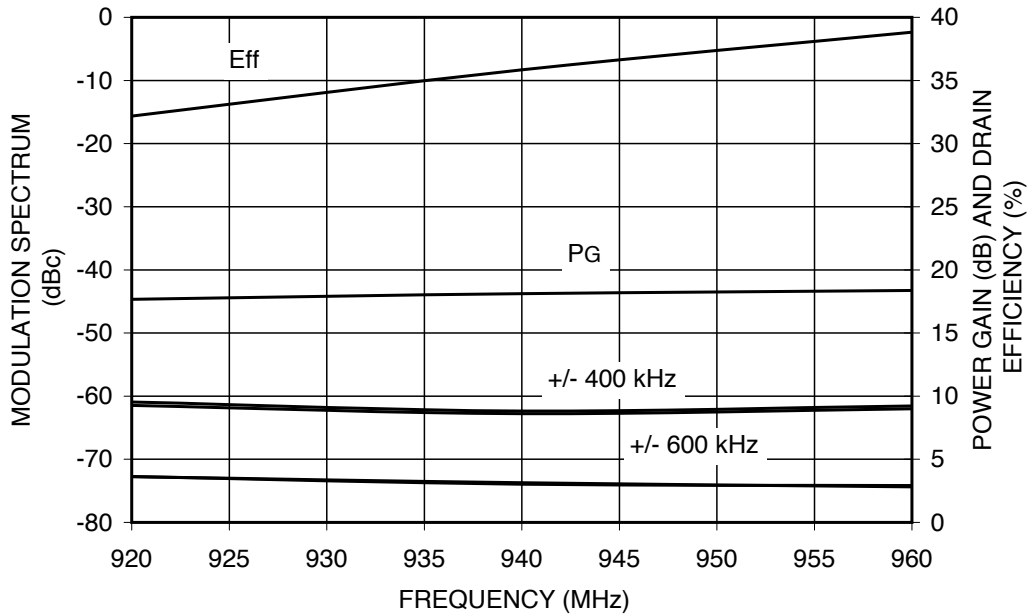
Figure 5. Power Gain and Return Loss vs. Frequency

Typical Performance Characteristics (continued)



$V_{DD} = 26 V_{DC}$, $I_{DQ} = 1.0 A$, $T_F = 30 ^\circ C$, FORMAT = CW.

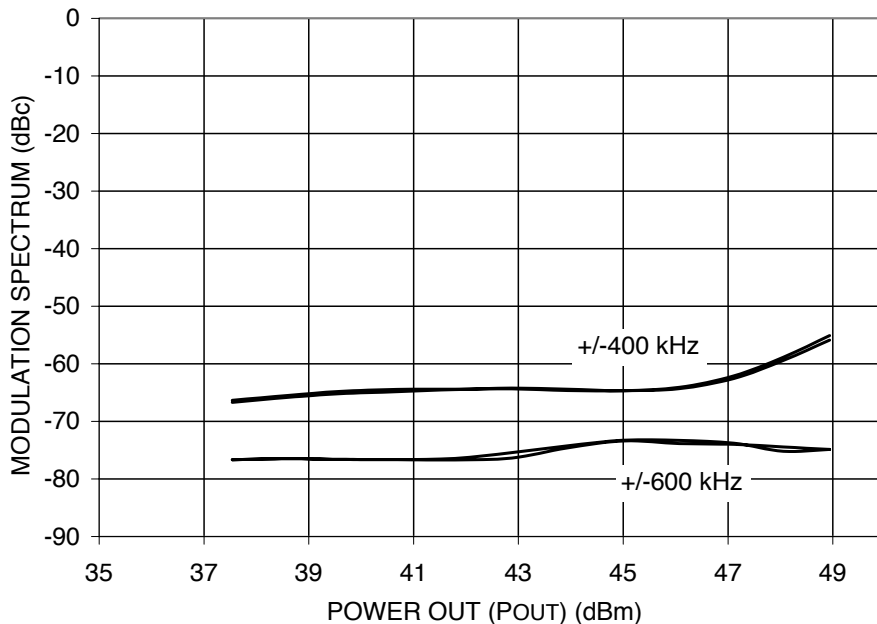
Figure 6. Power Gain and Drain Efficiency vs. Power Out



$V_{DD} = 26 V$, $I_{DQ} = 1.0 A$, $P_o = 50 W$, $T_F = 30 ^\circ C$, EDGE FORMAT = 3GPP GSM 05.05.

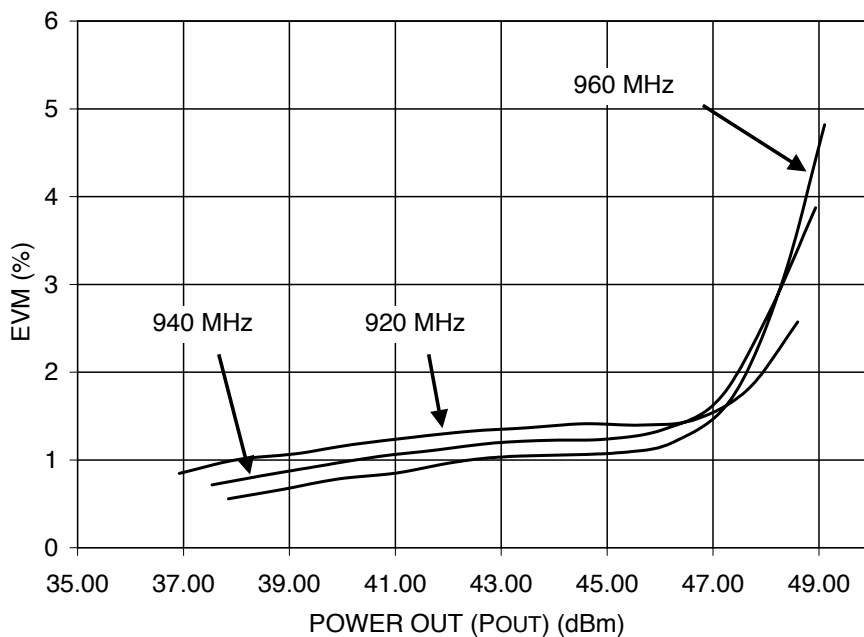
Figure 7. ACP, Power Gain, and Efficiency vs. Frequency

Typical Performance Characteristics (continued)



FREQUENCY = 940 MHz, $V_{DD} = 26 V_{DC}$, $I_{DQ} = 1.0 A$, $T_F = 30 ^\circ C$, EDGE FORMAT = 3GPP GSM 05.05.

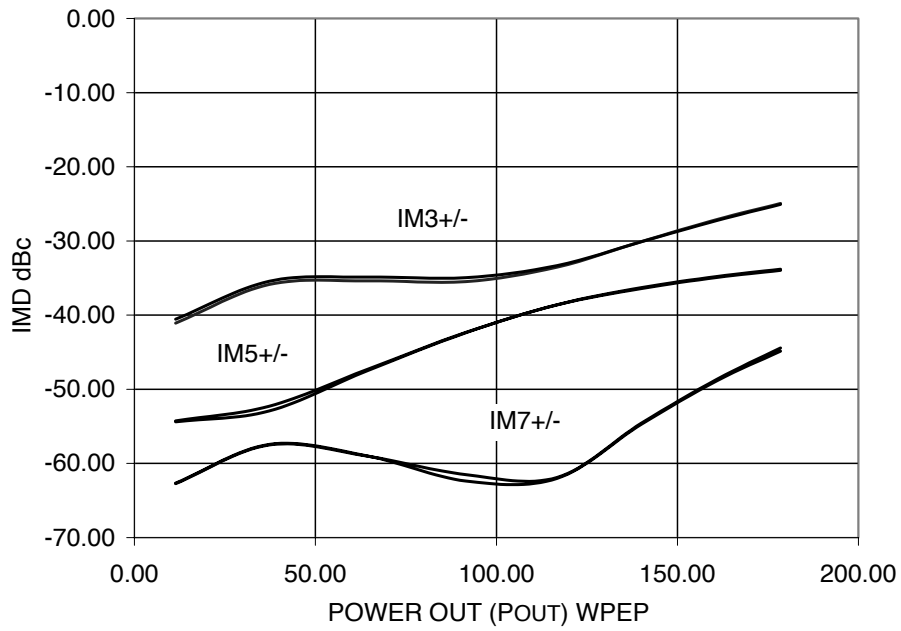
Figure 8. EDGE Modulation Spectrum vs. Power Out



$V_{DD} = 26 V_{DC}$, $I_{DQ} = 1.0 A$, $T_F = 30 ^\circ C$, EDGE FORMAT = 3GPP GSM 05.05

Figure 9. EVM vs. Power Out

Typical Performance Characteristics (continued)



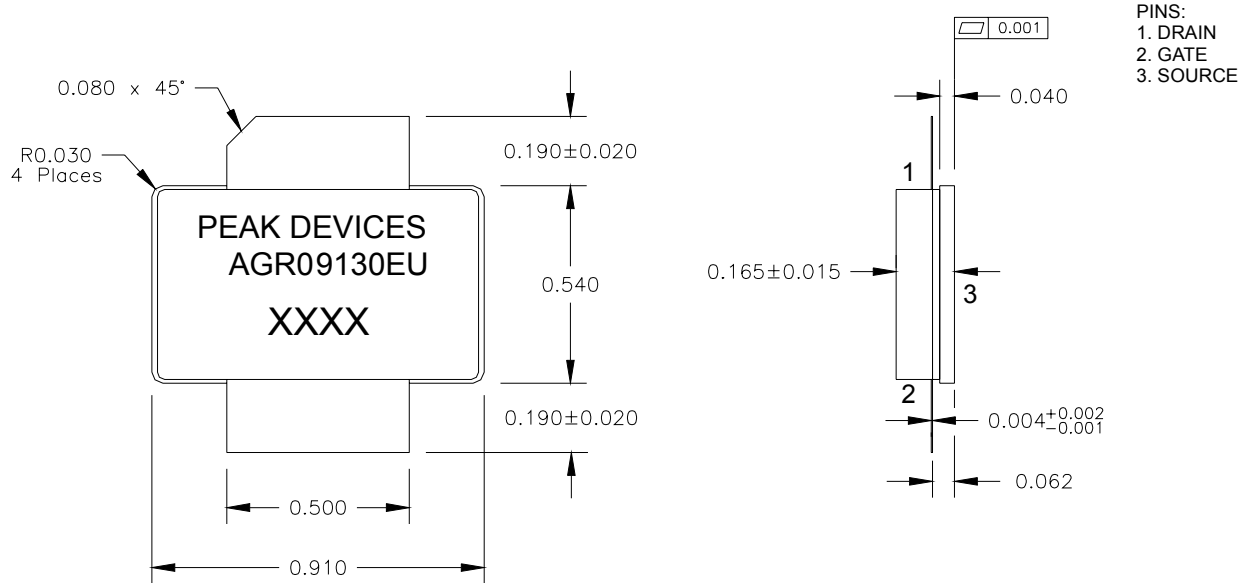
F1 = 940.0 MHz, F2 = 940.1 MHz, V_{DD} = 26 V, I_{DQ} = 1.0 A, T_F = 30 °C.

Figure 10. 2-Tone IMD vs. Po

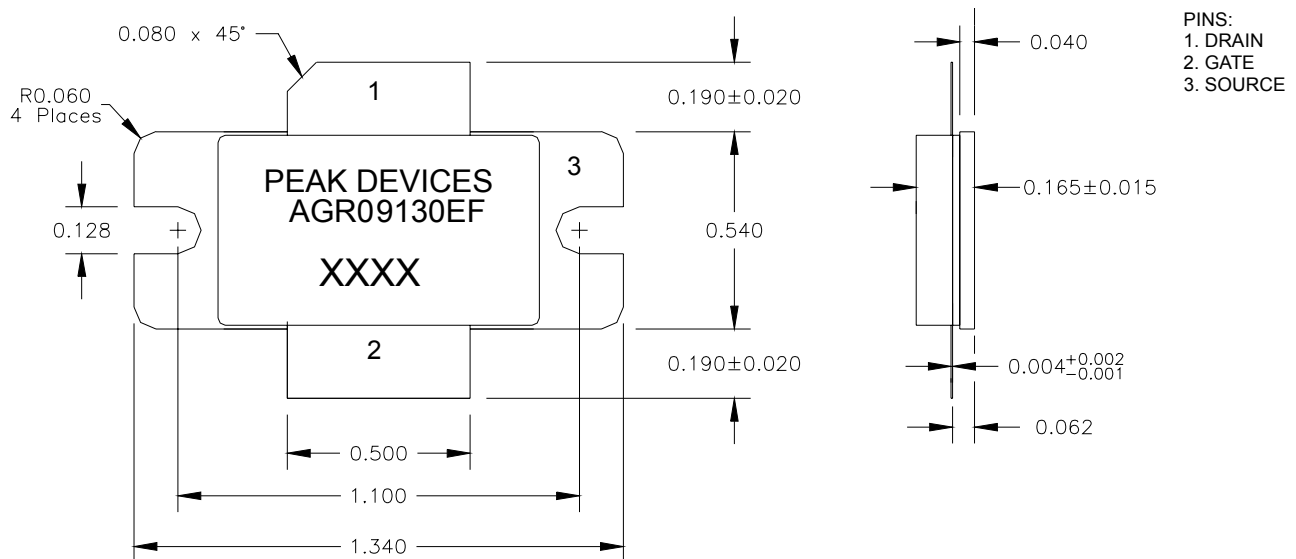
Package Dimensions

All dimensions are in inches. Tolerances are ± 0.005 in. unless specified.

AGR09130EU



AGR09130EF



Marking Notes:

Line 1: Brand & Manufacturer

Line 2: Part Number

Line 3: 4 digit Trace Code first two digits are letters followed by two digit number

AGR09130E
130 W, 921 MHz—960 MHz, N-Channel E-Mode, Lateral MO SFET

Ordering Information

Device Code	Package	Availability
AGR09130E	AGR09130EU (surface-mount)	Tray
	AGR09130EF (flanged)	Tray

Johanson and Giga-Trim are registered trademarks of Johanson Manufacturing Corporation.

ATC is a registered trademark of American Technical Ceramics Corporation.

Kemet is a registered trademark of KRC Trade Corporation.

Sprague is a registered trademark of Sprague Electric Company Corporation.

Kreger is a registered trademark of Kreger Components, Inc.

Taconic is a registered trademark of Tonoga Limited DBA Taconic Plastics Ltd.