

SANYO

No.2856C

LA7054Z

**Video, Audio Signal Processor
for UHF Band RF Modulator Use**

Overview

The LA7054Z is a video, audio signal processor IC for UHF band RF modulators. It performs the functions of TSG (test signal generator), video clamp circuit, white clip circuit, audio FM modulator. The characteristics of the LA7054Z are highly stable to supply voltage variations because the LA7054Z has an internal voltage regulator.

Functions

- Audio FM modulator
- Sync pulse peak clamp
- TSG
- White clip
- Voltage regulator

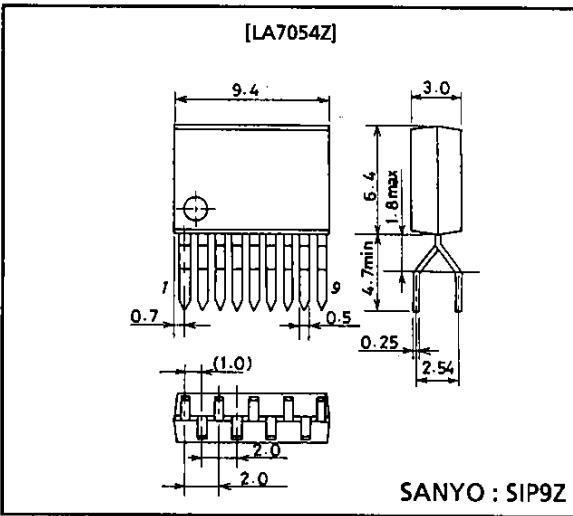
Features

- Low-voltage operation : $V_{CC} = 5V$
- Highly stable to supply voltage variations because the LA7054Z has an internal voltage regulator.
- On-chip TSG (test signal generator).
- Good frequency characteristic of white clip.
- Large amplitude of audio carrier and less high-frequency spurious radiation.
- Low audio distortion.
- Low current drain : -30% (compared with our similar ICs).
- Minimum number of parts required : Peripherals of clock oscillator for TSG.
- Compact package : 9Z-pin SIP

Package Dimensions

unit : mm

3119-SIP9Z



Specifications

Maximum Ratings at $T_a = 25^\circ C$

Parameter	Symbol	Conditions	Ratings	Unit
Maximum supply voltage	$V_{CC \max}$		9.0	V
Allowable power dissipation	P_{dmax}	$T_a \leq 60^\circ C$	250	mW
Operating temperature	T_{opr}	$V_{CC} = 5V$	-20 to +80	$^\circ C$
Storage temperature	T_{stg}		-40 to +125	$^\circ C$

Operating Conditions at $T_a = 25^\circ C$

Parameter	Symbol	Conditions	Ratings	Unit
Recommended supply voltage	V_{CC}		5.0	V
Operating voltage range	V_{CCop}		4.25 to 7.00	V

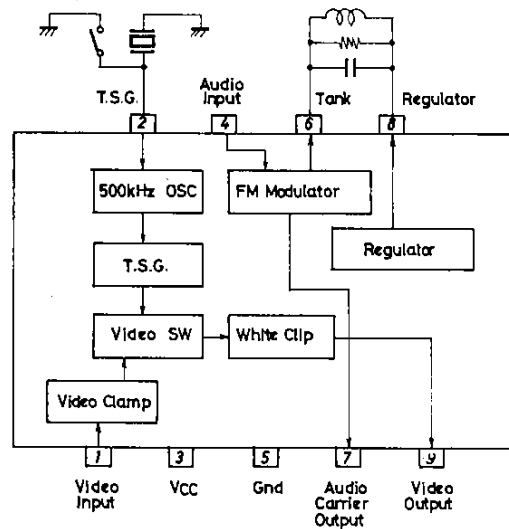
SANYO Electric Co., Ltd. Semiconductor Business Headquarters
TOKYO OFFICE Tokyo Bldg., 1-10, 1 Chome, Ueno, Taito-ku, TOKYO, 110 JAPAN

22996TH/70494HK/O048YT,TS No.2856-1/3

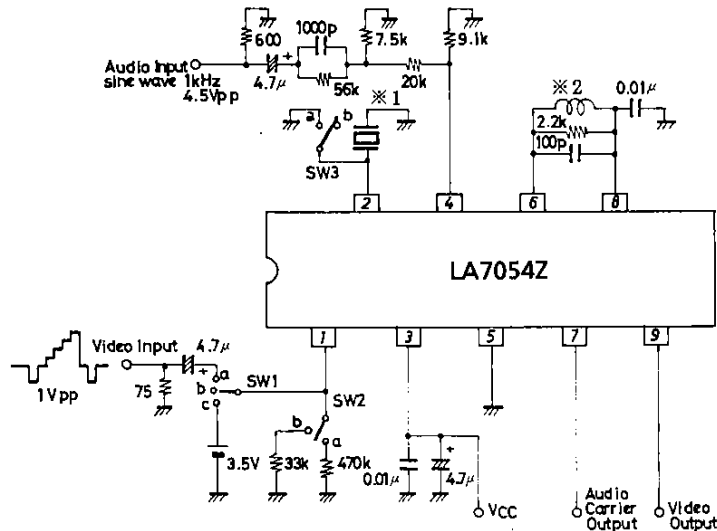
Operating Characteristics at Ta=25°C, VCC=5V

Parameter	Symbol	SW1	SW2	SW3	Conditions	min	typ	max	Unit
Current drain	I _{CC}	a	a	a		10	14	18	mA
Video clamp voltage	V _{CL}	a	b	a		1.35	1.60	1.85	V
White clip level	V _{wc}	c	-	a	V _{wc} =V ₁ -V _{CL} V ₁ : Output voltage	1.10	1.14	1.18	Vp-p
TSG output amplitude	V _{TO}	-	-	b		0.85	1.0	1.15	Vp-p
TSG V/S ratio	V/S	-	-	b		6.0/4.0	6.5/3.5	7.2/2.8	
Horizontal sync signal period	t _s	-	-	b		63.7	64.0	64.3	μs
Horizontal sync signal width	H _s	-	-	b		3.6	4.0	4.4	μs
White signal width	H _v	-	-	b		3.6	4.0	4.4	μs
Sync -1st white signal rise time	t _{v1}	-	-	b		22	24	26	μs
Sync -2nd white signal rise time	t _{v2}	-	-	b		38	40	42	μs
Audio carrier amplitude	V _{AO}	-	-	-		1.05	1.30	1.55	Vp-p
Audio modulation degree A	ms	-	-	-	Input signal : 1kHz, 4.5Vp-p, ±50kHz : 100%	73	81	89	%
Audio modulation degree B	ms	-	-	-		81	90	99	%
Audio modulation degree C	ms	-	-	-		90	100	110	%
Audio modulation degree D	ms	-	-	-		99	110	121	%
Audio modulation degree E	ms	-	-	-		109	121	133	%
Audio distortion	THD	-	-	-	Same as above	-	0.3	1.5	%

Equivalent Circuit Block Diagram



Test Circuit



- ※1: Ceramic resonator : Murata CSB500E54
 Toko BCRK500B
 ※2: 5.5MHz coil : Sumida 2239-334

Unit (resistance: Ω , capacitance : F)

- No products described or contained herein are intended for use in surgical implants, life-support systems, aerospace equipment, nuclear power control systems, vehicles, disaster/crime-prevention equipment and the like, the failure of which may directly or indirectly cause injury, death or property loss.
- Anyone purchasing any products described or contained herein for an above-mentioned use shall:
 - ① Accept full responsibility and indemnify and defend SANYO ELECTRIC CO., LTD., its affiliates, subsidiaries and distributors and all their officers and employees, jointly and severally, against any and all claims and litigation and all damages, cost and expenses associated with such use;
 - ② Not impose any responsibility for any fault or negligence which may be cited in any such claim or litigation on SANYO ELECTRIC CO., LTD., its affiliates, subsidiaries and distributors or any of their officers and employees jointly or severally.
- Information (including circuit diagrams and circuit parameters) herein is for example only; it is not guaranteed for volume production. SANYO believes information herein is accurate and reliable, but no guarantees are made or implied regarding its use or any infringements of intellectual property rights or other rights of third parties.

This catalog provides information as of **February, 1996**. Specifications and information herein are subject to change without notice.