

M51207L

DUAL COMPARATOR

DESCRIPTION

The M51207L is a dual (two independent) comparator and operates over a wide voltage range from a single supply voltage. Especially the M51207L has superiority as to characteristics of input current (input resistance) and fits to wide ranged applications, for example CR Timer, oscillator, etc.

FEATURES

- Low input current (high input resistance) 20nA (typ.)
- Wide supply voltage range 2.5V~28V
- Low dissipation current 3.8mA (typ.)
- Capable of driving a relay or a lamp directly
200mA (max.)
- Includes voltage surge absorbing zener diodes
- High output breakdown voltage 30V (max.)
- Low output voltage 0.2V (typ.)
- Low input offset voltage 2mV (typ.)

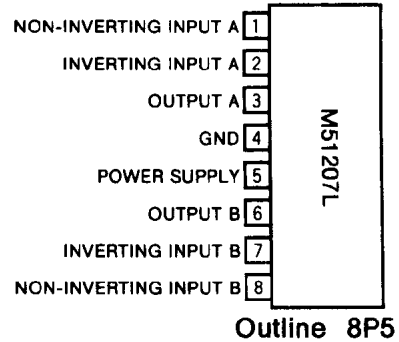
APPLICATION

Voltage comparator, window comparator, CR Timer, time delay circuit, oscillator, etc

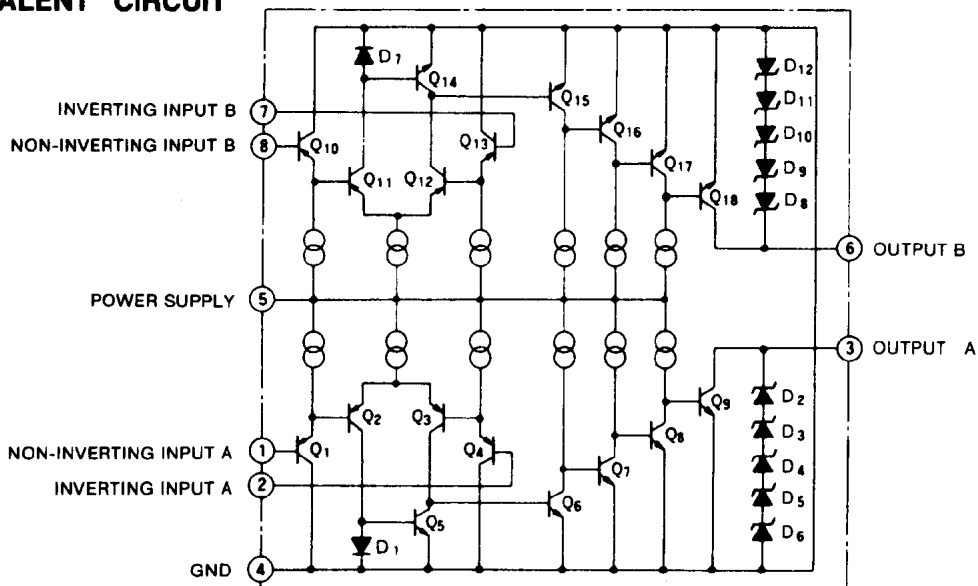
RECOMMENDED OPERATING CONDITIONS

- Supply voltage range 2.5~28V
- Rated supply voltage 12V

PIN CONFIGURATION (TOP VIEW)



EQUIVALENT CIRCUIT



DUAL COMPARATOR

ABSOLUTE MAXIMUM RATINGS ($T_a=25^\circ\text{C}$, unless otherwise noted)

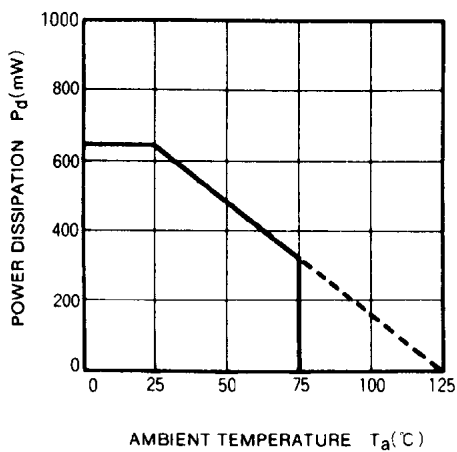
Symbol	Parameter	Conditions	Ratings	Unit
V_{CC}	Supply voltage		28	V
V_{ID}	Differential input voltage		V_{CC}	V
V_{ICM}	Common mode input voltage range		$-0.3 \sim V_{CC}$	V
I_{sink}	Output sink current		200	mA
V_{OH}	"H" output voltage		30	V
P_d	Power dissipation		650	mW
T_{opr}	Operating temperature		$-20 \sim +75$	$^\circ\text{C}$
T_{stg}	Storage temperature		$-40 \sim +125$	$^\circ\text{C}$

ELECTRICAL CHARACTERISTICS ($T_a=25^\circ\text{C}$, $V_{CC}=2.5 \sim 28\text{V}$, unless otherwise noted)

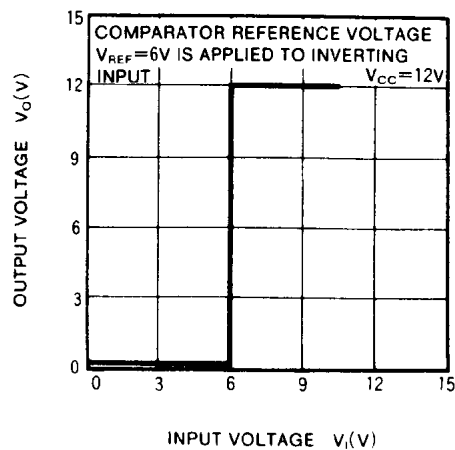
Symbol	Parameter	Test conditions	Limits			Unit
			Min	Typ	Max	
V_{CC}	Supply voltage range		2.5		28	V
I_{CC}	Circuit current			3.8	5.3	mA
V_{IE}	Inverting input voltage range		0		$V_{CC}-1.5$	V
V_{IF}	Non-inverting input voltage range		0		$V_{CC}-1.5$	V
V_{IO}	Input offset voltage			2	7	mV
I_{IE}	Inverting input current			20	100	nA
I_{IF}	Non-inverting input current			20	100	nA
I_{IO}	Input offset current			5	50	nA
V_{OL}	"L" output voltage	$I_{sink}=60\text{mA}$ $I_{sink}=200\text{mA}$		0.2	0.4	V
I_{LO}	Output leak current				0.1	μA
t_{PLH}	Output "L→H" propagation delay time			2		μs
t_{PHL}	Output "H→L" propagation delay time			1		μs

TYPICAL CHARACTERISTICS ($T_a=25^\circ\text{C}$, unless otherwise noted)

**THERMAL DERATING
(MAXIMUM RATING)**

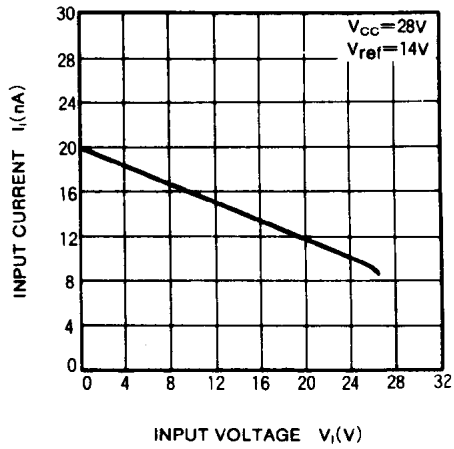


**OUTPUT VOLTAGE VS.
INPUT VOLTAGE**

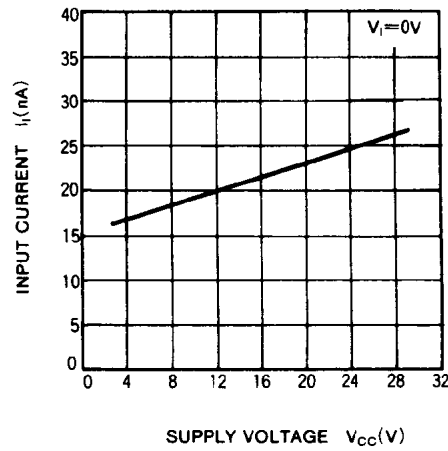


DUAL COMPARATOR

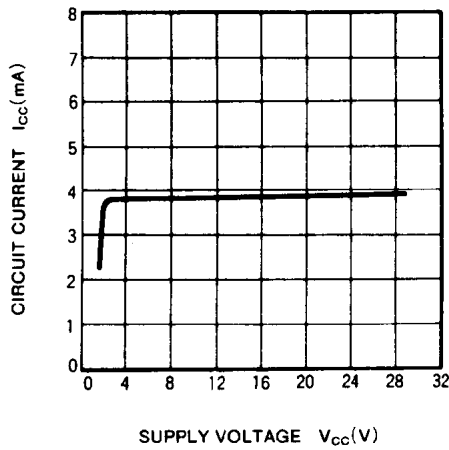
INPUT CURRENT VS. INPUT VOLTAGE



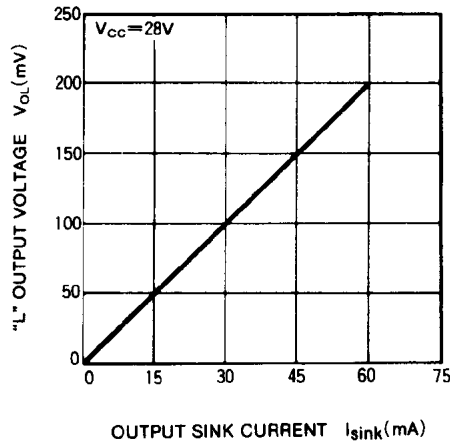
INPUT CURRENT VS. SUPPLY VOLTAGE



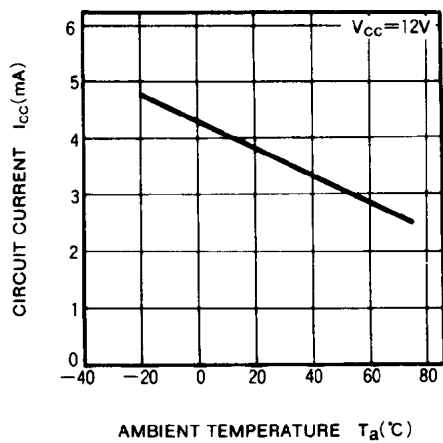
CIRCUIT CURRENT VS. SUPPLY VOLTAGE



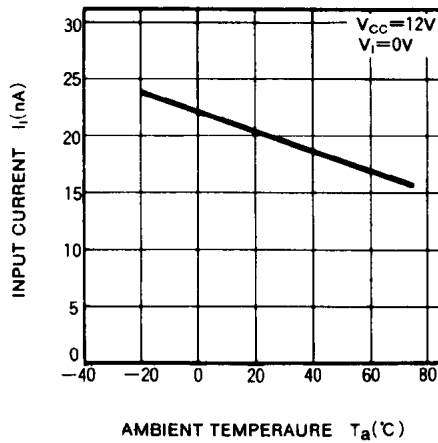
"L" OUTPUT VOLTAGE VS. OUTPUT SINK CURRENT



CIRCUIT CURRENT VS. AMBIENT TEMPERATURE



INPUT CURRENT VS. AMBIENT TEMPERATURE

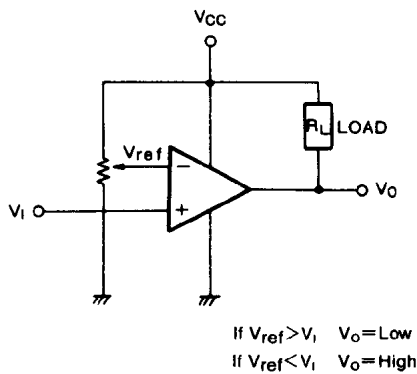


PRECAUTIONS FOR USE

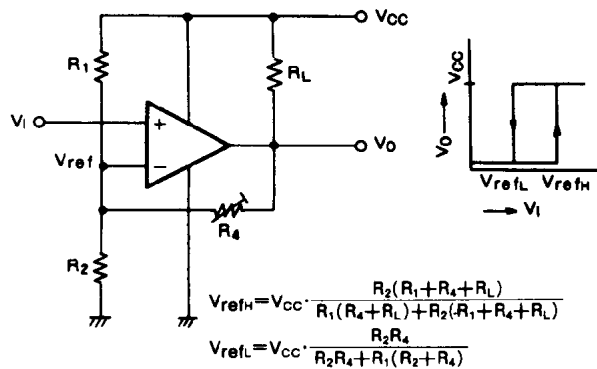
1. Special care must be taken to protect the M51207L from large surges in current, such as may result from the incorrect connection of the V_{CC} and GND terminals.
2. Output is "open collector" and a loading resistor is not included. Connect a loading resistor to stabilize operation, when driving another.

APPLICATION EXAMPLES

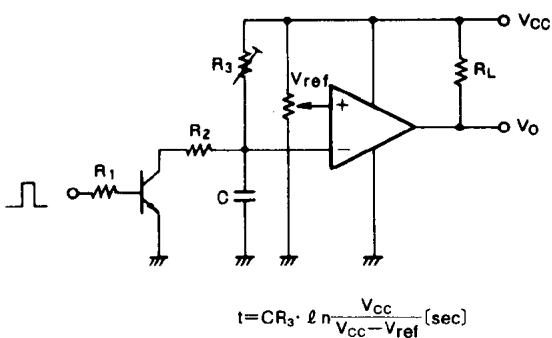
(1) Voltage comparator



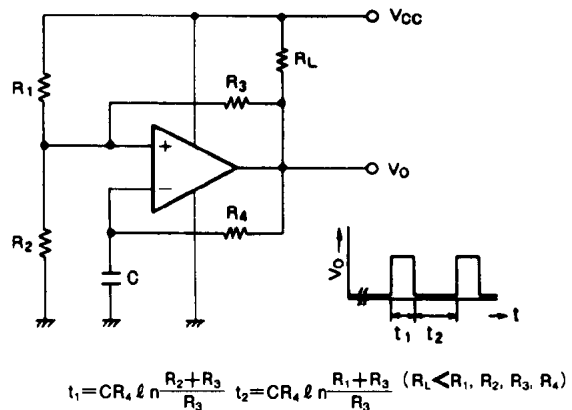
(2) Schmitt trigger circuit



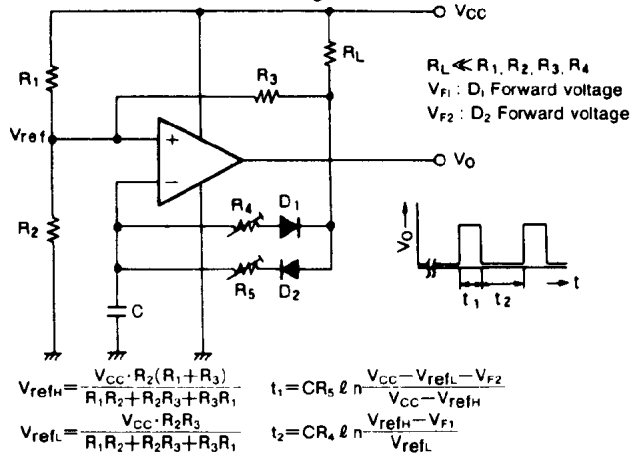
(3) Monostable multi-vibrator



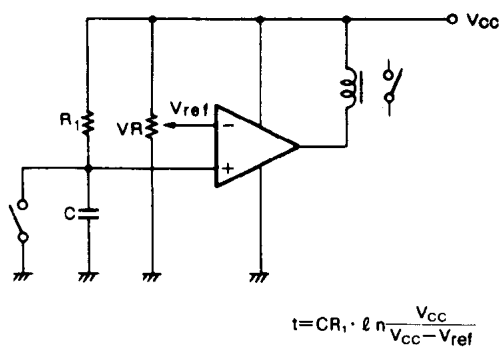
(4) Unstable multi-vibrator



(5) Pulse generator

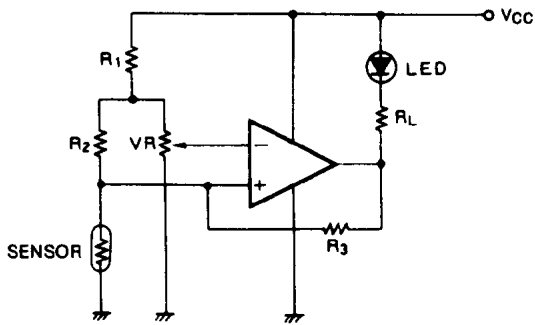


(6) CR Timer

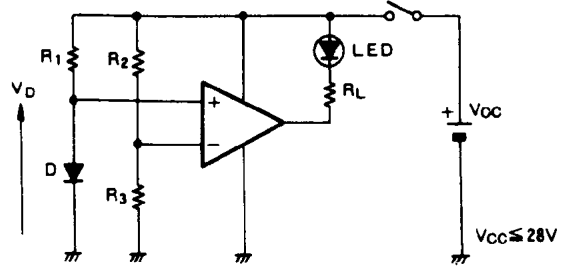


DUAL COMPARATOR

(7) Sensor detector



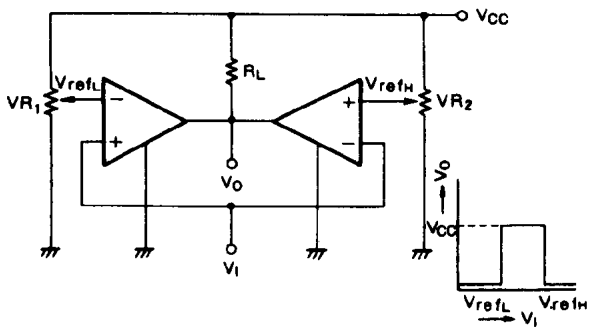
(8) Battery check circuit



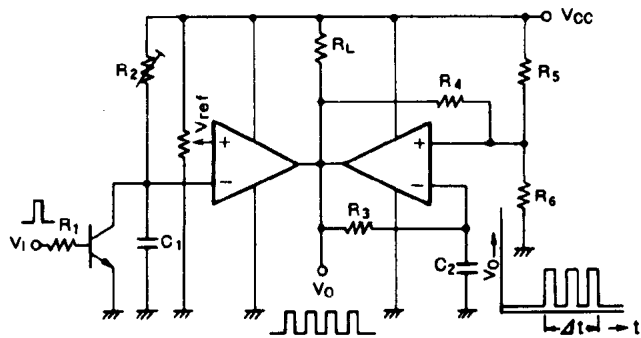
$$V_D < V_{CC} \cdot \frac{R_3}{R_2 + R_3}; \text{ LED} \rightarrow \text{ON}$$

$$V_D > V_{CC} \cdot \frac{R_3}{R_2 + R_3}; \text{ LED} \rightarrow \text{OFF}$$

(9) Window comparator

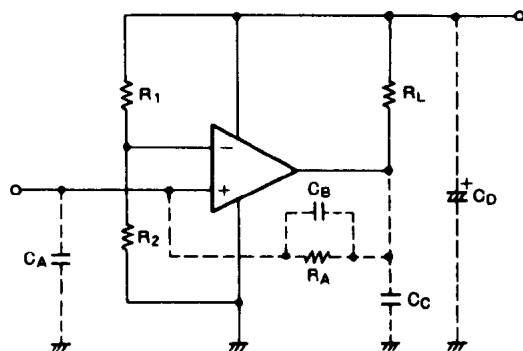


(10) Pulse train generator



$$\Delta t = C_1 R_2 \cdot \ln \frac{V_{CC}}{V_{CC} - V_{ref}}$$

(11) Countermeasure against oscillation



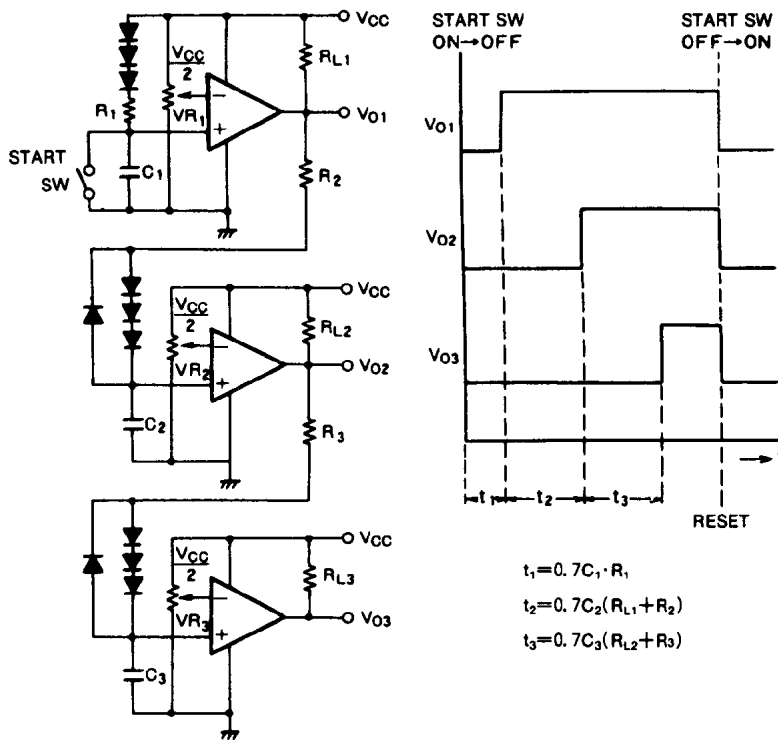
(Note) Taking steps against oscillation

The M51207L may oscillate according to input condition. If the M51207L should oscillate, the following countermeasures are applicable.

- In case of connecting input signal with chattering, connect a capacitor of small C_A value.
- In case of oscillation with ordinary input, employ positive feedback inserting R_A (large resistor), C_B (no polar) or connect C_C .
- When the supply voltage is not stabilized, connect C_D (a large electrolytic capacitor) to absorb the supply voltage change.

DUAL COMPARATOR

(12) Sequential timer



(13) Analog/Digital converter

