



## **DESCRIPTION**

PT2386 is an enhanced 3DAudio Effect IC utilizing CMOS Technology specially designed for the new generation of audio equipments. PT2386 features a bass booster function as well as the latest PTC 3D Audio Technology, thereby, guaranteeing highly powerful, extensive and true-to-life stereo sound stage effect. Furthermore, it does not need any additional complex external circuits making it very easy to design into any audio equipment products. Housed in 28 pins DIP package, PT2386 can operate at a wide operating voltage range and has low power consumption. Pin assignments and application circuit are optimized for easy PCB layout and cost saving benefits.

## **FEATURES**

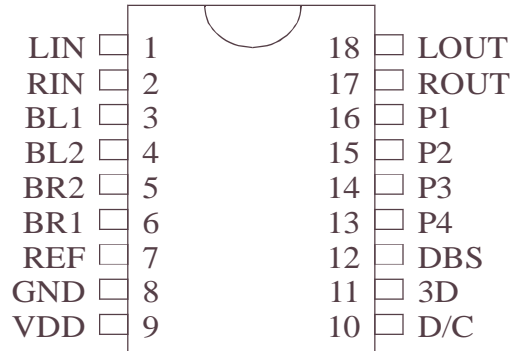
- CMOS Technology
- Wide Operating Voltage Range: VDD=4 V to 10 V
- Low Power Consumption
- Very Low Total Harmonic Distortion : THD < 0.01%
- Wide Output Voltage Range: Greater than 3Vrms
- PTC 3D Audio Technology
- Built-in 3D LED Driver
- 3D Effect Switching Mode: Direct or Cyclic
- Least External Components

## **APPLICATIONS**

- Multi-Media Audio Equipment
- Home Audio Equipment
- Portable Audio Equipment
- Car Audio Equipment
- Other Audio Equipment



### PIN CONFIGURATION



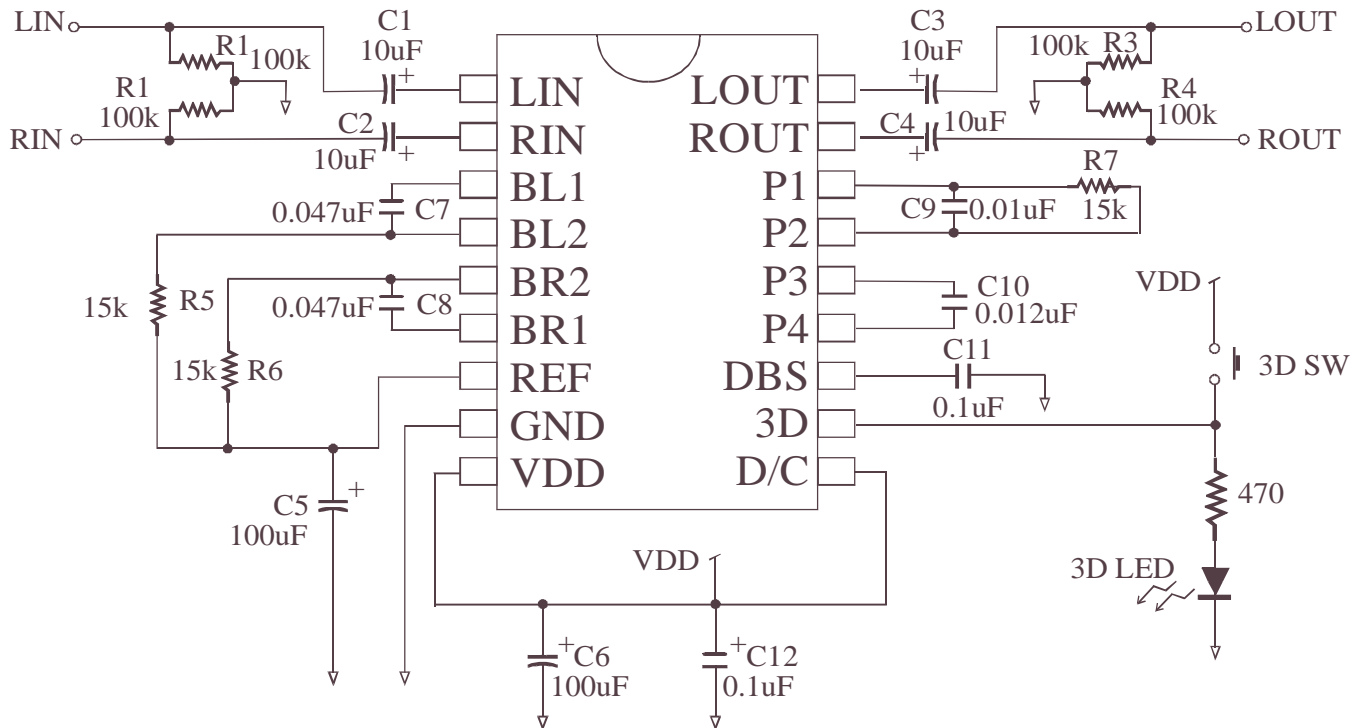
### ORDER INFORMATION

Valid Part Number	Package Type
PT2386	18 Pins, DIP Package (300 mil)
PT2386-S	18 Pins, SO Package (300 mil)



## APPLICATION CIRCUITS

### Cyclic Mode with 3D Effect & Bass Booster Function





**Direct Mode with 3D Effect & Bass Booster Function**

