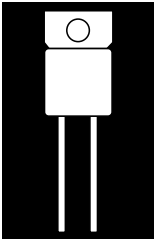


1N6778, JANTX1N6778, JANTXV1N6778  
1N6779, JANTX1N6779, JANTXV1N6779

## JANTX, JANTXV POWER RECTIFIER, SINGLE TO-257AA PACKAGE, QUALIFIED TO MIL-PRF-



400V & 600V, 15A, Ultra-Fast Power Rectifiers in  
TO-257AA Hermetic 2 Pin Package

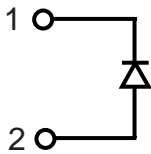
### FEATURES

- High Current
- Isolated and Hermetically Sealed
- Low Forward Voltage
- Ultra-Fast
- Qualified to MIL-PRF-19500/647

### DESCRIPTION

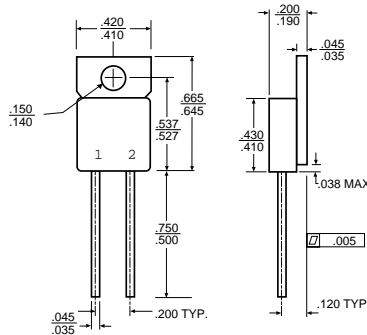
This hermetically packaged QPL product features the latest advanced silicon and packaging technology. It is ideally suited for Military low voltage rectifier requirements where small size, high performance and high reliability are required, and in applications such as switching power supplies, motor controls, inverters, choppers, audio amplifiers and high energy pulse circuits.

### SCHEMATIC



1 = Cathode  
2 = Anode

### MECHANICAL OUTLINE



TO-257AA  
2-Pin