

AS85049/51, MS3418, and M83723/15A Strain Reliefs

Glenair Connector Designator A

MIL-DTL-5015 Series 3400,
MIL-DTL-26482 Series 2,
AS81703 Series 3,
MIL-DTL-83723 Series I &
III, 40M39569, DEF 5326-3,
EN 2997, EN 3646,
ESC 10, ESC 11, LN 29504,
NFC93422 Series HE302,
PAN 6432-1, PAN 6432-2,
PATT 602

M85049/51 S 10 W

Basic Part No. _____
S = Self-Locking _____
-1- = Non-Self-Locking _____
Dash No. _____

Material and Finish Designator
A = Aluminum, Black Anodize
N = Aluminum, Electroless Nickel
W = Aluminum, 1,000 Hour Cadmium
Olive Drab Over Electroless
Nickel

MS3418-10 C

Basic Part No. _____
(Non-Self-Locking Only) _____
Dash No. _____

SUPERCEDED SPEC.

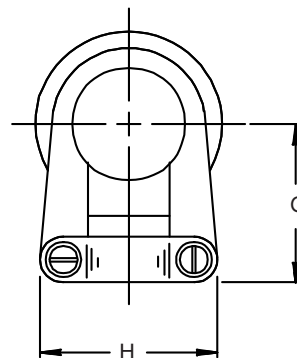
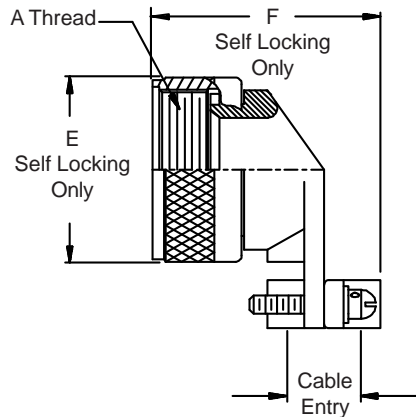
Material and Finish Designator
A = Alum., 1,000 Hour Cadmium Olive
Drab Over Electroless Nickel
C = Aluminum, Cadmium Olive Drab
G = Aluminum, Black Anodize
N = Aluminum, Electroless Nickel

M83723/15A-10 A

Basic Part No. _____
(Non-Self-Locking Only) _____
Dash No. _____

SUPERCEDED SPEC.

Finish Designator
A = Non-Conductive, Black Anodize
R = Conductive, Electroless Nickel



AS85049/51, MS3418, and M83723/15A
Strain Reliefs



Strain
Reliefs

TABLE I

Dash No.	A Thread Class 2B	E Dia Max Self-Locking	F Max Self-Locking	G		H		Cable Entry	
				±.062 (1.6)	±.020 (.5)	Min	Max		
3**	.562 - 24 UNEF	n/a	n/a	.777 (19.7)	.732 (18.6)	.125 (3.2)	.204 (5.2)		
8	.500 - 20 UNF	.885 (22.5)	1.257 (31.9)	.746 (18.9)	.732 (18.6)	.125 (3.2)	.204 (5.2)		
10	.625 - 24 UNEF	1.010 (25.7)	1.339 (34.0)	.805 (20.4)	.812 (20.6)	.187 (4.7)	.286 (7.3)		
12	.750 - 20 UNEF	1.135 (28.8)	1.532 (38.9)	.867 (22.0)	.968 (24.6)	.291 (7.4)	.416 (10.6)		
14	.875 - 20 UNEF	1.260 (32.0)	1.592 (40.4)	.930 (23.6)	1.026 (26.1)	.351 (8.9)	.476 (12.1)		
16	1.000 - 20 UNEF	1.385 (35.2)	1.741 (44.2)	.994 (25.2)	1.299 (33.0)	.501 (12.7)	.626 (15.9)		
18	1.062 - 18 UNEF	1.510 (38.4)	1.853 (47.1)	1.171 (29.7)	1.431 (36.3)	.518 (13.2)	.706 (17.9)		
20	1.188 - 18 UNEF	1.635 (41.5)	1.978 (50.2)	1.234 (31.2)	1.537 (39.0)	.581 (14.8)	.831 (21.1)		
22	1.313 - 18 UNEF	1.760 (44.7)	2.108 (53.5)	1.296 (32.9)	1.633 (41.5)	.644 (16.4)	.956 (24.3)		
24	1.438 - 18 UNEF	1.885 (47.9)	2.228 (56.6)	1.358 (34.5)	1.755 (44.6)	.706 (17.9)	1.081 (27.5)		
28*	1.750 - 18 UNS	2.135 (54.2)	2.528 (64.2)	1.572 (39.9)	2.000 (50.8)	.750 (19.1)	1.187 (30.1)		
32*	2.000 - 18 UNS	2.395 (60.8)	2.591 (65.8)	1.797 (45.6)	2.366 (60.1)	.875 (22.2)	1.250 (31.8)		
36*	2.250 - 16 UN	2.635 (66.9)	2.716 (69.0)	1.922 (48.8)	2.476 (62.9)	.938 (23.8)	1.375 (34.9)		
40*	2.500 - 16 UN	2.885 (73.3)	2.841 (72.2)	2.047 (52.0)	2.546 (64.7)	.938 (23.8)	1.500 (38.1)		
44*	2.750 - 16 UN	3.135 (79.6)	3.091 (78.5)	2.296 (58.3)	2.840 (72.1)	1.188 (30.2)	1.750 (44.5)		
48*	3.000 - 16 UN	3.385 (86.0)	3.216 (81.7)	2.421 (61.5)	3.324 (84.4)	1.312 (33.3)	1.875 (47.6)		
61**	1.500 - 18 UNEF	n/a	n/a	1.388 (35.3)	1.755 (44.6)	.706 (17.9)	1.081 (27.5)		

* Not Available in Self Locking
+ Not Available under M83723/15A

1. For complete dimensions see applicable Military Specification.
2. Metric dimensions (mm) are indicated in parentheses.
3. Cable Entry is defined as the accommodation entry for the wire bundle or cable.
Dimensions are not intended for inspection criteria.