

**Glenair Connector  
Designator F**

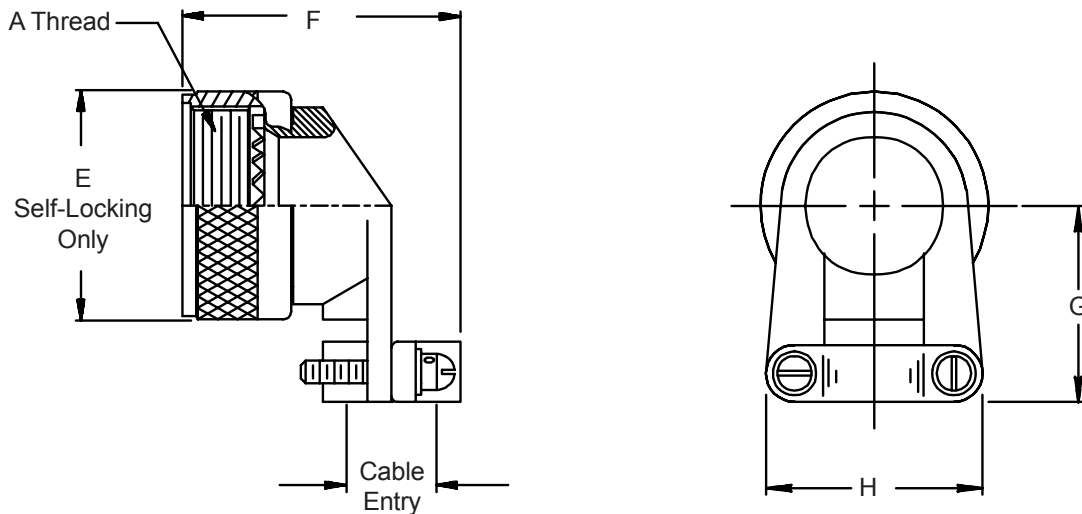
MIL-DTL-38999 Series I & II,  
40M38277, PAN 6433-1, PATT  
614, PATT 616,  
NFC93422 Series HE308 &  
HE309

**M85049/47 S W 10**

Basic Part No. \_\_\_\_\_ Dash No. \_\_\_\_\_  
Material and Finish Designator \_\_\_\_\_  
S = Self-Locking \_\_\_\_\_ N = Aluminum, Electroless Nickel  
Omit for Non-Self-Locking S = 300 Series Steel, Passivated  
W = Aluminum, 1,000 Hour Cadmium Olive  
Drab Over Electroless Nickel

**MS27507 B-10** **SUPERCEDED SPEC.**

Basic Part No. \_\_\_\_\_ Dash No. \_\_\_\_\_  
(Non-Self-Locking)  
Material and Finish Designator \_\_\_\_\_  
B = Aluminum, 500 Hour Cadmium Olive  
Drab Over Electroless Nickel  
F = Aluminum, Electroless Nickel


**TABLE I**

Dash No.	Shell Size Ref.	A Thread Class 2B	E Dia Max	F Max	G Max	H Max	Cable Entry	
							Min	Max
8	8/9	.438 - 28 UNEF	.86 (21.8)	1.38 (35.1)	1.00 (25.4)	.85 (21.6)	.098 (2.5)	.234 (5.9)
10	10/11	.562 - 24 UNEF	.98 (24.9)	1.38 (35.1)	1.10 (27.9)	.90 (22.9)	.153 (3.9)	.234 (5.9)
12	12/13	.688 - 24 UNEF	1.16 (29.5)	1.46 (37.1)	1.10 (27.9)	1.10 (27.9)	.190 (4.8)	.328 (8.3)
14	14/15	.813 - 20 UNEF	1.28 (32.5)	1.63 (41.4)	1.25 (31.8)	1.15 (29.2)	.260 (6.6)	.457 (11.6)
16	16/17	.938 - 20 UNEF	1.41 (35.8)	1.80 (45.7)	1.30 (33.0)	1.30 (33.0)	.283 (7.2)	.614 (15.6)
18	18/19	1.063 - 18 UNEF	1.52 (38.6)	1.82 (46.2)	1.35 (34.3)	1.50 (38.1)	.325 (8.3)	.634 (16.1)
20	20/21	1.188 - 18 UNEF	1.64 (41.7)	1.90 (48.3)	1.60 (40.6)	1.60 (40.6)	.343 (8.7)	.698 (17.7)
22	22/23	1.313 - 18 UNEF	1.77 (45.0)	2.04 (51.8)	1.75 (44.5)	1.70 (43.2)	.381 (9.7)	.823 (20.9)
24	24/25	1.438 - 18 UNEF	1.89 (48.0)	2.15 (54.6)	1.85 (47.0)	1.80 (45.7)	.418 (10.6)	.853 (21.7)

1. For complete dimensions see applicable Military Specification.
2. Metric dimensions (mm) are indicated in parentheses.
3. Cable Entry is defined as the accomodation entry for the wire bundle or cable. Dimensions are not intended for inspection criteria.