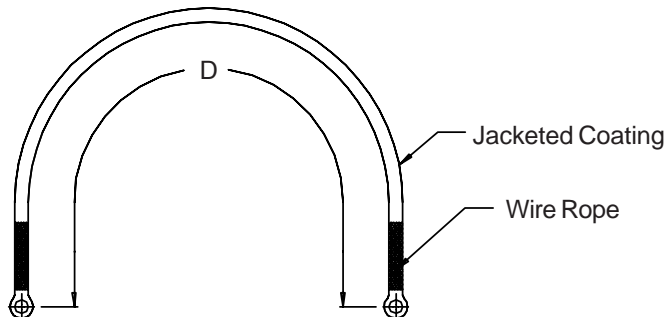


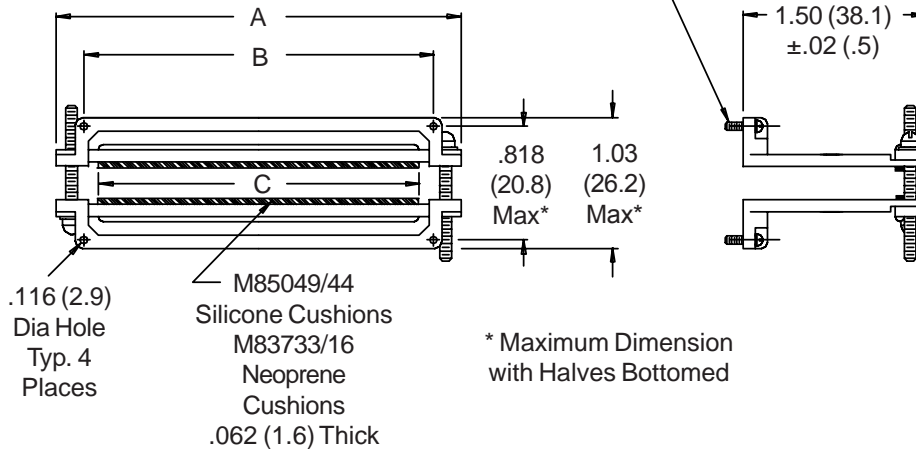
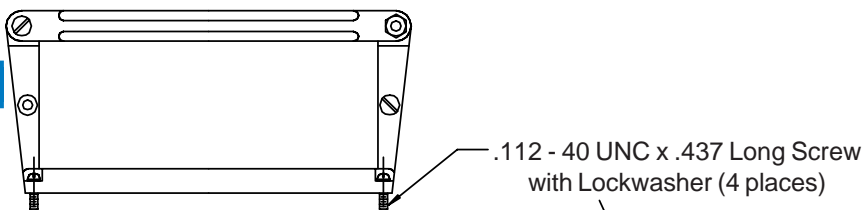
M85049/44
Strain-Relief Backshell
for Superceded M83733/16

M85049/44-3
Basic Part No. _____
Dash No. _____



Superceded Part Number

M83733/16-3
Basic Part No. _____
Dash No. _____



**TABLE I:
CONNECTOR INTERFACE DIMENSIONS**

Dash No.	A ±.062 (1.57)	B ±.005 (.13)	C ±.062 (1.57)
1	2.437 (61.90)	1.895 (48.13)	1.700 (43.18)
2	3.750 (95.25)	3.195 (81.15)	3.000 (76.20)
3	2.437 (61.90)	1.895 (48.13)	1.700 (43.18)
4	3.750 (95.25)	3.195 (81.15)	3.000 (76.20)

* No Wire Rope Supplied

1. For complete dimensions see applicable Military Specification.
2. Metric dimensions (mm) are indicated in parentheses.