

---

## Product Specification

---

### Long-Wavelength GBIC Transceiver

---

#### FTR-1319-3D

---

#### Product Features

- Up to 1.25Gb/s bi-directional data links
- 1310nm Fabry-Perot laser transmitter
- Optional Digital Diagnostics
- Extended operating temperature range (-10°C to +85°C)
- Compatible with 3.3 & 5V systems
- Hot-pluggable (complies with GBIC specification Rev. 5.5)
- Fully metallic enclosure for low EMI
- Low power dissipation



#### Applications

- 1.0625 Gb/s Fibre Channel
- 1.25 Gigabit Ethernet

Finisar's FTR-1319-3D 1310nm GBIC transceivers comply with GBIC Specification Revision 5.5<sup>1</sup>. They are compatible with Gigabit Ethernet as specified in IEEE 802.3<sup>2</sup>, Fibre Channel FC-PH, PH2, PH3<sup>3</sup> and FC-PI 13.0<sup>4</sup>.

#### Product Selection

Part Number	Digital Diagnostics?
FTR-1319-3D	No
FTR-1319-3D-DD	Yes

**I. Pin Out**

<b>Pin Name</b>	<b>Pin #</b>	<b>Sequence</b>
RX_LOS	1	2
GND	2	2
GND	3	2
MOD_DEF(0)	4	2
MOD_DEF(1)	5	2
MOD_DEF(2)	6	2
TX_DISABLE	7	2
GND	8	2
GND	9	2
TX_FAULT (not supported)	10	2
GND	11	1
-RX_DAT	12	1
+RX_DAT	13	1
GND	14	1
V <sub>CC</sub>	15	2
V <sub>CC</sub>	16	2
GND	17	1
+TX_DAT	18	1
-TX_DAT	19	1
GND	20	1

**Table 1. GBIC to host connector pin assignment**

“Sequence” indicates the order in which pins make contact when the device is hot plugged. See “Table 3: Signal Definitions” in the GBIC Specification Revision 5.5.<sup>1</sup>

## II. Electrical Power Interface

Finisar FTR-1319-3D GBICs have an extended power supply voltage range of 3.15 V to 5.5 V as described in Table 2. They are compatible with both 3.3V and 5 V systems.

Parameter	Symbol	Min	Typ	Max	Units	Notes/Conditions
Supply Current	$I_s$		200	300	mA	
Inrush Current	$I_{surge}$			+30	mA	Hot plug, above steady state current.
Absolute Supply Voltage	$V_{max}$	-0.3		6	V	Not to be applied continuously
Operating Supply Voltage	$V_{cc}$	3.15		5.5	V	Referenced to GND

**Table 2. Electrical power interface**

## III. Low Speed Signals

RX\_LOS and TX\_DISABLE are TTL signals as described in Table 3. MOD\_DEF(1) (SCL) and MOD\_DEF(2) (SDA), are open drain CMOS signals (see section VIII, “Serial Communication Protocol”). Both MOD\_DEF(1) and MOD\_DEF(2) must be pulled up to host\_Vcc. For more detailed information, see sections 5.3.1 – 5.3.8 in the GBIC Specification Rev. 5.5<sup>1</sup>.

Parameter	Symbol	Min	Max	Units	Notes/Conditions
GBIC Output LOW	$V_{OL}$	0	0.5	V	4.7k to 10k pull-up to host_Vcc, measured at host side of connector
GBIC Output HIGH	$V_{OH}$	host_Vcc - 0.5	host_Vcc + 0.3	V	4.7k to 10k pull-up to host_Vcc, measured at host side of connector
GBIC Input LOW	$V_{IL}$	0	0.8	V	4.7k to 10k pull-up to Vcc, measured at GBIC side of connector
GBIC Input HIGH	$V_{IH}$	2	Vcc + 0.3	V	4.7k to 10k pull-up to Vcc, measured at GBIC side of connector

**Table 3. Low speed signals – electronic characteristics**

Parameter	Symbol	Min	Typ	Max	Units	Notes/Conditions
RX_LOS Assert Level	--	-31			dBm	
RX_LOS Deassert Level	--			-20	dBm	
RX_LOS Hysteresis	--	0.5			dB	
RX_LOS Assert Delay	t_loss_on			100	μsec	From detection of loss of signal to assertion of RX_LOS
RX_LOS Negate Delay	t_loss_off			100	μsec	From detection of presence of signal to negation of RX_LOS
TX_DISABLE Assert Time	t_off			10	μsec	Rising edge of TX_DISABLE to fall of output signal below 10% of nominal
TX_DISABLE Negate Time	t_on			1000	μsec	Falling edge of TX_DISABLE to rise of output signal above 90% of nominal
TX_DISABLE Reset Time	t_reset	10			μsec	TX_DISABLE HIGH before TX_DISABLE set LOW

Table 4. Low speed signal parameters

#### IV. High Speed Electrical Interface

All high-speed PECL signals are AC-coupled internally.

Parameter	Symbol	Min	Typ	Max	Units	Notes/Conditions
Data Input Voltage	V <sub>in</sub>	650		2000	mV	PECL differential peak - peak
Data Output Voltage	V <sub>out</sub>	370		2000	mV	PECL differential peak - peak
PECL rise/fall	t <sub>r</sub> , t <sub>f</sub>			260	psec	20% -80% differential
Bit Error Rate	BER			10 <sup>-12</sup>		PRBS 2 <sup>7</sup> - 1 test data pattern
Tx Input Impedance	Z <sub>in</sub>		75		Ohm	
Rx Output Impedance	Z <sub>out</sub>		75		Ohm	

Table 5. High-speed electrical interface

## V. Optical Parameters

Parameter	Symbol	Min	Typ	Max	Units	Notes/Conditions
<b>TRANSMITTER CHARACTERISTICS</b>						
Transmitter Center Wavelength	$\lambda_c$	1270	1310	1355	nm	
Transmitter Spectral Width	$\Delta\lambda_{RMS}$			4	nm	RMS. Also meets curves in FC-PI 10.0 Figures 18.
Transmitter Optical Output Power	$P_{out}$	-9	-6	-3	dBm	Average power coupled into single mode fiber
Transmitter Extinction Ratio	OMI	9			dB	
Transmitter Eye Opening	--	60			%	Conforms to IEEE 802.3 and Fibre Channel Eye Masks
Transmitter Rise/Fall Time	tr /tf			260	ps	20%-80% differential unfiltered
Total Transmitter Jitter				160	ps	Peak to peak, filtered
Relative Intensity Noise	RIN			-120	dB / Hz	
<b>RECEIVER CHARACTERISTICS</b>						
Optical Input Wavelength	$\lambda_{in}$	1270		1355	nm	
Receiver Reflectance	$R_{RX}$			-14	dB	
Optical Input Power (1.25GB/s)	$P_{in}$	-19		-3	dBm	BER < $10^{-12}$ w/ PRBS
Optical Input Power (1.0625Gb/s)	$P_{in}$	-20		-3	dBm	$2^7 - 1$ test pattern
Total Receiver Jitter				160	ps	Peak to peak, filtered in loopback

**Note:** Parameters are specified over temperature and voltage, at end of life unless otherwise noted.

**Table 6. Optical parameters**

## VI. General Specifications

Parameter	Symbol	Min	Typ	Max	Units	Notes/Conditions
Data Rate	BR		1.25 1.0625		Gb/sec	Fibre Channel, IEEE 802.3 Compatible
Fiber Length	L			10,000	m	9 $\mu$ m Core Single Mode Fiber
Fiber Length	L			550	m	50 $\mu$ m 500MHz-km Fiber
Fiber Length	L			275	m	62.5 $\mu$ m 200MHz-km Fiber

**Table 7. General specifications**

## VII. Environmental Specifications

Note that the GBIC Specification requires an ambient temperature range of 0 to 50°C. The FTR-1319-3D has an extended range from –10°C to +85°C case temperature as specified in Table 8.

Parameter	Symbol	Min	Typ	Max	Units	Notes/Conditions
Operating Temp	T <sub>op</sub>	-10		85	°C	Case Temperature
Relative Humidity	RH	0		85	%	Non Condensing
Storage Temp	T <sub>sto</sub>	-40		85	°C	
Eye Safety	--					CDRH and IEC-825 Class 1 Laser Product. See Note 1

**Note 1:** Complies with FDA performance standards for laser products except for deviations pursuant to Laser Notice No. 50, dated July 26, 2001.

**Table 8. Environmental specifications**

## VIII. Serial Communication Protocol

All Finisar optical GBICs implement serial identification features described for ‘Module Definition “4”’ as outlined in Annex D of the GBIC Specification <sup>1</sup>. These GBICs use an Atmel AT24C01A 128 byte E<sup>2</sup>PROM at address A0H. For details on interfacing with the E<sup>2</sup>PROM, see the Atmel data sheet titled “AT24C01A/02/04/08/16 2-Wire Serial CMOS E<sup>2</sup>PROM.” <sup>5</sup>

Parameter	Symbol	Min	Typ	Max	Units	Notes/Conditions
I <sup>2</sup> C Clock for Atmel (A0H) and Controller IC (A2H)	C <sub>atmel</sub>	0		100,000	Hz	Bus can be driven blind

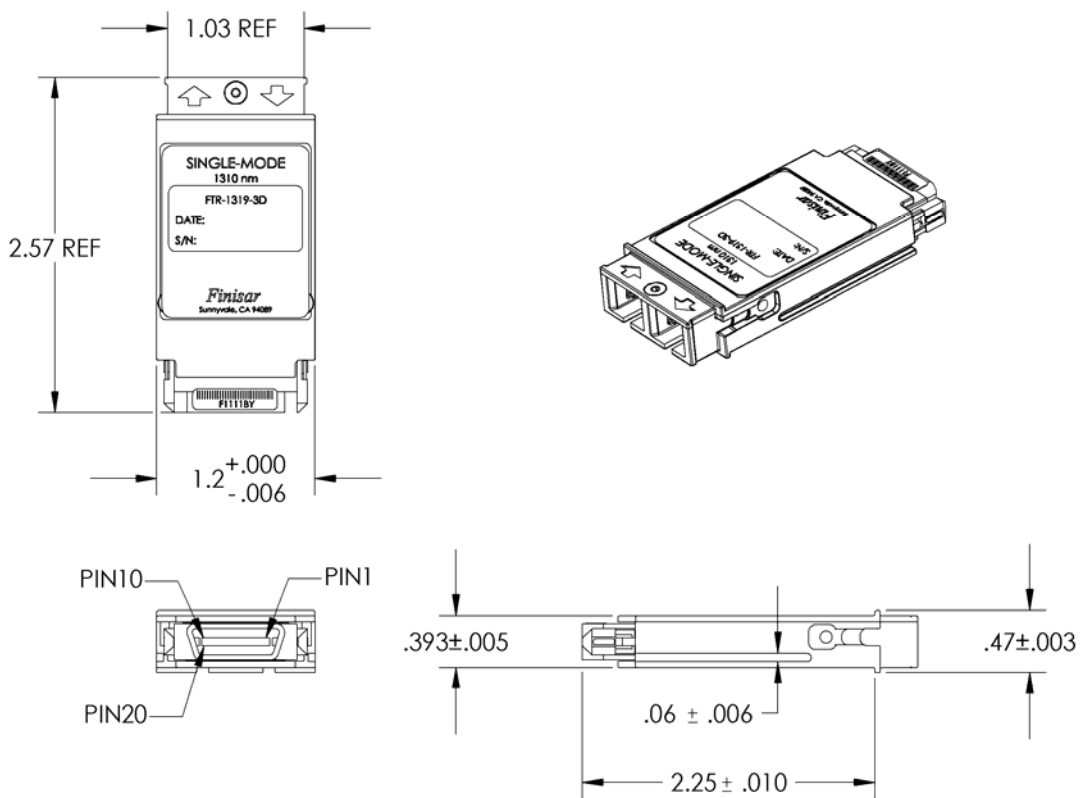
**Table 9. I<sup>2</sup>C timing requirements**

**IX. Mechanical Specifications**

Finisar GBICs are compatible with the mechanical specifications outlined in the GBIC Specification Revision 5.5, Section 6<sup>1</sup>.

Insertion, Extraction, and Retention Forces						
Parameter	Symbol	Min	Typ	Max	Units	Notes/Conditions
GBIC insertion	F <sub>I</sub>	0		20	Newtons	~4.5 lbs
GBIC extraction	F <sub>E</sub>	0		15	Newtons	~3.3 lbs
GBIC retention	F <sub>R</sub>	130		N/A	Newtons	Straight out ~29.3 lbs

**Table 10. Insertion, extraction, and retention forces**



**Figure 1. GBIC outline drawing**

**X. References**

1. “Gigabit Interface Converter (GBIC) Revision 5.5”. Sun Microsystems Computer Company et. al., August 16, 1999. <http://playground.sun.com/pub/OEmod/>
2. IEEE Std 802.3. IEEE Standards Department, 2002.
3. “Fibre Channel Physical and Signaling Interface (FC-PH, FC-PH2, FC-PH3)”. American National Standard for Information Systems.
4. “Fibre Channel Draft Physical Interface Specification (FC-PI 13.0). American National Standard for Information Systems.
5. “AT24C01A/02/04/08/16 2-Wire Serial CMOS E<sup>2</sup>PROM”. Atmel Corporation. [www.Atmel.com](http://www.Atmel.com)

**XI. For More Information**

Finisar Corporation  
1389 Moffett Park Drive  
Sunnyvale, CA 94089-1134  
Tel. 1-408-548-1000  
Fax 1-408-541-6138  
[sales@finisar.com](mailto:sales@finisar.com)  
[www.finisar.com](http://www.finisar.com)