

New Jersey Semi-Conductor Products, Inc.

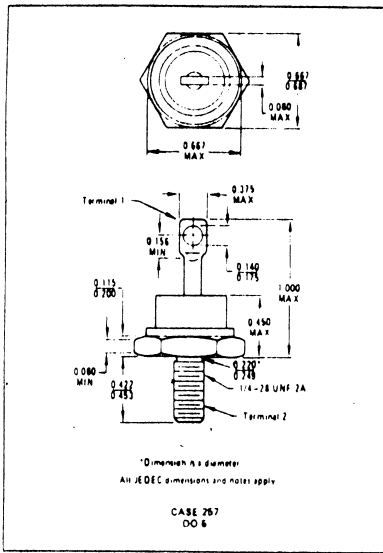
20 STERN AVE.
 SPRINGFIELD, NEW JERSEY 07081
 U.S.A.

TELEPHONE: (973) 376-2922
 (212) 227-6005
 FAX: (973) 376-8960

1N248B, C thru 1N250B, C

MAXIMUM RATINGS

1N1191 thru 1N1198
1N1195A thru 1N1198A
1N3213, 1N3214



MECHANICAL CHARACTERISTICS
 CASE: Welded, hermetically sealed
 FINISH: All external surfaces corrosion resistant and readily solderable
 POLARITY: Cathode to Case
 WEIGHT: 17 Grams (Approximately)

Rating	Symbol	Value	Unit
Peak Repetitive Reverse Voltage and DC Blocking Voltage 1N248B, 1N1191 1N248C 1N249B, 1N1192 1N249C 1N1193 1N250B, 1N1194 1N250C 1N1195, 1N1195A 1N1196, 1N1196A 1N1197, 1N1197A, 1N3213 1N1198, 1N1198A, 1N3214	V_{RM} (rep) V_R	50 55 100 110 150 200 220 300 400 500 600	Volts
RMS Reverse Voltage 1N248B, 1N1191 1N248C 1N249B, 1N1192 1N249C 1N1193 1N250B, 1N1194 1N250C 1N1195, 1N1195A 1N1196, 1N1196A 1N1197, 1N1197A, 1N3213 1N1198, 1N1198A, 1N3214	V_R	35 38.5 70 77 105 140 154 210 280 350 420	Volts
Average 1/2-Wave Rectified Forward Current (Resistive Load, 60 Hz, $T_C = 150^\circ C$)	I_O	20	Amp
Peak Repetitive Forward Current ($T_C = 150^\circ C$)	I_{FM} (rep)	90	Amp
Peak Surge Current ($T_C = 150^\circ C$, superimposed on Rated Current at Rated Voltage, 1/2-Cycle, 1/120 sec)	I_{FM} (surge)	350	Amp

THERMAL CHARACTERISTICS

Maximum Operating and Storage Temperature: -65 to $+190^\circ C$
 Maximum Thermal Impedance, Junction to Case: $\theta_{JC} = 1.50^\circ C/W$ DC

Characteristics	Symbol	Max	Unit
Full Cycle Average Forward Voltage Drop (I_O (max), rated V_R , 60 cps, $T_C = 150^\circ C$)	$V_{F(AV)}$	0.6	Volts
Instantaneous Forward Voltage Drop ($I_F = 100$ Amps, $T_J = 25^\circ C$)	V_F	1.5	Volts
Full Cycle Average Reverse Current (I_O (max), rated V_R , 60 cps, $T_C = 150^\circ C$) 1N248B thru 1N250B, 1N1191 thru 1N1198 1N248C 1N249C 1N250C 1N1195A 1N1196A 1N1197A 1N1198A 1N3213 and 1N3214	$I_{R(AV)}$	5.0 3.8 3.6 3.4 3.2 2.5 2.2 1.5 10.0	mA
DC Reverse Current	I_R		mA