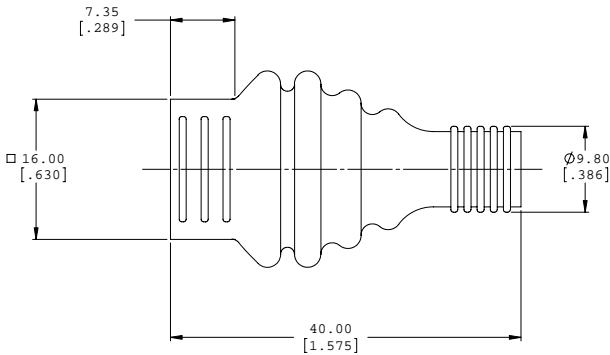
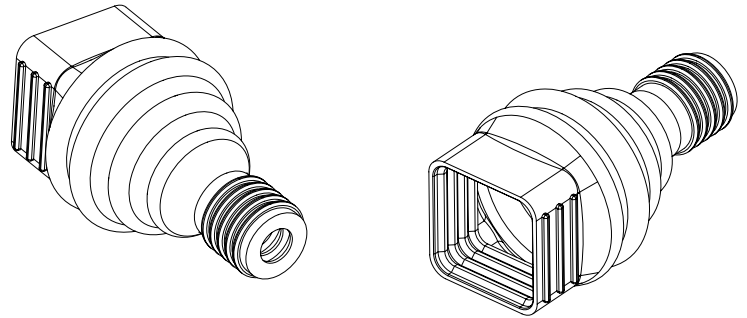
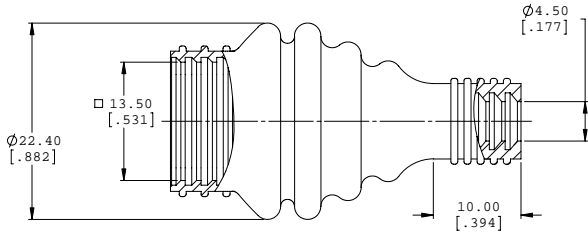


REVISIONS			
REV	ECN, ERN NO.	DATE	APPRD.
B	ECN E08315	NOV20/07	K.L.



**NOTES:**

1. MATERIAL: CLEAR SILICONE RUBBER.
2. OPERATING TEMPERATURE: -40°C TO +150°C.
3. PART IS ROHS COMPLIANT PER EU DIRECTIVE 2002/95/EC AND AMENDMENTS.
4. PART SUPPLIED BULK PACKED.

AMPHENOL PART NUMBER MRJ-258E-11-BP



UNLESS OTHERWISE SPECIFIED:		DATE	Amphenol Canada Corp.	
DIMENSIONS ARE IN MILLIMETERS	DRAWN	A.DODDS	TITLE:	
TOLERANCES	DESIGNED		MRJ SERIES BOOT FOR	
FRACTIONS	CHECKED	K.LAMBE	RJ PLUG & CABLE,	
ANGULAR MATCH	APP'D		RoHS COMPLIANT	
TWO PLACE DECIMAL			SIZE	DWG. NO.
THREE PLACE DECIMAL			C	P-MRJ-258E-11-BP
			REV	B
NET/NET GEOMETRIC:	ENG. DES. NO.	EAR F13132	SCALE:	3:1
PLACING DIMS	REF.		WEIGHT:	
MATERIAL:	APP'D			SHEET 1 OF 1
CODE ID. NO.				

PROPRIETARY AND CONFIDENTIAL  
THIS DOCUMENT CONTAINS  
PROPRIETARY INFORMATION AND SUCH  
INFORMATION MAY NOT BE DISCLOSED  
TO OTHERS FOR ANY PURPOSE OR USED  
FOR MANUFACTURING PURPOSES  
WITHOUT THE WRITTEN PERMISSION FROM  
AMPHENOL CANADA CORP.

DO NOT SCALE DRAWING  
THIS DOCUMENT CONTAINS PROPRIETARY INFORMATION AND SUCH INFORMATION MAY NOT BE DISCLOSED TO OTHERS FOR ANY PURPOSE OR USED FOR MANUFACTURING PURPOSES WITHOUT PERMISSION FROM AMPHENOL CANADA CORP.