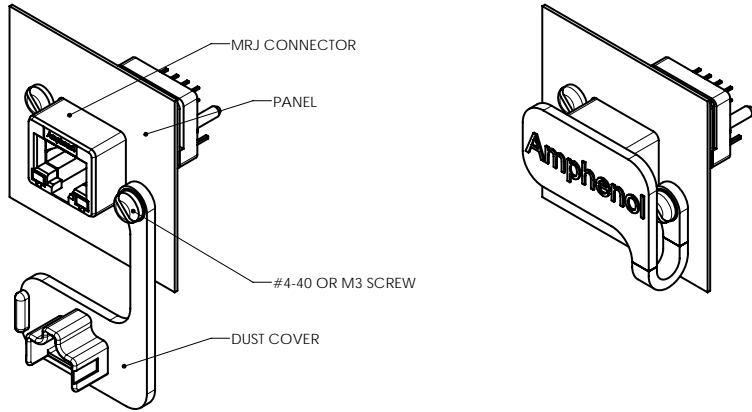
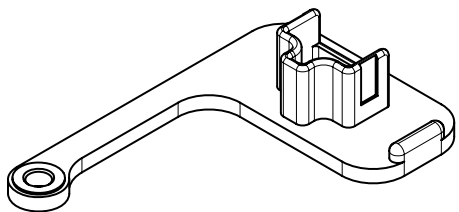
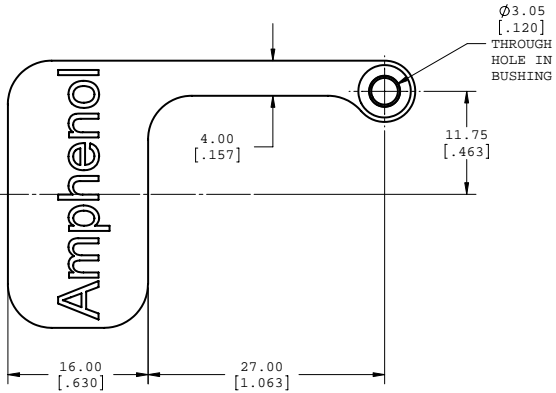
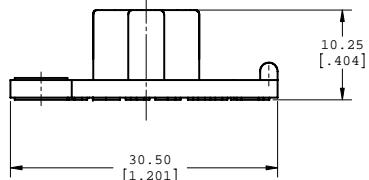
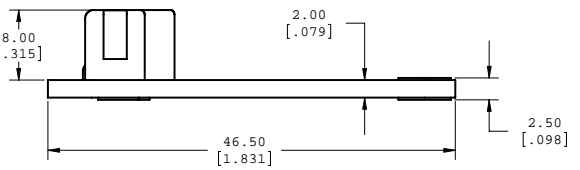


REVISIONS			
REV	ECN, ERN NO.	DATE	APPRD.
A	PRODUCT DRAWING	JUN28/07	K.L.
B	ADD MRJ-2586-20BP (EAR 13215)	FEB07/08	K.L.



AMPHENOL PART NUMBER	COVER COLOR
MRJ-2586-10BP	GREY
MRJ-2586-20BP	BLACK

NOTES:

- MATERIAL:
 - DUST COVER - SILICONE RUBBER, COLOR - SEE CHART.
 - BUSHING - BRASS, NICKEL PLATED.
- OPERATING TEMPERATURE: -40°C TO +105°C.
- PART IS ROHS COMPLIANT PER EU DIRECTIVE 2002/95/EC AND AMENDMENTS.
- PART SUPPLIED BULK PACKED.

TYPICAL APPLICATION MRJ CONNECTOR WITH DUST COVER
SCALE 2:1

DO NOT SCALE DRAWING
THIS DOCUMENT CONTAINS PROPRIETARY INFORMATION AND SUCH INFORMATION MAY NOT BE DISCLOSED TO OTHERS FOR ANY PURPOSE OR USED FOR MANUFACTURING PURPOSES WITHOUT PERMISSION FROM AMPHENOL CANADA CORP.

PROPRIETARY AND CONFIDENTIAL
THIS DOCUMENT CONTAINS PROPRIETARY INFORMATION AND SUCH INFORMATION MAY NOT BE DISCLOSED TO OTHERS FOR ANY PURPOSE OR USED FOR MANUFACTURING PURPOSES WITHOUT PERMISSION FROM AMPHENOL CANADA CORP.

UNLESS OTHERWISE SPECIFIED:		DATE:	Amphenol Canada Corp.
DIMENSIONS ARE IN MILLIMETERS		DRAWN: A.DODDS (A06/07)	
TOLERANCES:	FRACTIONS ±	DESIGNED:	TITLE: MRJ SERIES DUST COVER FOR RECEPTACLE CONNECTOR, INTERNAL STYLE, ROHS COMPLIANT
ANGULAR MATCH:	BEND ±	CHECKED: K.LAMBE (A06/07)	
TWO PLACE DECIMAL:	±	E. APPR'D:	SIZE: DWG. NO. C/P-MRJ-2586-X0BP
THREE PLACE DECIMAL:	±	C. A. APPR'D:	
NET WEIGHT:	±	ENG. DES. NO.: EAR F13132	REV: B
NET WEIGHT:	±	ENG. DES. NO.: EAR F13132	SCALE: 3:1
NET WEIGHT:	±	ENG. DES. NO.: EAR F13132	WEIGHT:
NET WEIGHT:	±	ENG. DES. NO.: EAR F13132	SHEET 1 OF 1