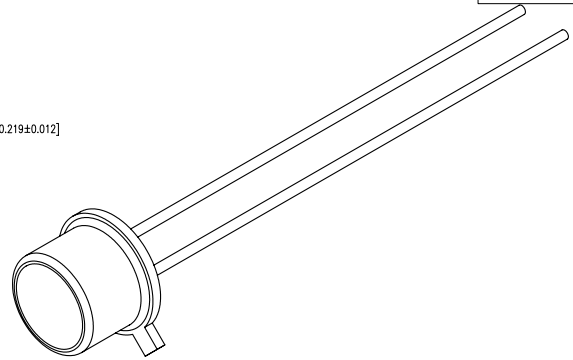
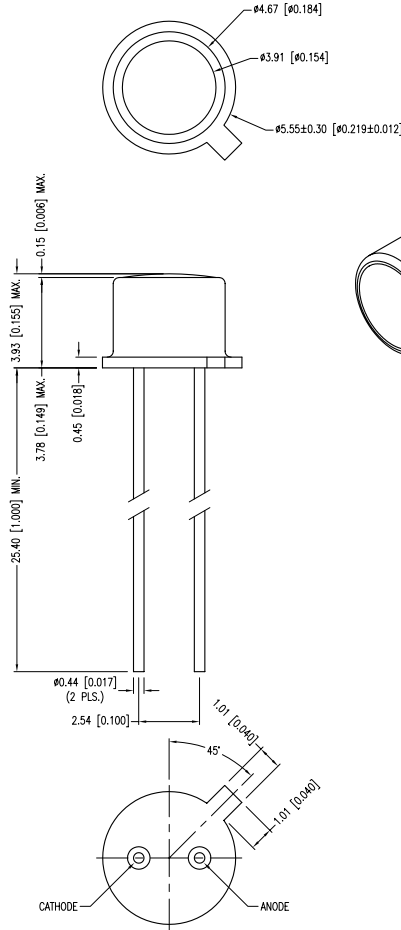


UNCONTROLLED DOCUMENT

PART NUMBER	SSL-LXT046UV2C	REV.	C
DATE	E.C.N. NUMBER AND REVISION COMMENTS		REV.
01.11.10	E.C.N. #11611.		A
06.28.11	E.C.N. #10BRDR. & REDRAWN.		B
09.19.11	E.C.N. #11755.		C



ELECTRO-OPTICAL CHARACTERISTICS TA = 25°C If = 20mA					
PARAMETER	MIN	TYP.	MAX	UNITS	TEST COND
PEAK WAVELENGTH	400	405	410	nm	
FORWARD VOLTAGE		3.7	4.0	Vf	
REVERSE VOLTAGE	5.0			Vr	If=1μA
TOTAL POWER OUTPUT	1.5	2.5		mW	If=20mA
VIEWING ANGLE		80		DEGREES	
EMITTED COLOR:	ULTRA VIOLET				
EPOXY LENS FINISH:	WATER CLEAR				

LIMITS OF SAFE OPERATION AT 25°C		
PARAMETER	MAX	UNITS
PEAK FORWARD CURRENT*	100	mA
STEADY CURRENT	50	mA
POWER DISSIPATION	200	mW
OPERATING TEMP.	-40 TO +100	°C
STORAGE TEMP.	-40 TO +100	°C
SOLDERING TEMP.	+260	°C
2.0mm FROM BODY	3	SEC. MAX.

THERMAL PARAMETERS		
PARAMETER	VALUE	UNITS
MAXIMUM JUNCTION TEMPERATURE	125	°C
THERMAL RESISTANCE JUNCTION-AIR	400	°C/W
THERMAL RESISTANCE JUNCTION-CASE	138	°C/W

CAUTION: STATIC SENSITIVE DEVICE
FOLLOW PROPER E.S.D. HANDLING PROCEDURES
WHEN WORKING WITH THIS PART.

*UNLESS OTHERWISE SPECIFIED TOLERANCES PER DECIMAL PRECISION ARE: X=±1 (±0.039), XX=±0.5 (±0.020), XXX=±0.25 (±0.010), XXXX=±0.127 (±0.005). LEAD SIZE=±0.05 (±0.002), LEAD LENGTH=±0.75 (±0.030). MIN.= +DECIMAL PRECISION MAX.= +0.00 -DECIMAL PRECISION

UNCONTROLLED DOCUMENT

LUMEX
Creating LED and LCD Solutions Together™

290 E. HELEN ROAD
PALATINE, IL 60067-6976
PHONE: +1.847.359.2790
FAX: +1.847.359.6538
WEB: WWW.LUMEX.COM

405nm UV LED, TO-46 CAN PACKAGE.

THE SPECIFICATIONS MAY CHANGE AT ANY TIME WITHOUT NOTICE DUE TO NEW MATERIALS OR PRODUCT IMPROVEMENT.

CONFIDENTIAL INFORMATION

THE INFORMATION CONTAINED IN THIS DOCUMENT IS THE PROPERTY OF LUMEX INC. EXCEPT AS SPECIFICALLY AUTHORIZED IN WRITING BY LUMEX INC., THE HOLDER OF THIS DOCUMENT SHALL KEEP ALL INFORMATION CONTAINED HEREIN CONFIDENTIAL AND SHALL PROTECT SAME IN WHOLE OR IN PART FROM DISCLOSURE AND DISSEMINATION TO ALL THIRD PARTIES.

DATE:	06.28.11	DRAWN BY:	AB
PAGE:	1 OF 1	CHKD BY:	KF
SCALE:	NTS	APRVD BY:	SS
UNIT:	mm [INCH]		