

PROTECTION PRODUCTS
Description

RailClamps are surge rated diode arrays designed to protect high speed data interfaces. The SRDA70-4 has been specifically designed to protect sensitive components which are connected to data and transmission lines from over-voltages caused by **ESD** (electrostatic discharge), **EFT** (electrical fast transients), and **lightning**.

The unique design of the SRDA70-4 integrates eight surge rated, low capacitance steering diodes in a low profile SO-8 package. During transient conditions, the steering diodes direct the transient to either the positive side of the power supply line or to ground. The SRDA70-4 may be used as a stand alone device or in conjunction with TVS diodes for enhanced protection.

The low capacitance array configuration allows the user to protect four high speed data or I/O lines. The low inductance construction minimizes voltage overshoot during high current surges.

Features

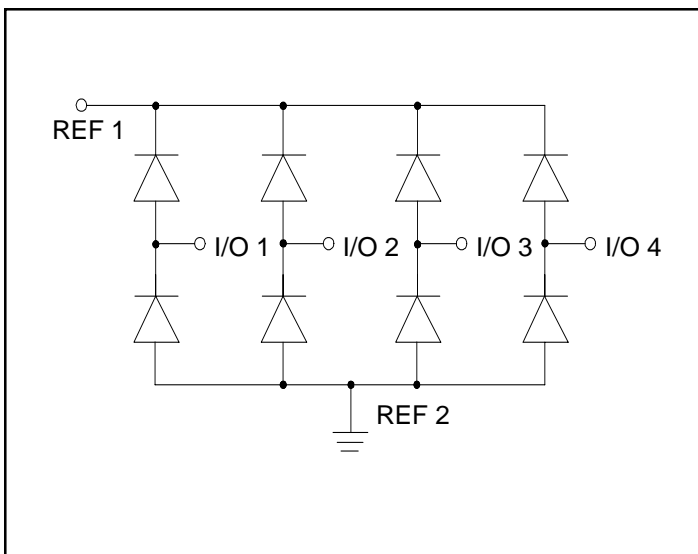
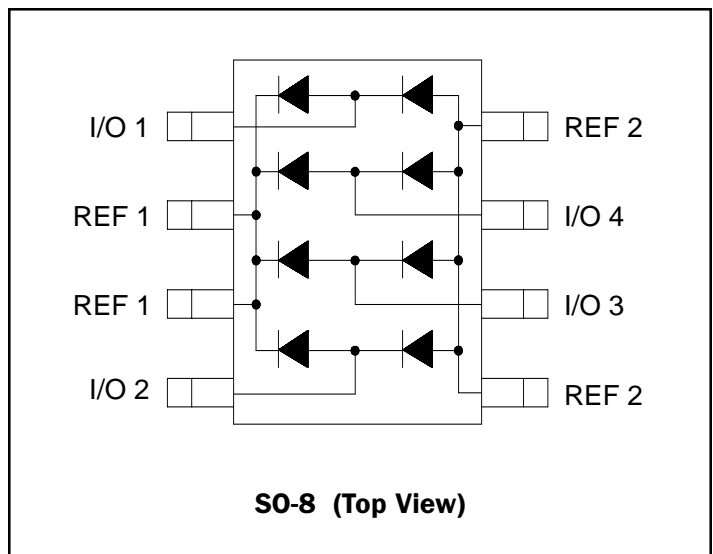
- ◆ Transient protection for high speed data lines to **IEC 61000-4-2 (ESD) 15kV (air), 8kV (contact)**
IEC 61000-4-4 (EFT) 40A (5/50ns)
IEC 61000-4-5 (Lightning) 1kV, 24A (8/20µs)
- ◆ Array of surge rated diodes
- ◆ Protects four I/O lines
- ◆ Low capacitance for high-speed interfaces
- ◆ High surge capability
- ◆ Low forward voltage characteristics
- ◆ Solid-state silicon avalanche technology

Mechanical Characteristics

- ◆ JEDEC SO-8 package
- ◆ UL 497B listed
- ◆ Molding compound flammability rating: UL 94V-0
- ◆ Marking : Part number, date code, logo
- ◆ Packaging : Tube or Tape and Reel per EIA 481

Applications

- ◆ Latch-Up Protection
- ◆ Microcontroller Input Protection
- ◆ Token Ring
- ◆ I²C Bus Protection
- ◆ Video Line Protection
- ◆ Set Top Box I/O
- ◆ LAN/WAN Equipment

Circuit Diagram

Schematic & PIN Configuration


PROTECTION PRODUCTS
Absolute Maximum Rating

Rating	Symbol	Value	Units
Peak Pulse Current (tp = 8/20μs)	I_{PP}	24	A
Rectifier Repetitive Peak Reverse Voltage	V_{RRM}	70	V
Thermal Resistance, Junction to Ambient	θ_{JA}	163	°C /W
Thermal Resistance, Junction to Case	θ_{JC}	38.8	°C /W
Lead Soldering Temperature	T_L	260 (10 sec.)	°C
Operating Temperature	T_J	-55 to +125	°C
Storage Temperature	T_{STG}	-55 to +150	°C

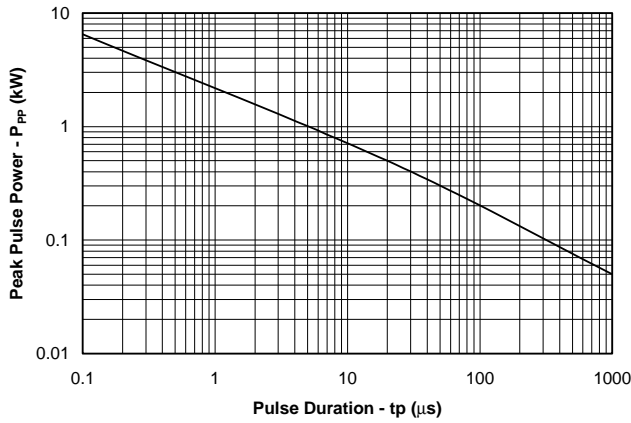
Electrical Characteristics

SRDA70-4						
Parameter	Symbol	Conditions	Minimum	Typical	Maximum	Units
Rectifier Repetitive Peak reverse Voltage	V_{RRM}				70	V
Reverse Breakdown Voltage	V_{BR}	$I_t = 50\mu A$	85			V
Reverse Leakage Current	I_R	$V_{RWM} = 70V, T=25^\circ C$			5	μA
Forward Voltage	V_F	$I_{PP} = 1A, t_p = 8/20\mu s$			1.3	V
Forward Voltage	V_F	$I_{PP} = 10A, t_p = 8/20\mu s$			3.3	V
Junction Capacitance	C_J	Between I/O pins and Gnd $V_R = 0V, f = 1MHz$			15	pF
		Between I/O pins $V_R = 0V, f = 1MHz$		4		pF

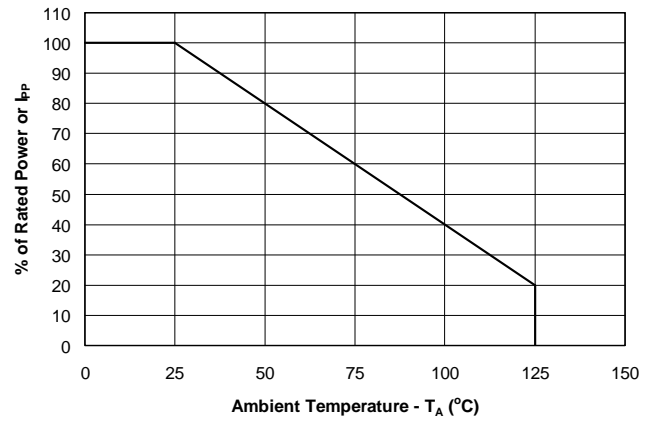
PROTECTION PRODUCTS

Typical Characteristics

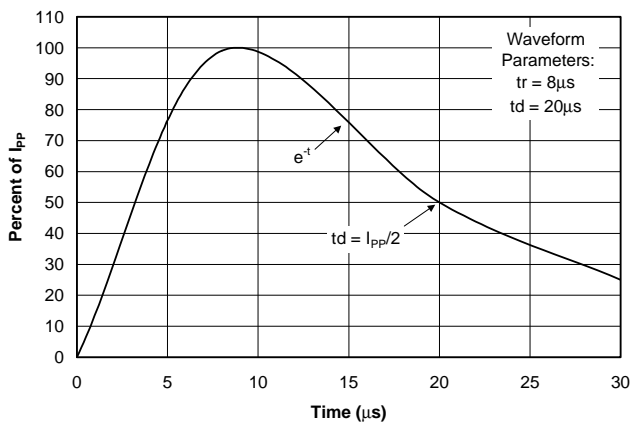
Non-Repetitive Peak Pulse Power vs. Pulse Time



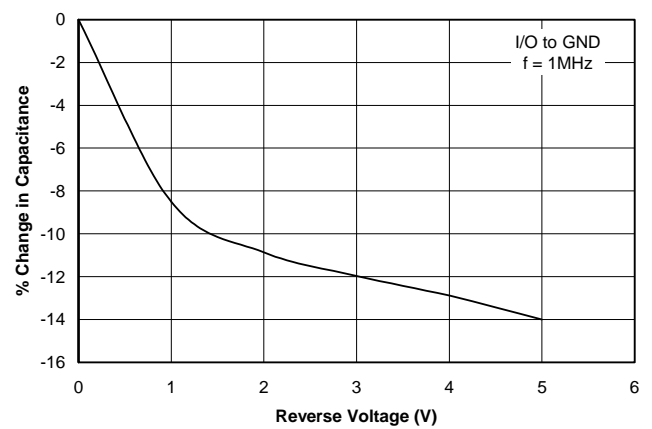
Power Derating Curve



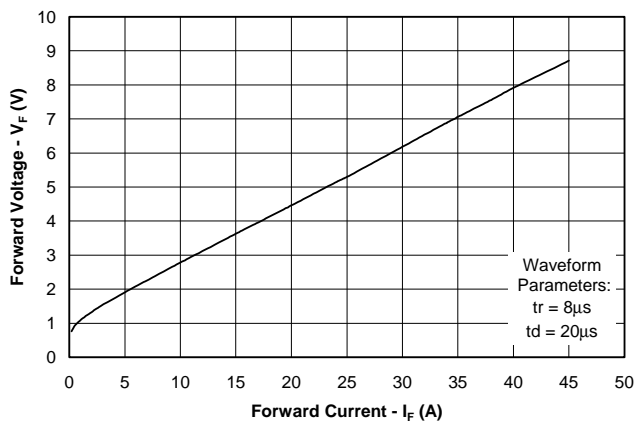
Pulse Waveform



Variation of Capacitance vs. Reverse Voltage



Foward Voltage vs. Forward Current



PROTECTION PRODUCTS

Applications Information

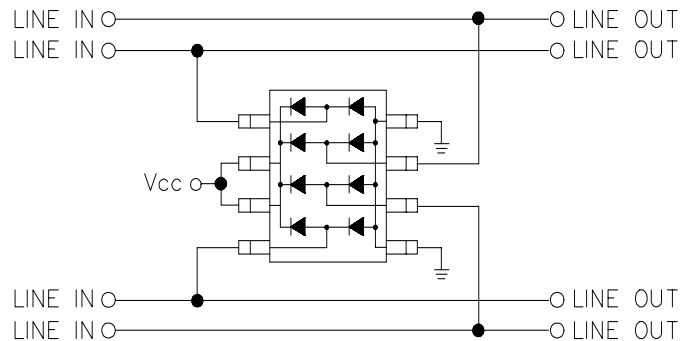
Device Connection Options for Protection of Four High-Speed Data Lines

The SRDA70-4 TVS is designed to protect four data lines from transient over-voltages by clamping them to a fixed reference. When the voltage on the protected line exceeds the reference voltage (plus diode V_f) the steering diodes are forward biased, conducting the transient current away from the sensitive circuitry. Data lines are connected at pins 1, 4, 6 and 7. The negative reference (REF2) is connected at pins 5 & 8. These pins should be connected directly to a ground plane on the board for best results. The path length is kept as short as possible to minimize parasitic inductance.

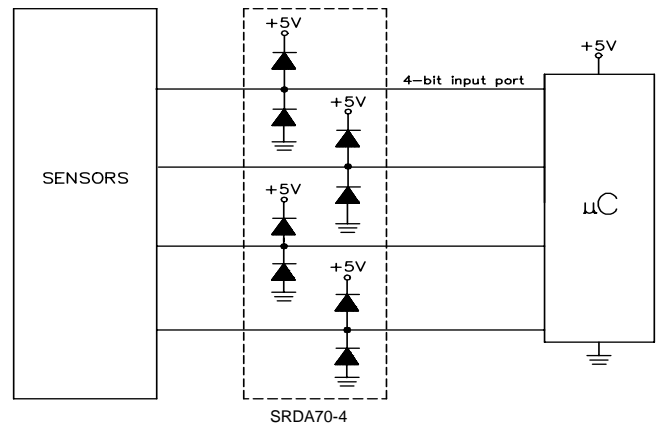
The positive reference (REF1) is connected at pins 2 & 3. The options for connecting the positive reference are as follows:

1. To protect data lines and the power line, connect pins 2 & 3 directly to the positive supply rail (V_{CC}). In this configuration the data lines are referenced to the supply voltage. An external TVS diode may be added between the supply rail and ground in order to prevent over-voltage on the supply rail.
2. The SRDA70-4 can be isolated from the power supply by adding a series resistor between pins 2 & 3 and V_{CC} . A value of $10k\Omega$ is recommended. The internal steering diodes remain biased, providing the advantage of lower capacitance.
3. In applications where no positive supply reference is available, or complete supply isolation is desired, an external TVS diode may be used as the reference. The steering diodes will begin to conduct when the voltage on the protected line exceeds the working voltage of the TVS (plus one diode drop).

I/O Protection

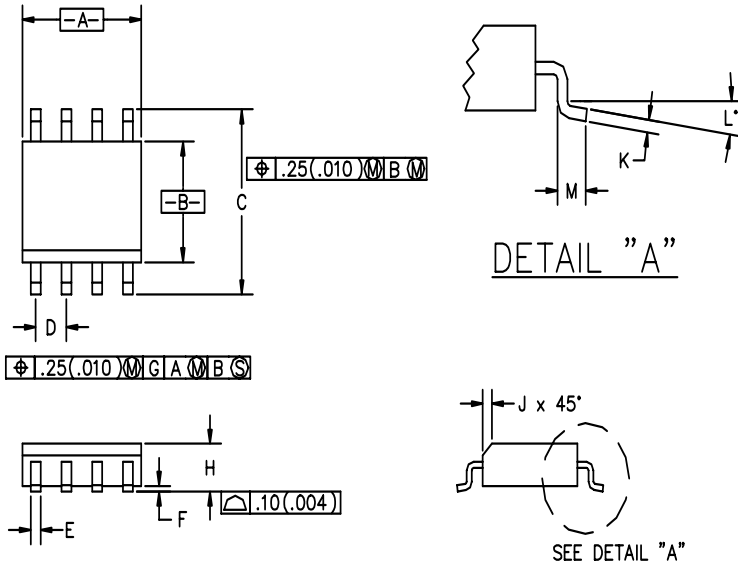


Microcontroller Protection



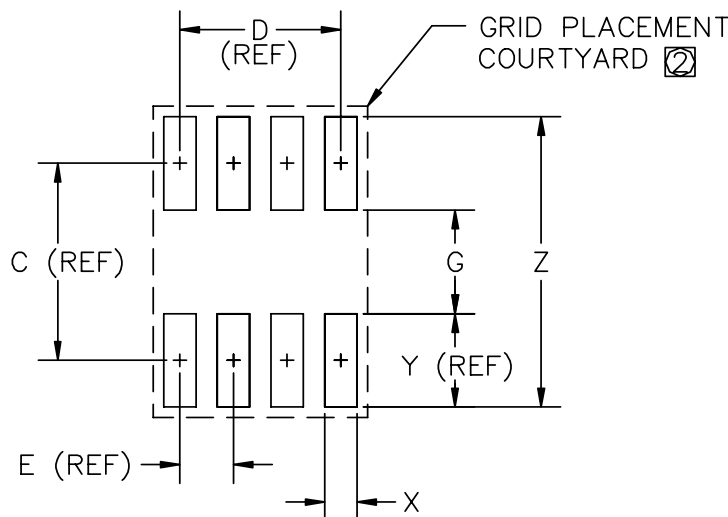
PROTECTION PRODUCTS

Outline Drawing - S0-8



DIM ^N	DIMENSIONS				NOTE
	INCHES		MM		
	MIN	MAX	MIN	MAX	
A	.188	.197	4.80	5.00	
B	.149	.158	3.80	4.00	
C	.228	.244	5.80	6.20	
D	.050	BSC	1.27	BSC	
E	.013	.020	0.33	0.51	
F	.004	.010	0.10	0.25	
H	.053	.069	1.35	1.75	
J	.011	.019	0.28	0.48	
K	.007	.010	.19	.25	
L	0°	8°	0°	8°	
M	.016	.050	0.40	1.27	

Land Pattern - S0-8



DIM ^N	DIMENSIONS ①				NOTE
	INCHES		MM		
	MIN	MAX	MIN	MAX	
C	—	.19	—	5.00	—
D	—	.15	—	3.81	—
E	—	.05	—	1.27	—
G	.10	.11	2.60	2.80	—
X	.02	.03	.60	.80	—
Y	—	.09	—	2.40	—
Z	—	.29	7.20	7.40	—

② GRID PLACEMENT COURTYARD IS 12x16 ELEMENTS (6 mm X 8mm) IN ACCORDANCE WITH THE INTERNATIONAL GRID DETAILED IN IEC PUBLICATION 97.

① CONTROLLING DIMENSION: MILLIMETERS

PROTECTION PRODUCTS**Ordering Information**

Part Number	Qty per Reel	Reel Size
SRDA70-4.TB	500	7 Inch
SRDA70-4.TE	2500	13 Inch

Contact Information

Semtech Corporation
Protection Products Division
652 Mitchell Rd., Newbury Park, CA 91320
Phone: (805)498-2111 FAX (805)498-3804