

**PLEASE CHECK WWW.MOLEX.COM FOR LATEST PART INFORMATION**

**Part Number:** [0956223882](#)  
**Status:** **Active**  
**Overview:** [modular\\_plugs\\_jacks](#)  
**Description:** Modular Jack,Right Angle,Throught Hole Version,LCP,Fully Shielded,8 ckt

**Documents:**

<a href="#">3D Model</a>	<a href="#">Product Specification PS-95622-001 (PDF)</a>
<a href="#">Drawing (PDF)</a>	<a href="#">RoHS Certificate of Compliance (PDF)</a>
<a href="#">Application Specification (PDF)</a>	

**Agency Certification**

UL E107635

**General**

Product Family	Modular Jacks/Plugs
Series	<a href="#">95622</a>
Component Type	PCB Jack
Magnetic	No
Overview	<a href="#">modular_plugs_jacks</a>
Performance Category	3
Power over Ethernet (PoE)	N/A
Product Name	RJ45

**Physical**

Boot Color	N/A
Color - Resin	Black
Durability (mating cycles max)	500
Flammability	94V-0
Inverted / Top Latch	No
Keying to Mating Part	None
Lightpipes/LEDs	None
Material - Metal	Brass, Phosphor Bronze
Material - Plating Mating	Gold
Material - Plating Termination	Tin
Material - Resin	High Temperature Thermoplastic
Orientation	Right Angle (Side Entry)
PCB Locator	Yes
PCB Retention	Yes
PCB Thickness Recommended (in)	0.062 In
PCB Thickness Recommended (mm)	1.57 mm
Packaging Type	Tray
Pitch - Mating Interface (in)	0.040 In
Pitch - Mating Interface (mm)	1.02 mm
Pitch - Term. Interface (in)	0.050 In
Pitch - Term. Interface (mm)	1.27 mm
Plating min: Mating (µin)	120.00, 50.8
Plating min: Mating (µm)	1.27, 3.000
Plating min: Termination (µin)	120.00, 76
Plating min: Termination (µm)	1.9, 3.00
Ports	1
Positions / Loaded Contacts	8/8
Surface Mount Compatible (SMC)	Yes
Temperature Range - Operating	-40°C to +80°C
Termination Interface: Style	Through Hole
Waterproof / Dustproof	No
Wire/Cable Type	N/A

**EU RoHS**

**ELV and RoHS  
Compliant**

**REACH SVHC**

**Contains SVHC: No**

**Halogen-Free**

**Status**

**Halogen-Free**

**Need more information on product environmental compliance?**

Email [productcompliance@molex.com](mailto:productcompliance@molex.com)  
 For a multiple part number RoHS Certificate of Compliance, [click here](#)

Please visit the [Contact Us](#) section for any non-product compliance questions.

**China RoHS**



**Search Parts in this Series**

[95622Series](#)

**Mates With**

FCC 68 Plugs

**Electrical**

Current - Maximum per Contact	1.5A
Grounding to PCB	Yes
Grounding to Panel	Yes
Shielded	Yes
Voltage - Maximum	125V AC (RMS)

**Solder Process Data**

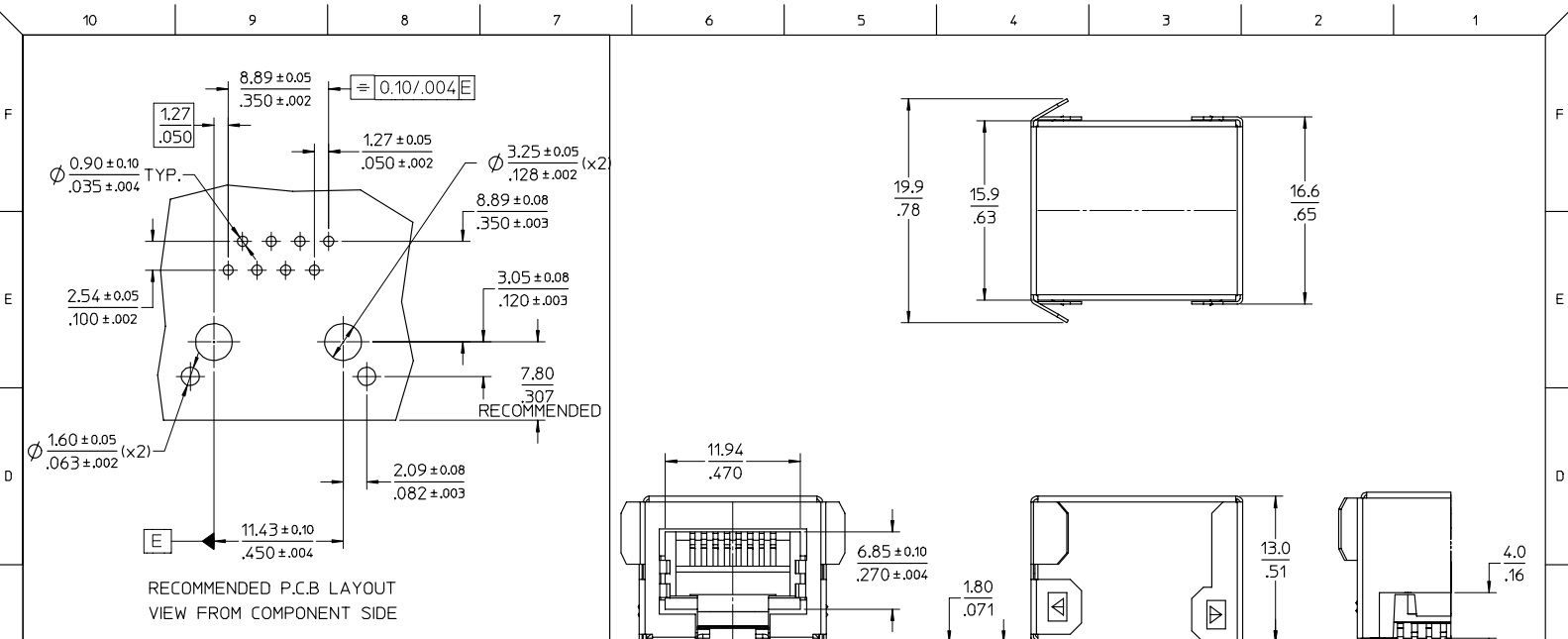
Duration at Max. Process Temperature (seconds)	45
Lead-free Process Capability	Wave Capable (TH only)
Max. Cycles at Max. Process Temperature	1
Process Temperature max. C	260

**Material Info****Reference - Drawing Numbers**

Product Specification	PS-95622-001
Sales Drawing	SD-95622-004
Test Summary	STR-1162

This document was generated on 06/07/2010

**PLEASE CHECK [WWW.MOLEX.COM](http://WWW.MOLEX.COM) FOR LATEST PART INFORMATION**



RECOMMENDED P.C.B LAYOUT  
VIEW FROM COMPONENT SIDE

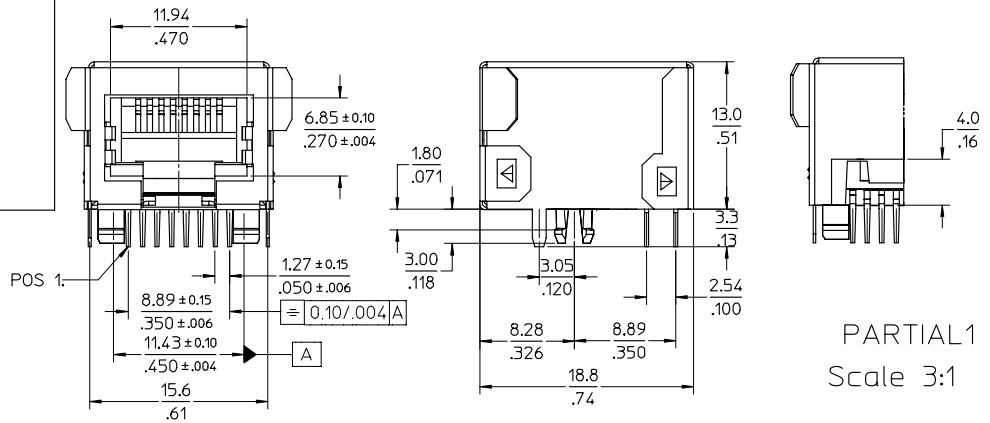
**TECHNICAL SPECIFICATIONS:**

**MATERIAL:**

HOUSING: LCP GLASS FILLED UL 94V-0  
COLOUR BLACK.  
TERMINAL: PHOSPHOR BRONZE PLATED WITH:  
0.00127/0.00050 MIN. GOLD IN CONTACT AREA,  
0.00190/0.00075 MIN. PURE TIN IN TAIL AREA,  
BOTH OVER 0.00127/0.00050 MIN NICKEL OVERALL  
SHIELD: BRASS PLATED WITH 0.0020/0.00078 MIN.TIN

**NOTES:**

- 1- JACK FOR MATING WITH SHIELDED PLUG  
MOLEX 95043 AND 85568 SERIES.
- 2- PRODUCT SPECIFICATION: MOLEX PS-95622.
- 3- P.C.B. THICKNESS: 1.57/.062
- 4- PACKAGING SPECIFICATION: MOLEX PK-95122.



PARTIAL 1  
Scale 3:1

CREATED MODELS UPDATED VIEWS EC NOS: E2007-0096 2006/07/28 D.BYRNES CHIKO 2006/07/28 APPR: EOMAHONY 2006/08/01	QUALITY SYMBOLS ▽=0 ▽=0	GENERAL TOLERANCES (UNLESS SPECIFIED)		DIMENSION STYLE		SCALE	DESIGN UNITS	THIRD ANGLE PROJECTION		
				MM/IN		3:1	METRIC			
				DRAWN BY DATE		TITLE				
				CHECKED BY DATE		FULLY SHIELDED R/A MODULAR JACK 8 CKTS THROUGH HOLE-VERSION LCP				
		APPROVED BY DATE		MATERIAL NO.		DOCUMENT NO.		SHEET NO.		
		ANGULAR ± 2 °		95622-3882		SD-95622-004		1 OF 1		
		DRAFT WHERE APPLICABLE MUST REMAIN WITHIN DIMENSIONS		THIS DRAWING CONTAINS INFORMATION THAT IS PROPRIETARY TO MOLEX INCORPORATED AND SHOULD NOT BE USED WITHOUT WRITTEN PERMISSION						